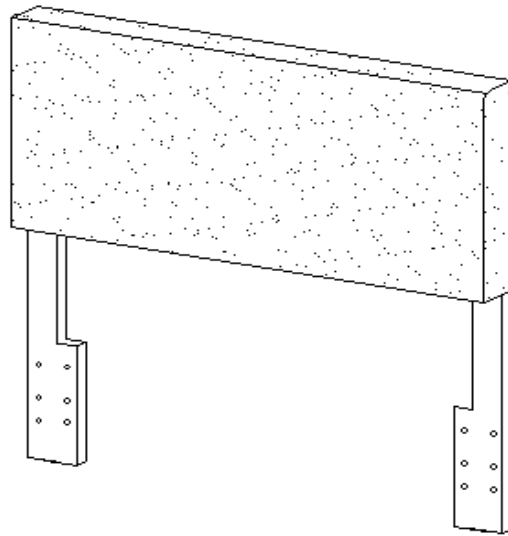


ASSEMBLY INSTRUCTIONS
COASTER FINE FURNITURE



Fine Furniture for every stage of life

316031QF
Queen/Full Headboard

ASSEMBLY INSTRUCTIONS

ASSEMBLY TIPS:

1. Remove hardware from box and sort by size.
2. Please check to see that all hardware and parts are present prior to start of assembly.
3. Please follow attached instructions in the same sequence as numbered to assure fast & easy assembly.



WARNING!

1. Don't attempt to repair or modify parts that are broken or defective. Please contact the store immediately.
2. This product is for home use only and not intended for commercial establishments.



ASSEMBLY TIME

20 MINUTES

PARTS IDENTIFICATION

A	HEADBOARD PANEL		1PC
B	RIGHT HEADBOARD LEG		1PC
C	LEFT HEADBOARD LEG		1PC

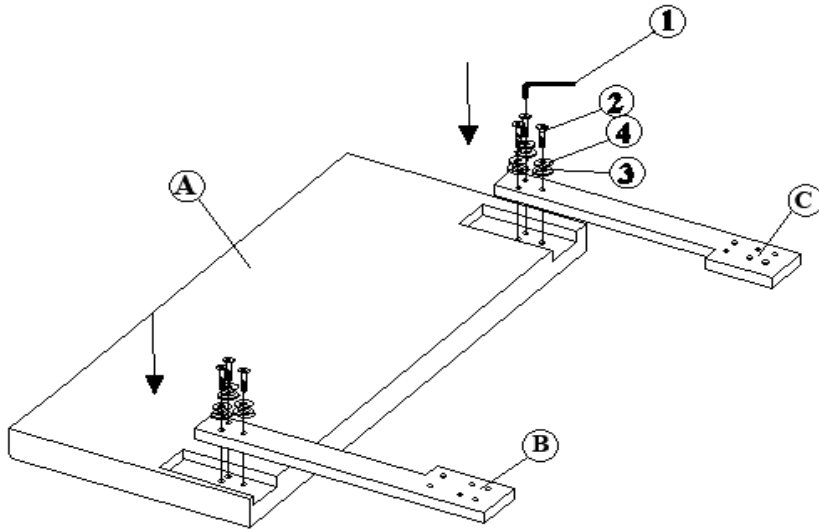
HARDWARE IDENTIFICATION

1	ALLEN WRENCH (M4-BLK)		1PC
2	SHORT BOLT (M6 x 40mm-RBW)		6PCS
3	FLAT WASHER (M6-RBW)		18PCS
4	LOCK WASHER (M6 - RBW)		18PCS
5	HEX NUT		6PCS
6	WRENCH		1PC
7	LONG BOLT (M6 x 45mm - BLK)		6PCS

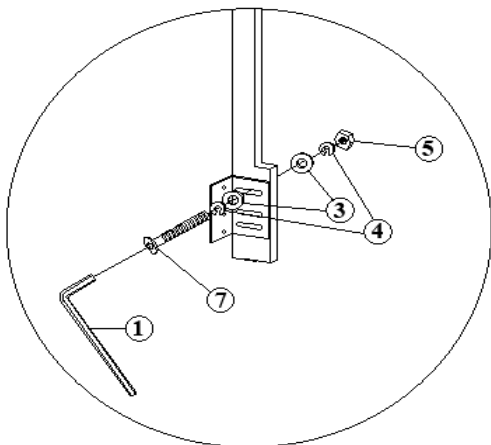
ITEM: **316031QF**



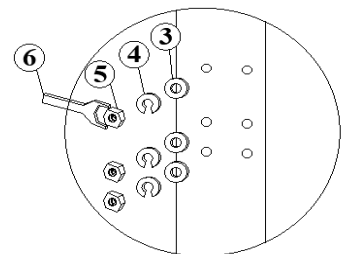
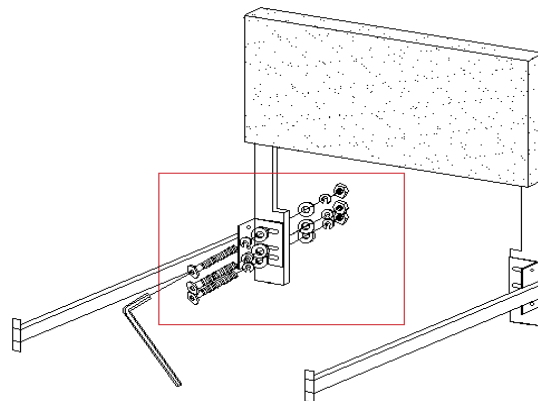
ASSEMBLY INSTRUCTIONS
STEP 1



STEP 2

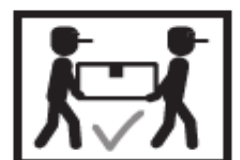
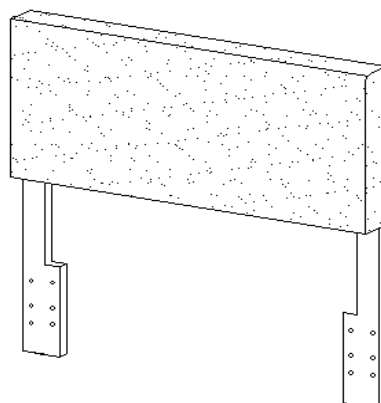


FRONT VIEW

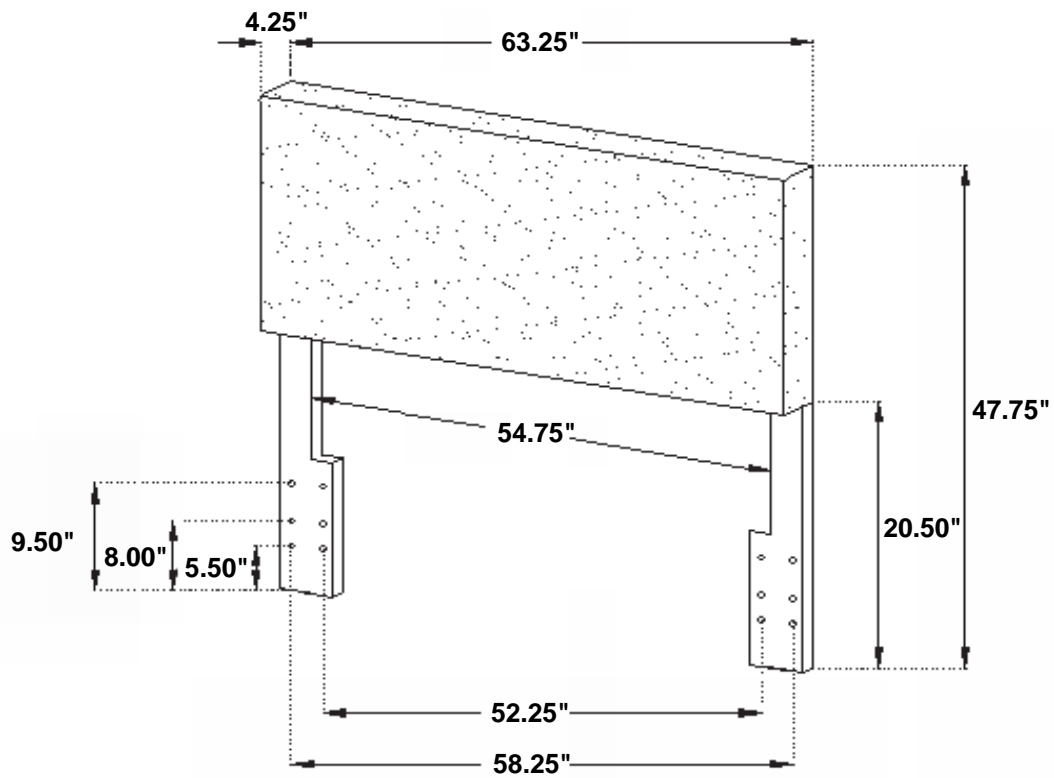


BACK VIEW

STEP 3
COMPLETE



ITEM: **316031QF**



Note: Dimension tolerance $\pm 5\%$