

ASSEMBLY INSTRUCTIONS  
COASTER FINE FURNITURE



*Fine Furniture for every stage of life*

100612  
***Dining Chair***

ITEM: **100612**



## ASSEMBLY INSTRUCTIONS

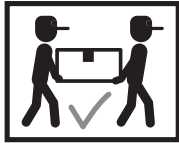
### ASSEMBLY TIPS:

1. Remove hardware from box and sort by size.
2. Please check to see that all hardware and parts are present prior to start of assembly.
3. Please follow attached instructions in the same sequence as numbered to assure fast & easy assembly.



### WARNING!

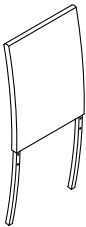
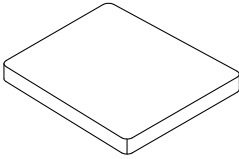
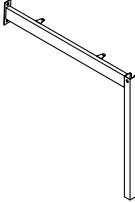
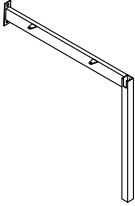
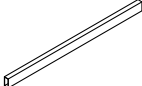
1. Don't attempt to repair or modify parts that are broken or defective. Please contact the store immediately.
2. This product is for home use only and not intended for commercial establishments.



ASSEMBLY TIME

20 MINUTES

## PARTS IDENTIFICATION

A	CHAIR BACK		2PCS
B	CUSHION SEAT		2PCS
C	LEFT LEG		2PCS
D	RIGHT LEG		2PCS
E	FRONT STRETCHER		2PCS


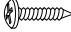

### NOTE:

Phillips head screw driver is required in the assembly process; however, manufacturer does not provide this item.

ITEM: **100612**



## HARDWARE IDENTIFICATION

1	<b>BOLT</b> (1/4 x 16mm - BLK)		12PCS
2	<b>SPRING WASHER</b> (M5 x 15mm - BLK)		8PCS
3	<b>ALLEN WRENCH</b> (1/4 x 64 x 22mm - BLK)		1PC

**NOTE:**

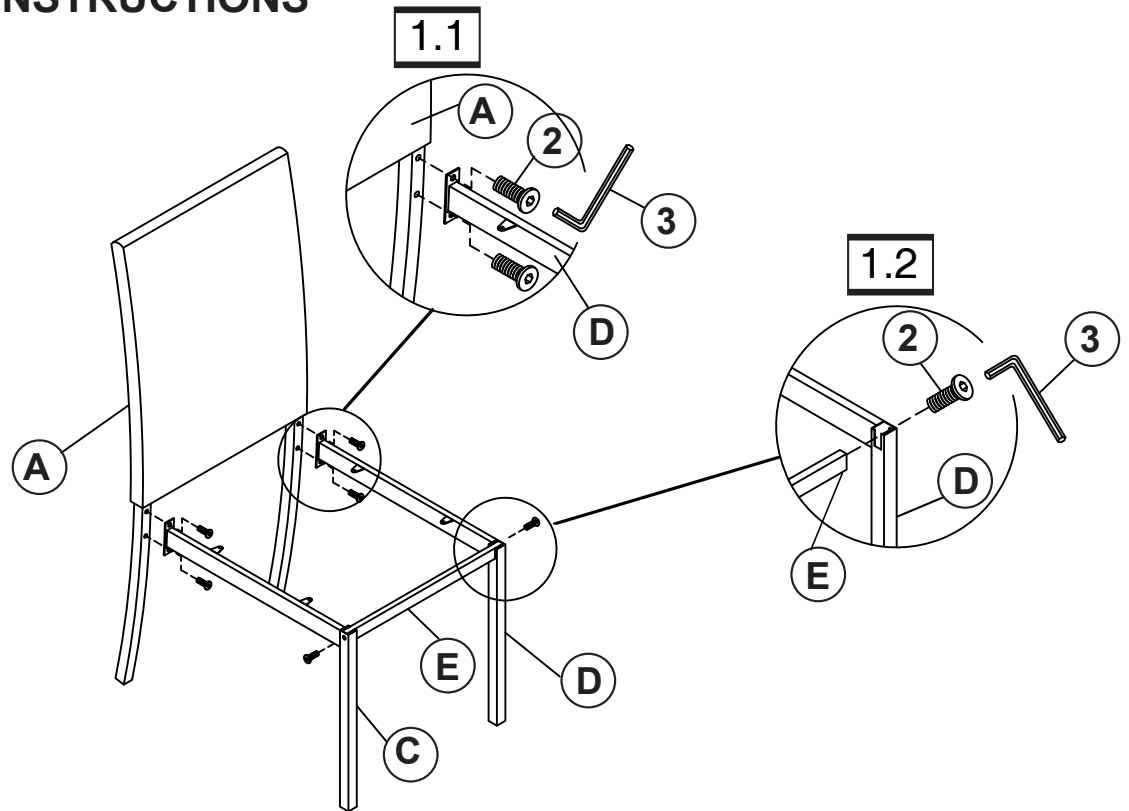
Phillips head screw driver is required in the assembly process; however, manufacturer does not provide this item.

ITEM: **100612**

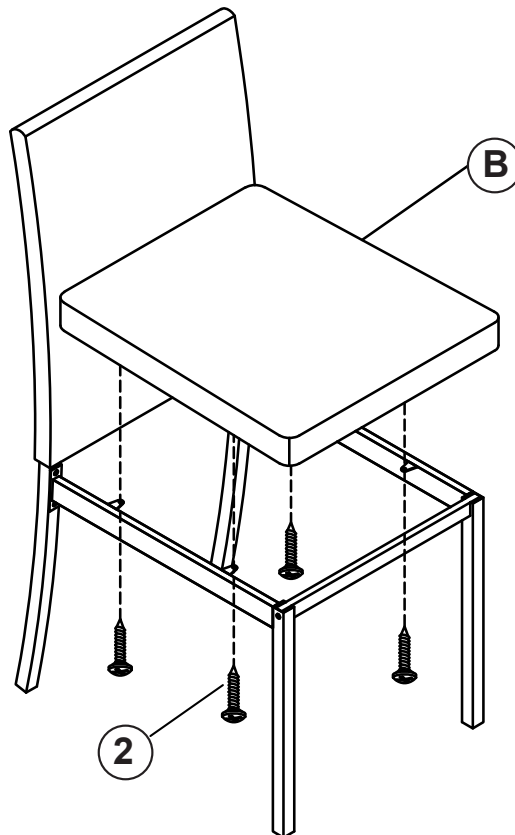


**ASSEMBLY INSTRUCTIONS**

**STEP 1**



**STEP 2**



ITEM: 100612



ASSEMBLY INSTRUCTIONS

STEP 3

COMPLETE

