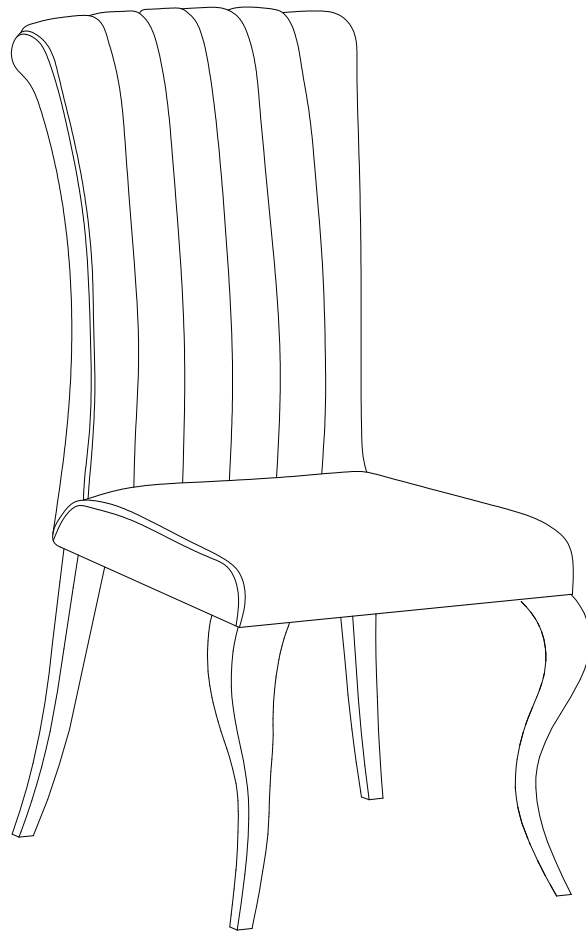


**ASSEMBLY INSTRUCTIONS**  
**COASTER FINE FURNITURE**



*Fine Furniture for every stage of life*

**105072(B1-B2)**  
**Dining Chair**

ITEM: **105072(B1-B2)**

## ASSEMBLY INSTRUCTIONS

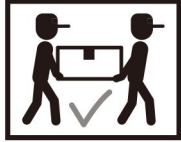
### ASSEMBLY TIPS:

1. Remove hardware from box and sort by size.
2. Please check to see that all hardware and parts are present prior to start of assembly.
3. Please follow attached instructions in the same sequence as numbered to assure fast & easy assembly.



### WARNING!

1. Don't attempt to repair or modify parts that are broken or defective. Please contact the store immediately.
2. This product is for home use only and not intended for commercial establishments.



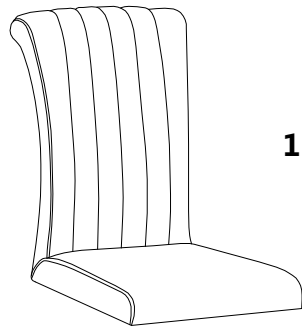
ASSEMBLY TIME

5 MINUTES

## PARTS IDENTIFICATION

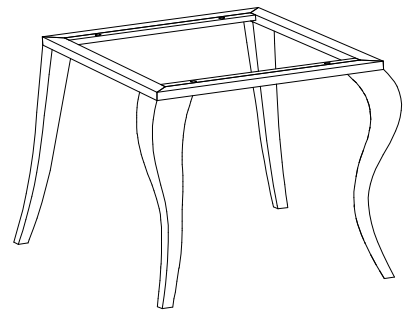
### B1(BOX 1)

A SEAT AND BACK



1PC

B BASE

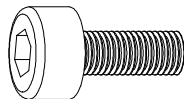


1PC

## Z HARDWARE IDENTIFICATION

### B2(BOX 2)-HARDWARE PACK IS LOCATED IN 105072(B2)

1 BOLTS M6\*25



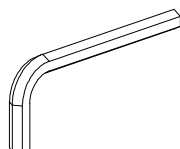
4PCS

2 FLAT WASHER Ø6\*16



4PCS

3 ALLEN WRENCH 4MM



1PC

# ITEM: 105072(B1-B2)

## ASSEMBLY INSTRUCTIONS



### STEP 1

