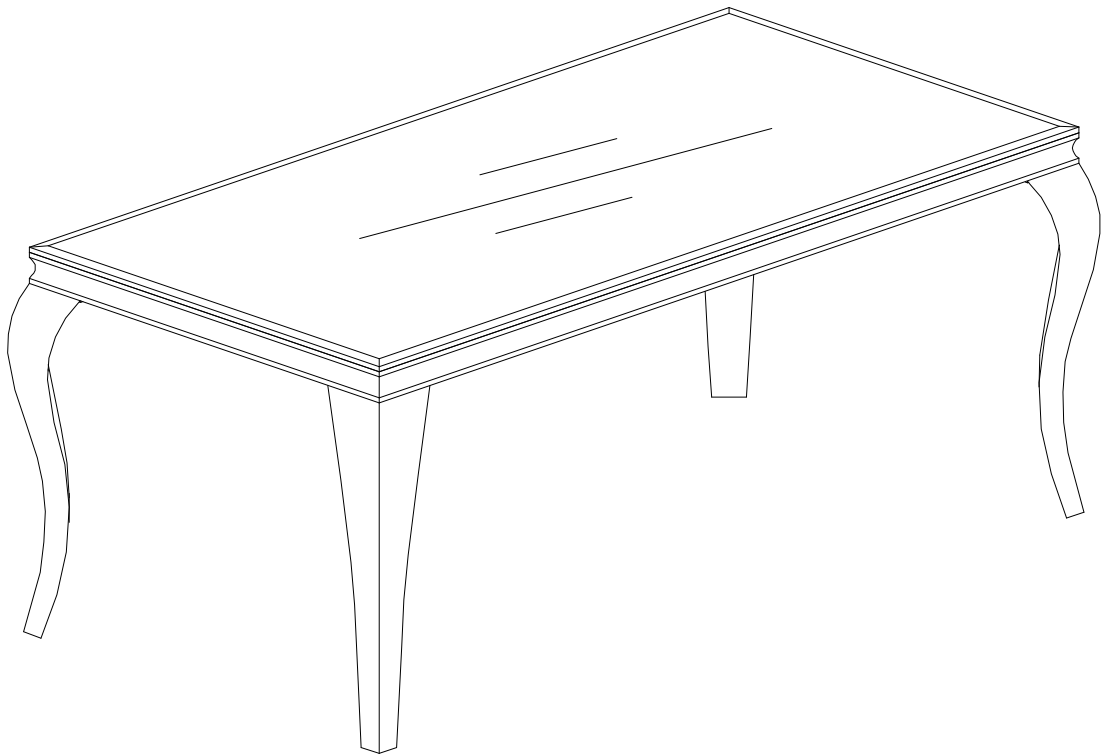


**ASSEMBLY INSTRUCTIONS**  
**COASTER FINE FURNITURE**



*Fine Furniture for every stage of life*

**115091(B1-B3)**  
**Dining Table**

# ITEM: 115091(B1-B3)

## ASSEMBLY INSTRUCTIONS

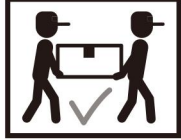
### ASSEMBLY TIPS:

1. Remove hardware from box and sort by size.
2. Please check to see that all hardware and parts are present prior to start of assembly.
3. Please follow attached instructions in the same sequence as numbered to assure fast & easy assembly.



### WARNING!

1. Don't attempt to repair or modify parts that are broken or defective. Please contact the store immediately.
2. This product is for home use only and not intended for commercial establishments.



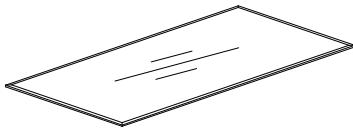
ASSEMBLY TIME

10 MINUTES

## PARTS IDENTIFICATION

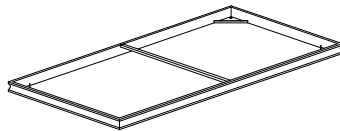
### B1(BOX 1)

A GLASS



1PC

B TOP FRAME



1PC

C LEG

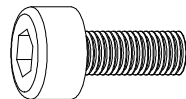


4PCS

## Z HARDWARE IDENTIFICATION

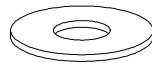
### B3(BOX 3)-HARDWARE PACK IS LOCATED IN 115091(B3)

1 BOLTS M10\*12



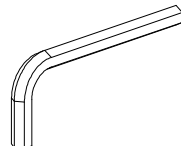
12PCS

2 FLAT WASHER Ø10\*20



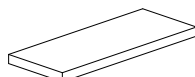
12PCS

3 ALLEN WRENCH 8MM



1PC

4 GLASS REST

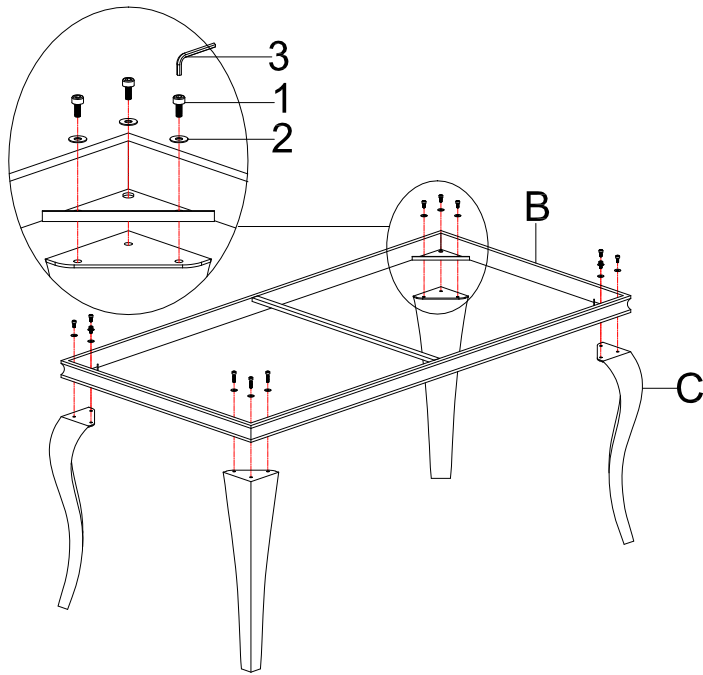


8PCS

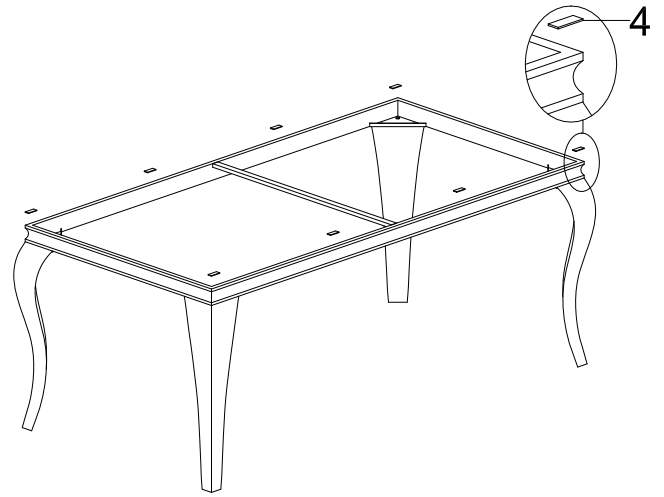
# ITEM: 115091(B1-B3)

## ASSEMBLY INSTRUCTIONS

### STEP1



### STEP2



### STEP3

