

ASSEMBLY INSTRUCTIONS
COASTER FINE FURNITURE



Fine Furniture for every stage of life

190911 (B1 & B2)
Dining Table

ITEM: 190911 (B1 & B2)

ASSEMBLY INSTRUCTIONS

ASSEMBLY TIPS:

1. Remove hardware from box and sort by size.
2. Please check to see that all hardware and parts are present prior to start of assembly.
3. Please follow attached instructions in the same sequence as numbered to assure fast & easy assembly.



WARNING!

1. Don't attempt to repair or modify parts that are broken or defective. Please contact the store immediately.
2. This product is for home use only and not intended for commercial establishments.



ASSEMBLY TIME

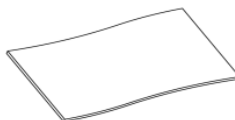
15 MINUTES

PARTS IDENTIFICATION

B1 (BOX 1)

A

TOP



1PC

B2 (BOX 2)

B

LEG



4PCS

HARDWARE IDENTIFICATION

Z-B2 (BOX 2) - HARDWARE PACK IS LOCATED IN 190911 (B2)

1

BOLT
(M8 x 25mm - BLK)



12PCS

2

FLAT WASHER
(10 x 20mm - BLK)



12PCS

3

ALLEN WRENCH
(5mm - BLK)

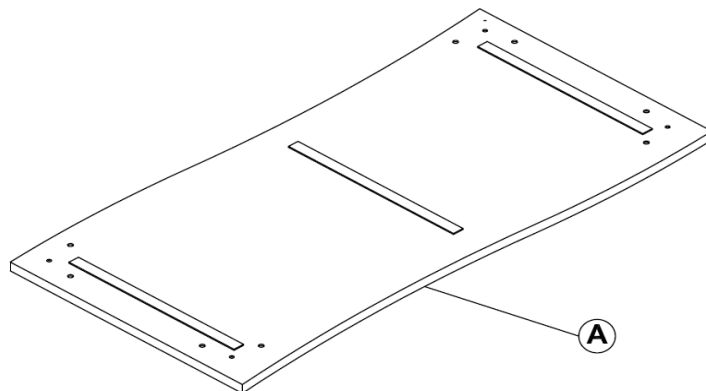


1PC

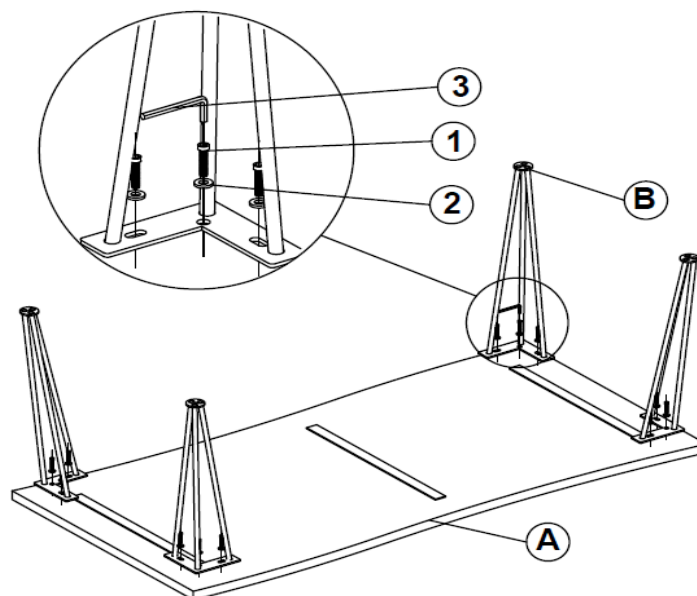
ITEM: 190911 (B1 & B2)

ASSEMBLY INSTRUCTIONS

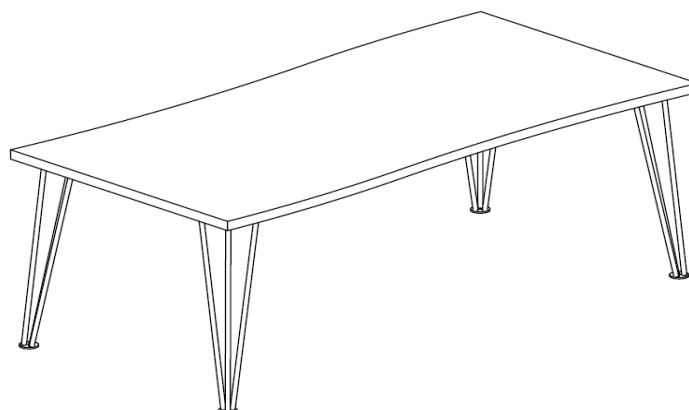
STEP 1



STEP 2

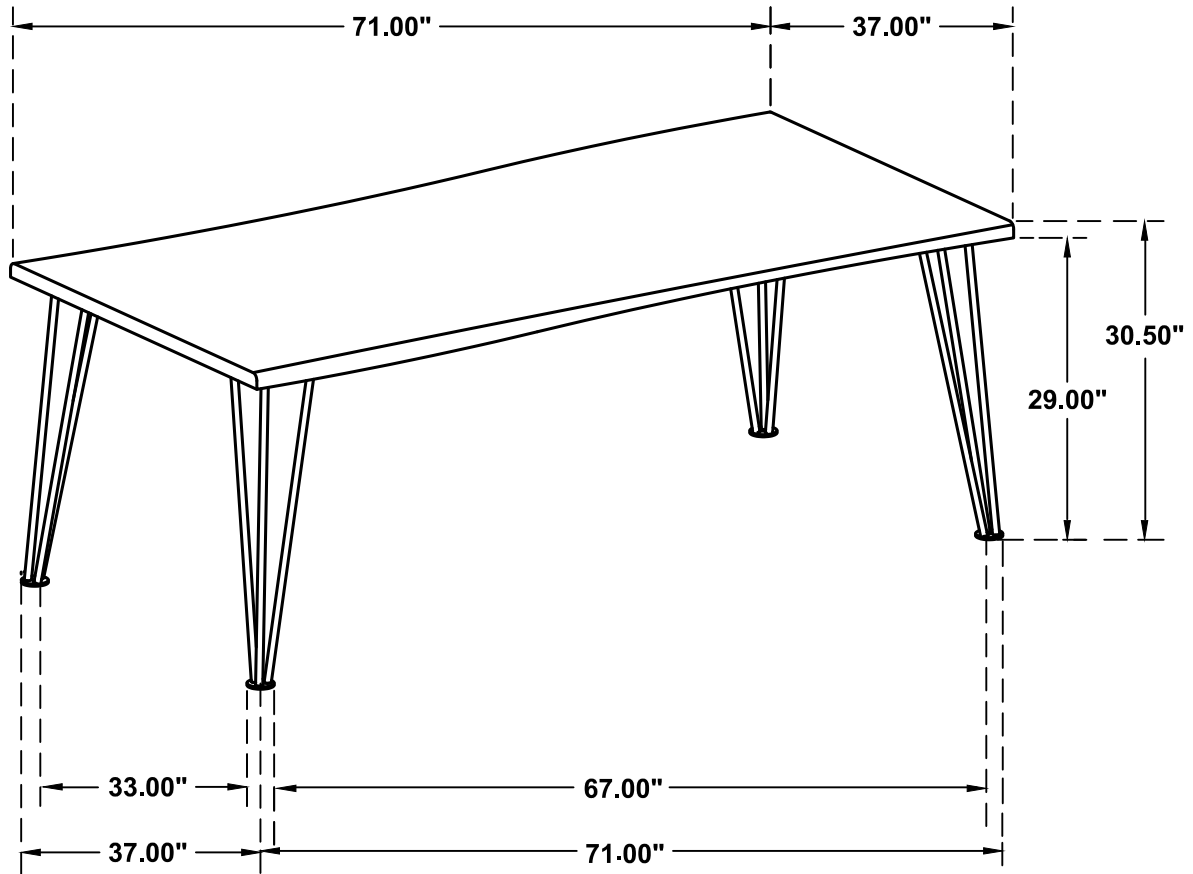


STEP 3
COMPLETE



ITEM:190911(B1&B2)

COASTER
FINE FURNITURE



Note : Dimension tolerance $\pm 5\%$