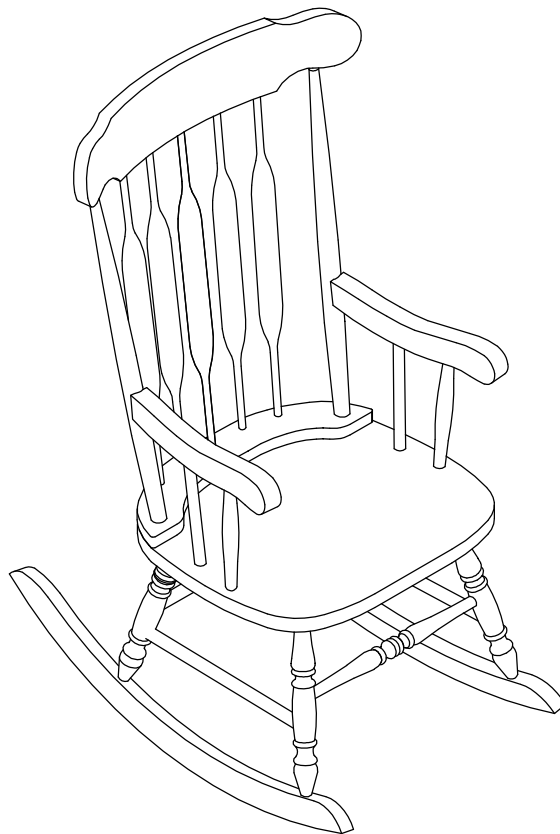


**ASSEMBLY INSTRUCTIONS**  
**COASTER FINE FURNITURE**



*Fine Furniture for every stage of life*

**600174**  
**Rocking Chair**

ITEM: **600174**



## ASSEMBLY INSTRUCTIONS

### ASSEMBLY TIPS:

1. Remove hardware from box and sort by size.
2. Please check to see that all hardware and parts are present prior to start of assembly.
3. Please follow attached instructions in the same sequence as numbered to assure fast & easy assembly.



### WARNING!

1. Don't attempt to repair or modify parts that are broken or defective. Please contact the store immediately.
2. This product is for home use only and not intended for commercial establishments.



ASSEMBLY TIME

15 MINUTES

## PARTS IDENTIFICATION

A	BACKREST		1PC	F	SEAT		1PC
B	LEFT ARMREST		1PC	G	BACK STRETCHER		1PC
C	RIGHT ARMREST		1PC	H	FRONT STRETCHER		1PC
D	LEFT LEG FRAME		1PC				
E	RIGHT LEG FRAME		1PC				

## HARDWARE IDENTIFICATION

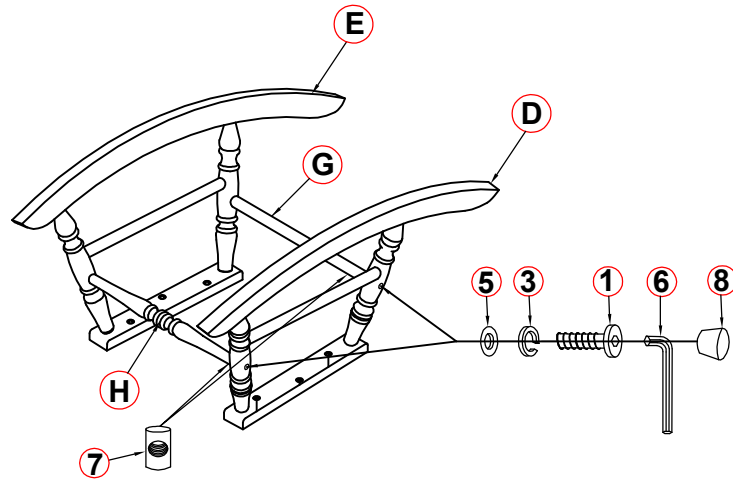
1	LONG BOLT (Ø 1/4" x 60mm - RBW)		8PCS	5	SMALL FLAT WASHER (Ø 1/4" - RBW)		15PCS
2	SHORT BOLT (Ø 1/4" x 40mm - RBW)		9PCS	6	ALLEN WRENCH (4MM - RBW)		1PC
3	LOCK WASHER (Ø 1/4" - RBW)		17PCS	7	BARREL NUT (Ø 1/4" - RBW)		6PCS
4	BIG FLAT WASHER (Ø 1/4" - RBW)		2PCS	8	WOOD PLUG (1/2")		9PCS

ITEM: **600174**

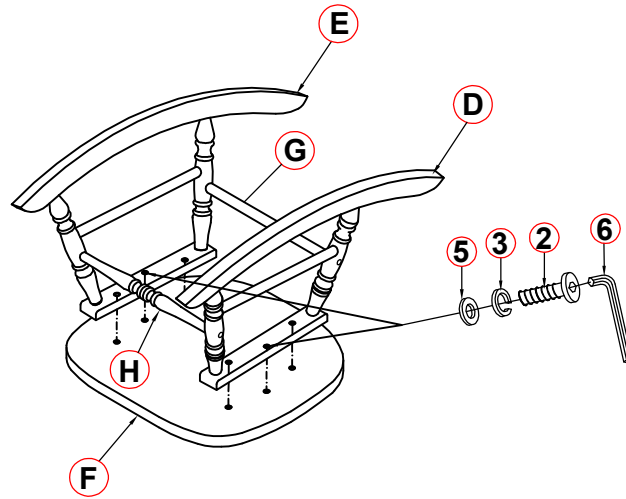


# ASSEMBLY INSTRUCTIONS

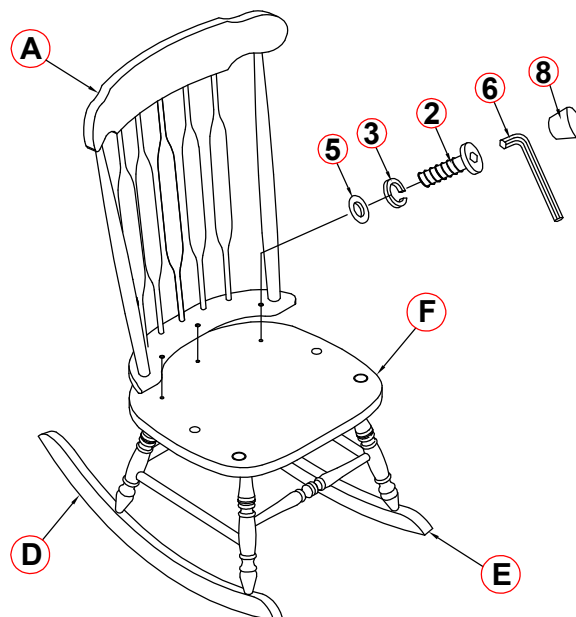
## STEP 1



## STEP 2



## STEP 3

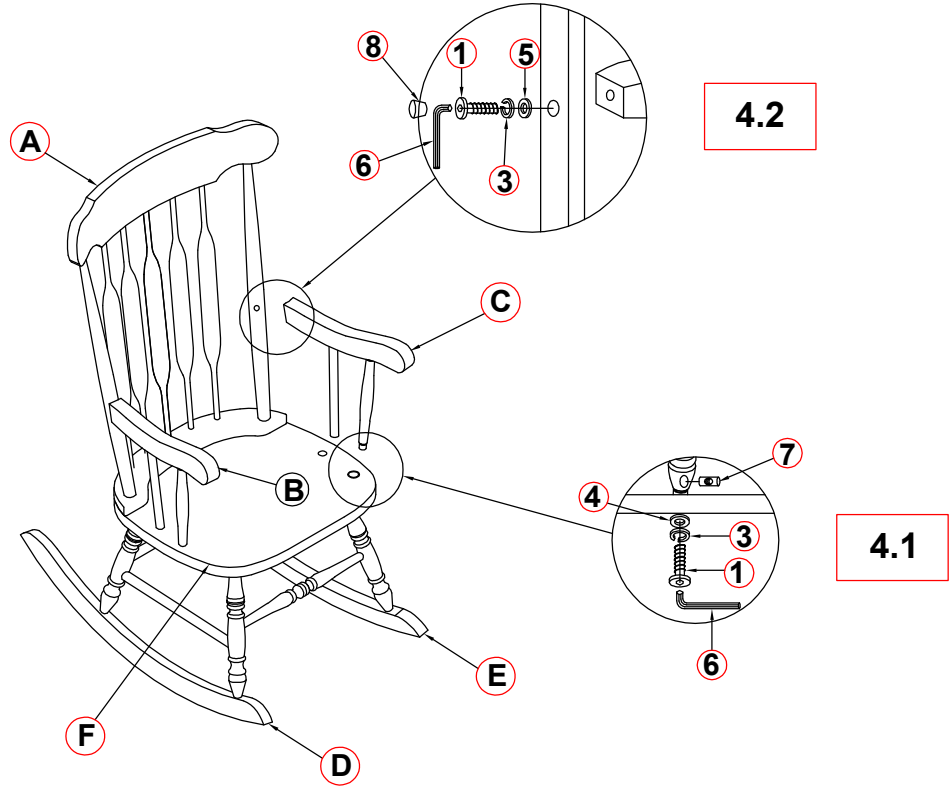


ITEM: **600174**

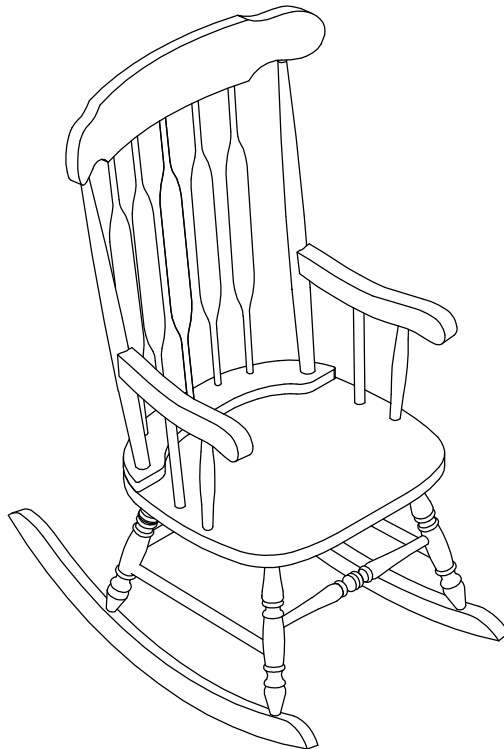


**ASSEMBLY INSTRUCTIONS**

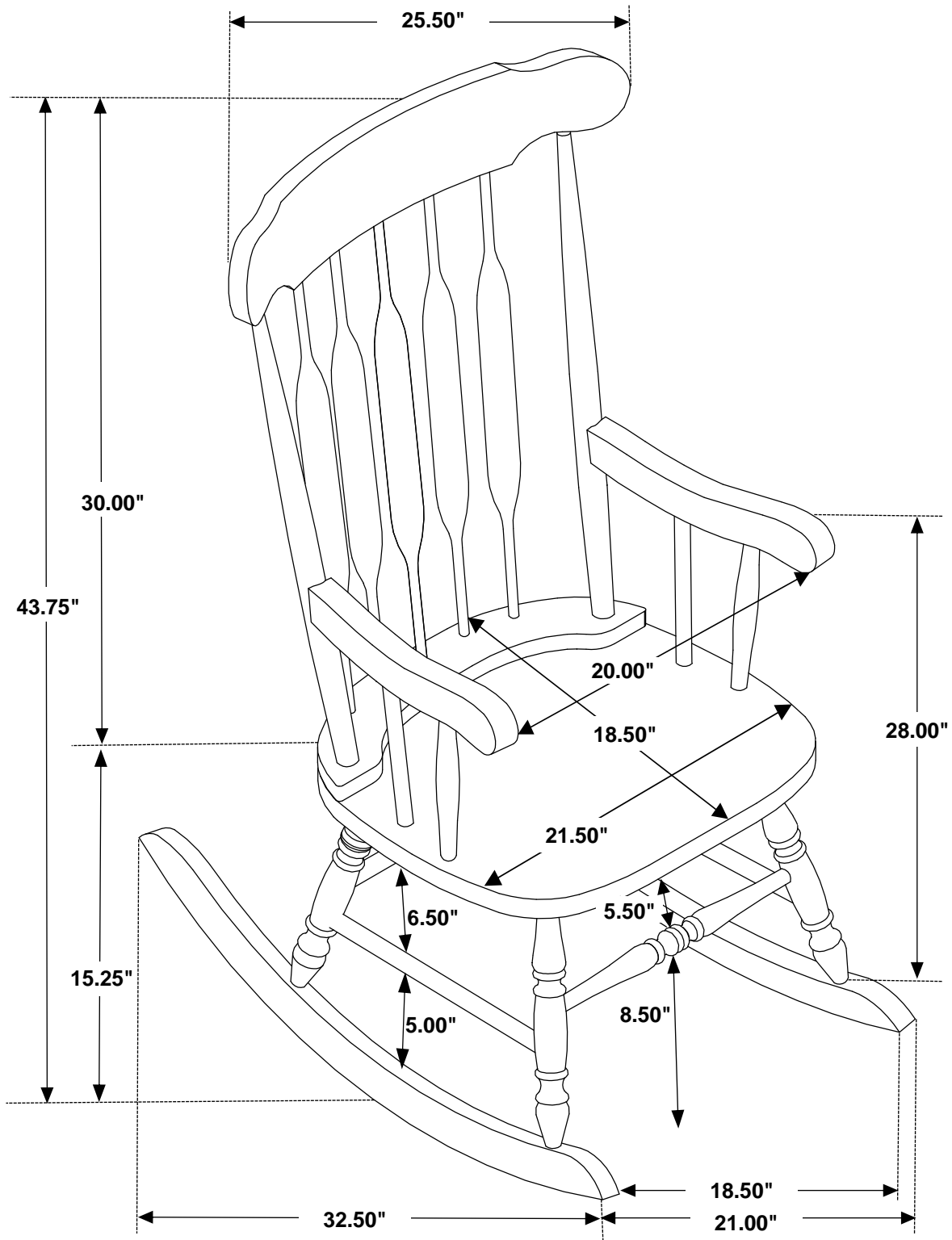
**STEP 4**



**STEP 5**  
**COMPLETE**



ITEM: **600174**



Note: Dimension tolerance  $\pm 5\%$