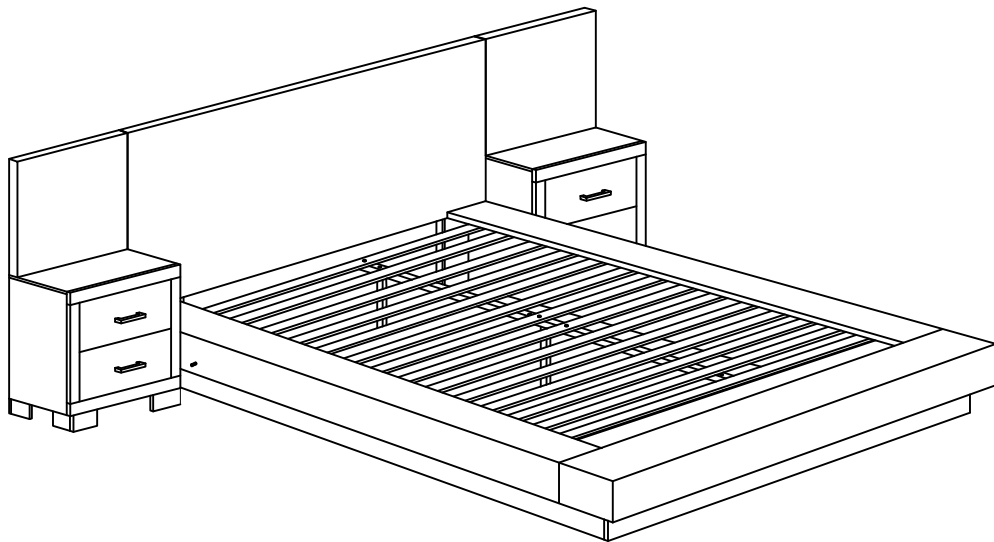


ASSEMBLY INSTRUCTIONS
COASTER FINE FURNITURE



Fine Furniture for every stage of life

202992P
Nightstand Back Panel

REVISION 0 : 06/18/2012
REVISION 1 : 06/22/2012
REVISION 2 : 01/21/2013
REVISION 3 : 09/11/2018
REVISION 4 : 12/04/2019
REVISION 5 : 08/04/2020

ITEM: 202992P



ASSEMBLY INSTRUCTIONS

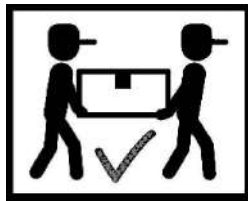
ASSEMBLY TIPS:

1. Remove hardware from box and sort by size.
2. Please check to see that all hardware and parts are present prior to start of assembly.
3. Please follow attached instructions in the same sequence as numbered to assure fast & easy assembly.



WARNING!

1. Don't attempt to repair or modify parts that are broken or defective. Please contact the store immediately.
2. This product is for home use only and not intended for commercial establishments.



ASSEMBLY TIME

15 MINUTES

PARTS IDENTIFICATION

A HEADBOARD
EXTENSION PANEL



2PCS

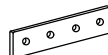
HARDWARE IDENTIFICATION

1 FLAT HEAD SCREW
(M4 x 20MM - BLK)



32PCS

2 METAL PLATE
(3 x 25 x 90mm - BLK)



8PCS

3 METAL BRACKET
(2 x 25 x 110mm - BLK)

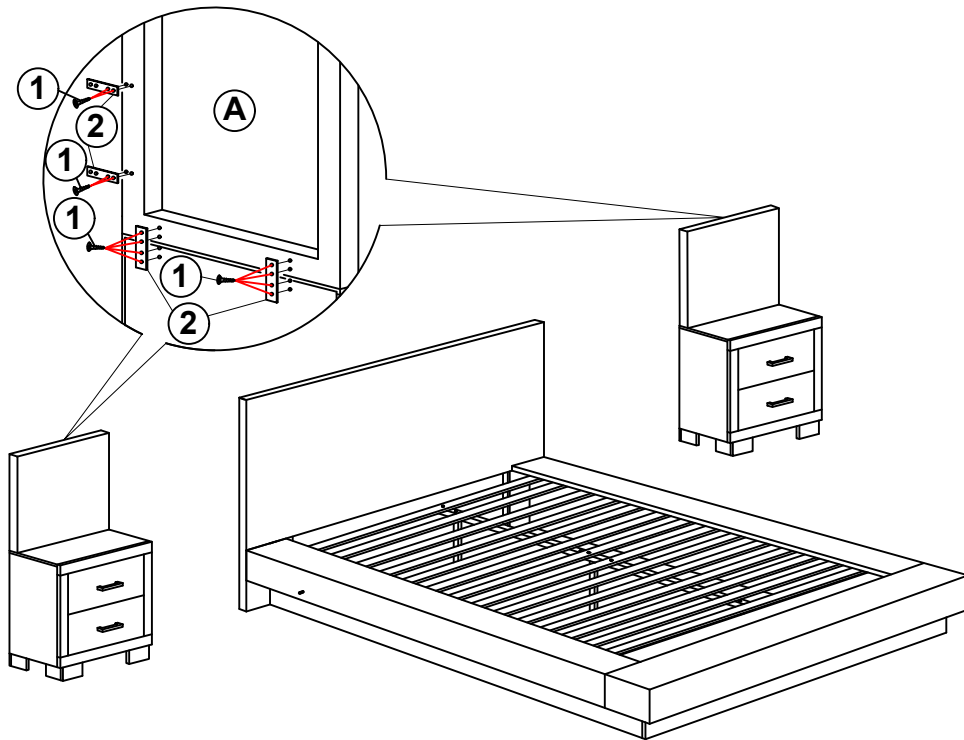


4PCS

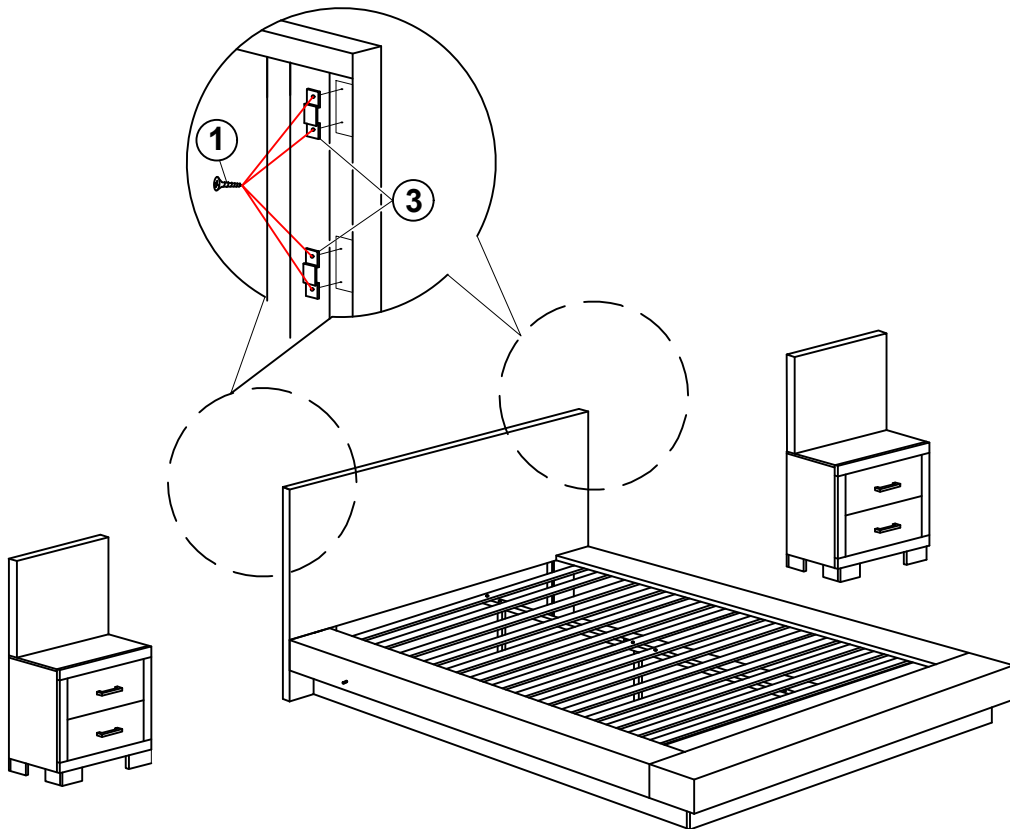
NOTE:

Phillips head screw driver is required in the assembly process; however, manufacturer does not provide this item.

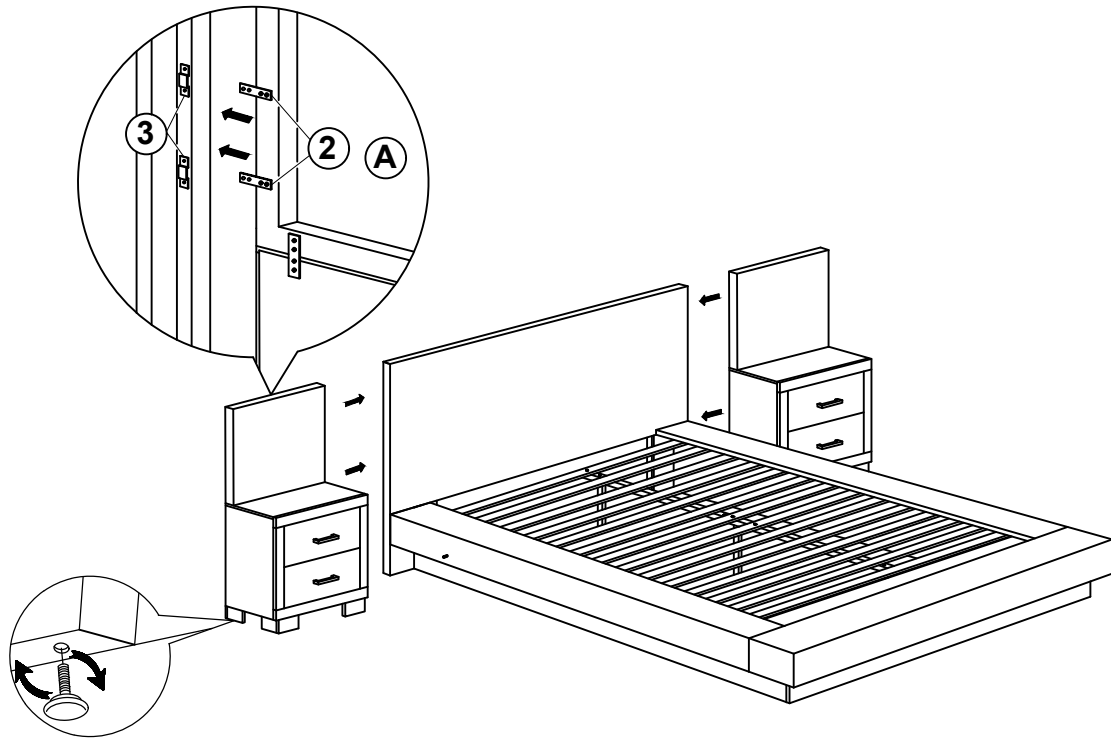
ITEM: **202992P**
ASSEMBLY INSTRUCTIONS
STEP 1



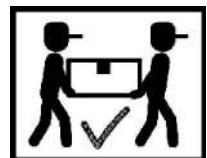
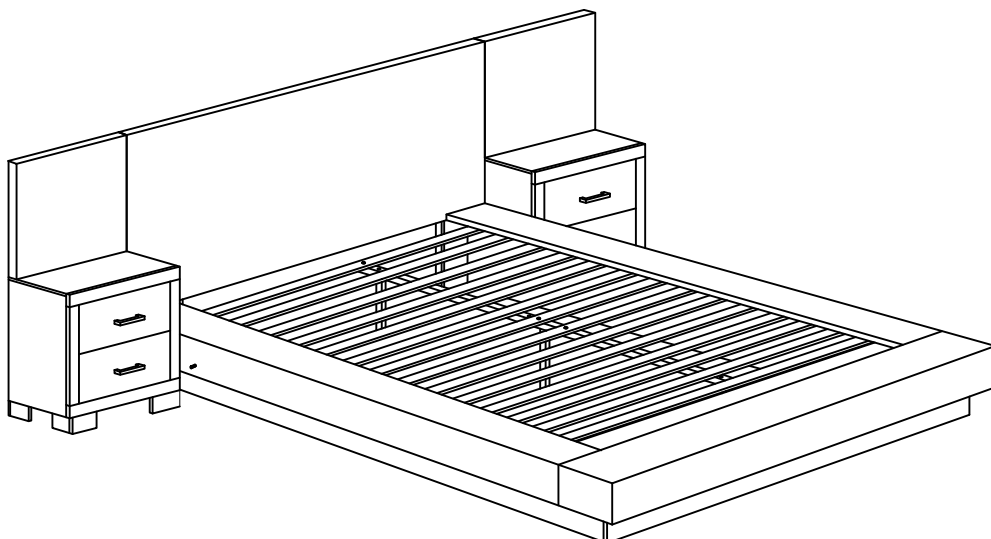
STEP 2



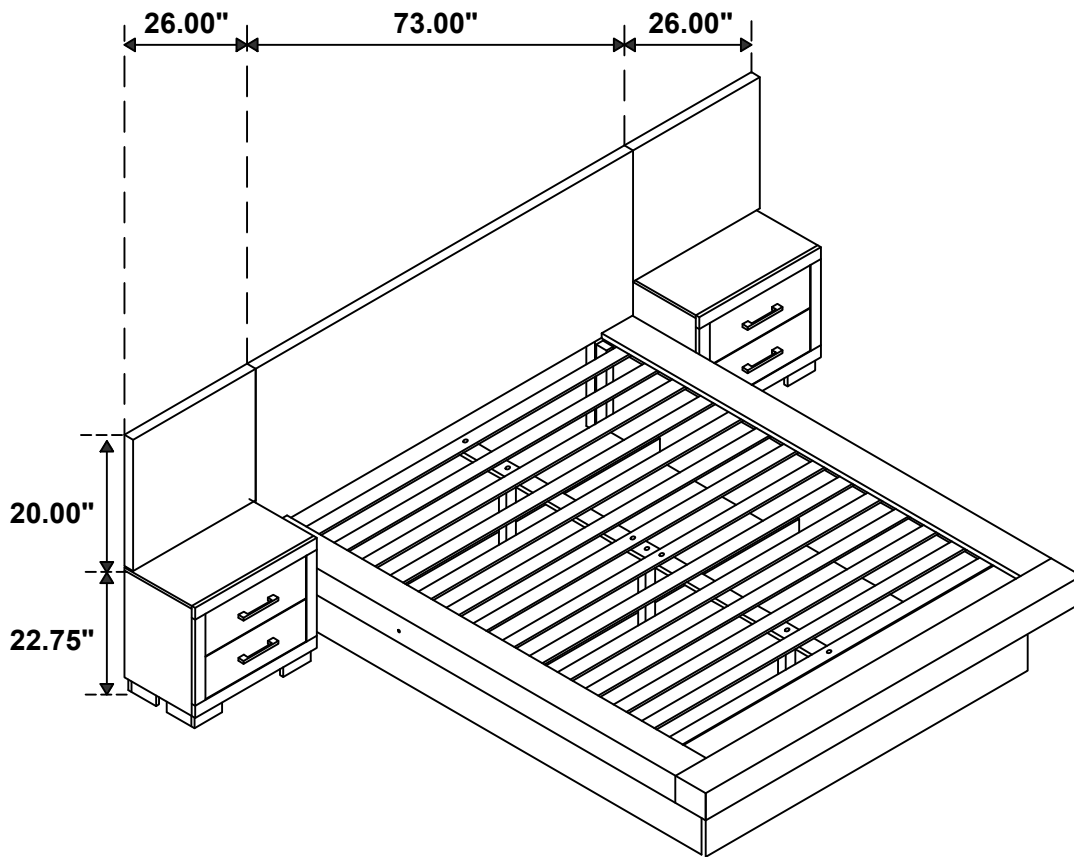
ITEM: **202992P**
ASSEMBLY INSTRUCTIONS
STEP 3



STEP 4
COMPLETE



ITEM: 202992P



Note: Dimension tolerance $\pm 5\%$