

**ASSEMBLY INSTRUCTIONS**  
**COASTER FINE FURNITURE**



*Fine Furniture for every stage of life*

**224301KE (B1-B3)**  
**Eastern King Bed**

# ITEM: 224301KE(B1-B3)



## ASSEMBLY INSTRUCTIONS

### ASSEMBLY TIPS:

1. Remove hardware from box and sort by size.
2. Please check to see that all hardware and parts are present prior to start of assembly.
3. Please follow attached instructions in the same sequence as numbered to assure fast & easy assembly.



### WARNING!

1. Don't attempt to repair or modify parts that are broken or defective. Please contact the store immediately.
2. This product is for home use only and not intended for commercial establishments.



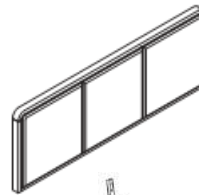
ASSEMBLY TIME

25 MINUTES

## PART IDENTIFICATION

### B1 (BOX 1)

A HEADBOARD PANEL



1PC

B LEFT HEADBOARD LEG



1PC

C RIGHT HEADBOARD LEG



1PC

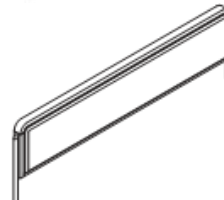
D HEADBOARD BOTTOM RAIL



1PC

### B2 (BOX 2)

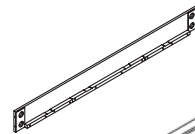
E FOOTBOARD



1PC

### B3 (BOX 3)

F BED RAIL



2PCS

G BED SLAT



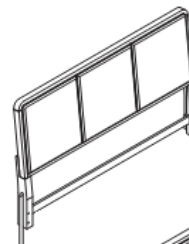
4PCS

H BED SLAT SUPPORT WITH LEVELER



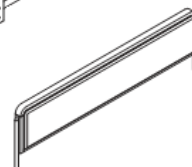
8PCS

HB 224301KE (B1) \*FROM BOX 1 HEADBOARD COMPLETE



1PC

E 224301KE (B2) \*FROM BOX 2 FOOTBOARD\*



1PC

# ITEM: 224301KE(B1-B3)

## ASSEMBLY INSTRUCTIONS

### ASSEMBLY TIPS:

1. Remove hardware from box and sort by size.
2. Please check to see that all hardware and parts are present prior to start of assembly.
3. Please follow attached instructions in the same sequence as numbered to assure fast & easy assembly.

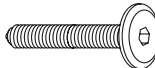



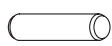


### WARNING!





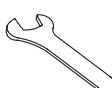
1. Don't attempt to repair or modify parts that are broken or defective. Please contact the store immediately.
2. This product is for home use only and not intended for commercial establishments.

## HARDWARE IDENTIFICATION

### Z-B1 (BOX 1) - HARDWARE PACK IS LOCATED IN 224301KE (B1)

1	<b>BOLT</b> (5/16" x 45mm - BLK)		8PCS
2	<b>LOCK WASHER</b> (1.6 x 14mm - BLK)		8PCS
3	<b>FLAT WASHER</b> (1 x 18mm - BLK)		8PCS
4	<b>ALLEN WRENCH</b> (M5 x 65mm - BLK)		1PC
5	<b>WOOD DOWEL</b> (10 x 30mm - BRW)		4PCS

### Z-B3 (BOX 3) - HARDWARE PACK IS LOCATED IN 224301KE (B3)

6	<b>FLAT HEAD SCREW</b> (8 x 38mm - BLK)		8PCS
7	<b>THREADED BOLT</b> (5/16" x 100mm - WHT)		8PCS
8	<b>HEX NUT</b> (5/16" x 100mm - WHT)		8PCS
9	<b>HALF ROUND NUT</b> (22 x 17 x 10mm - WHT)		8PCS
10	<b>WRENCH</b> (13mm - WHT)		1PC

### NOTE :

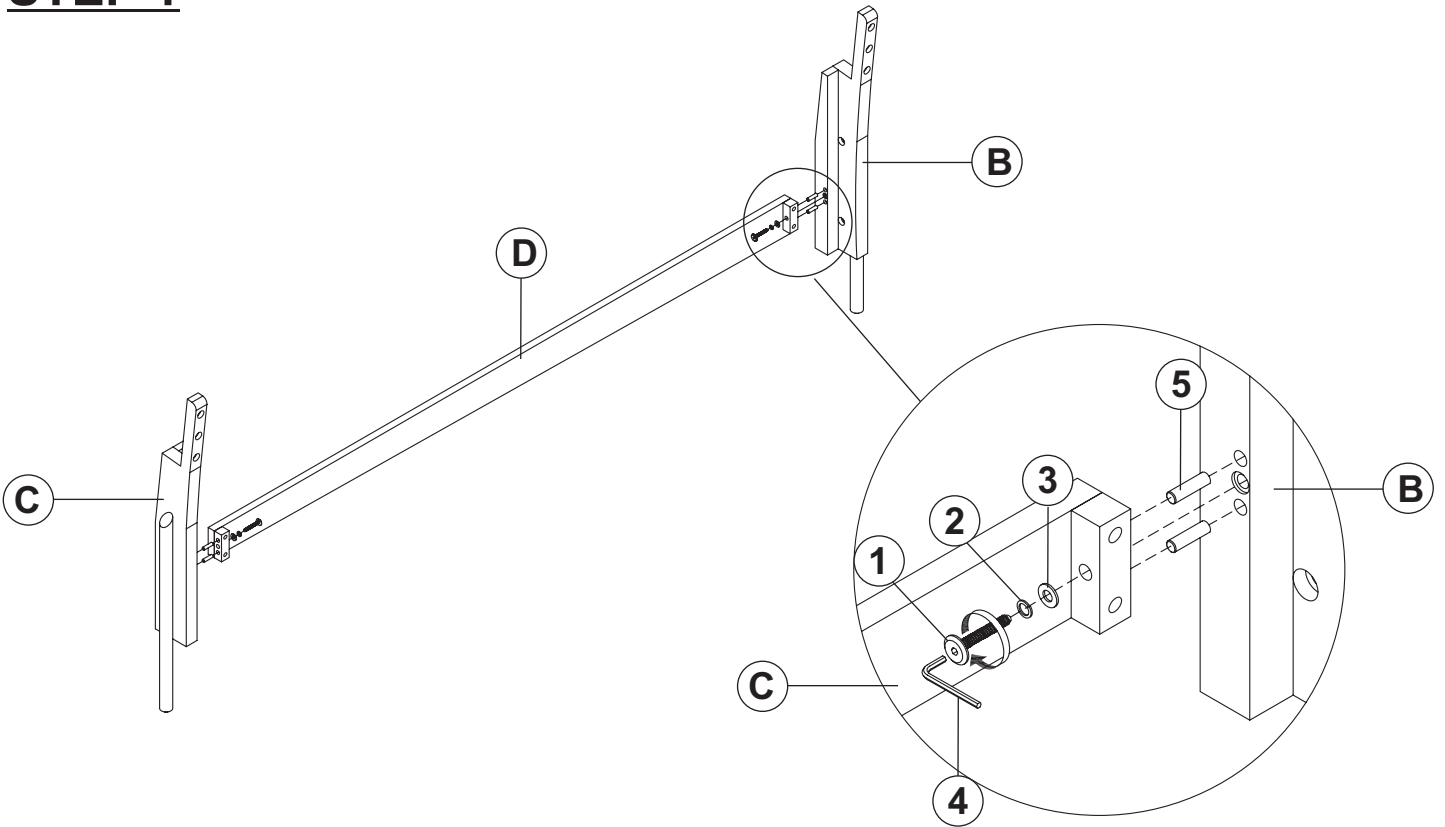
Philips head screw driver is required in the assembly process; however, manufacturer does not provide this item.

ITEM: **224301KE(B1-B3)**

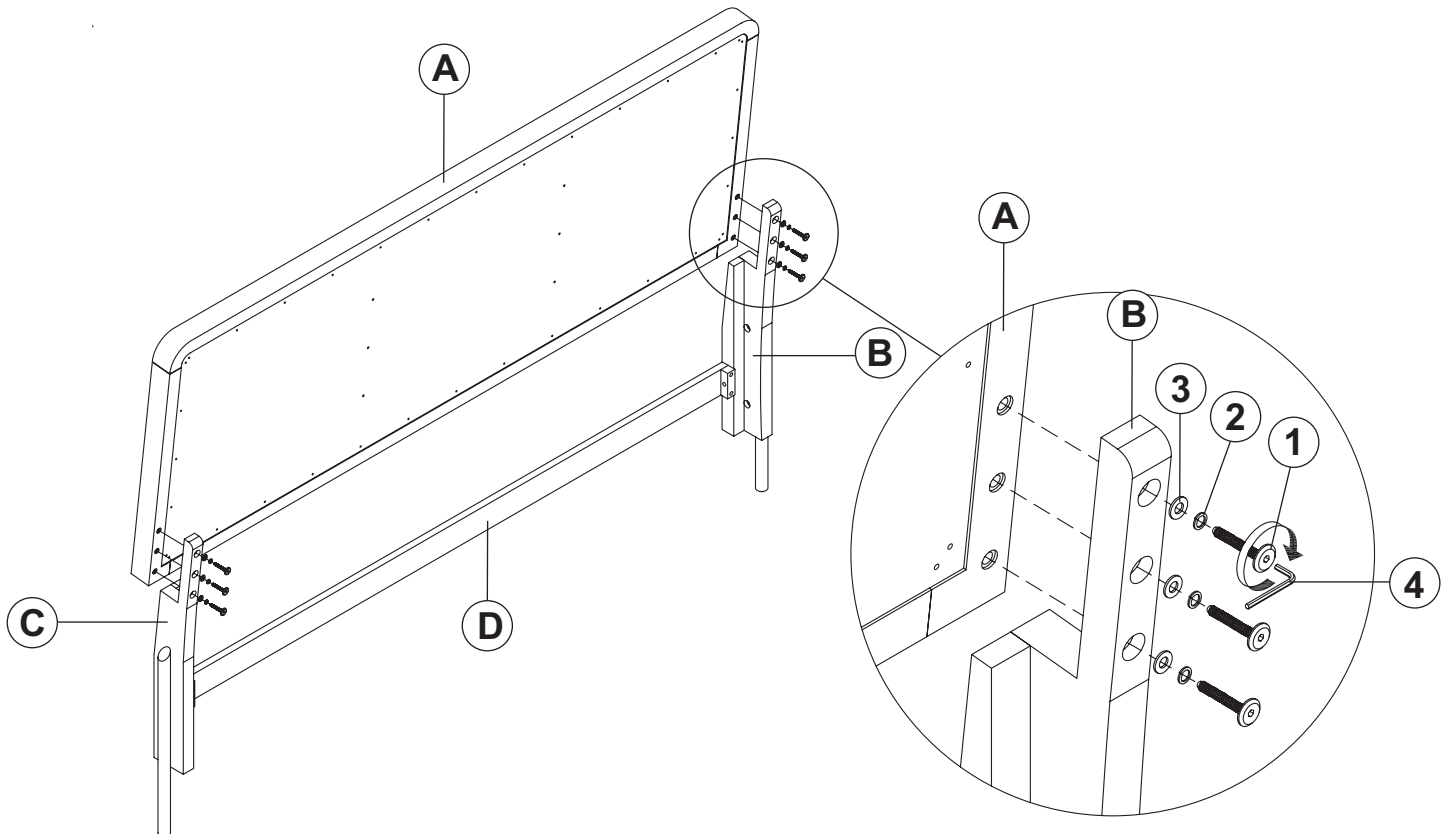
**ASSEMBLY INSTRUCTIONS**



**STEP 1**



**STEP 2**

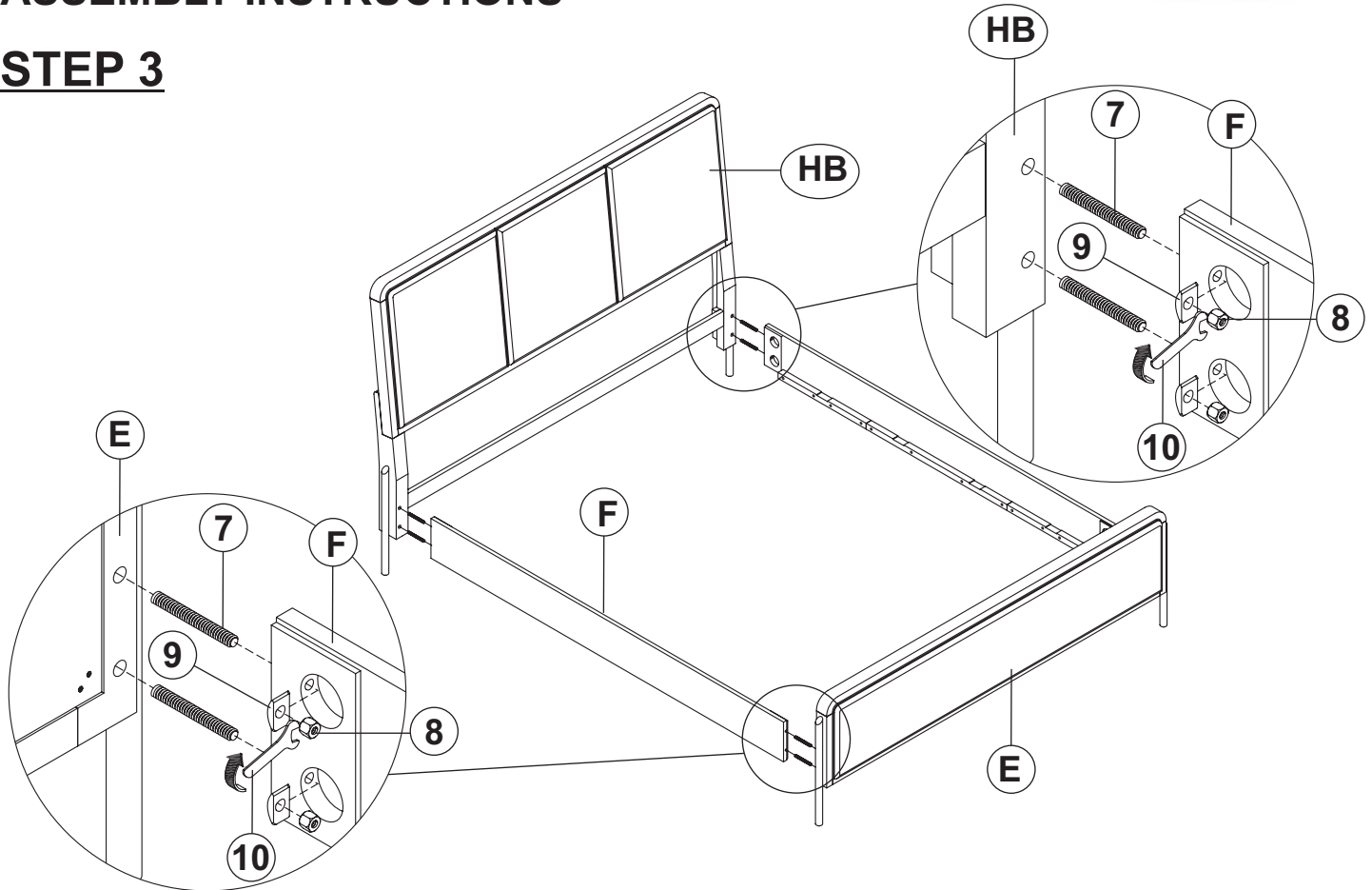


ITEM: **224301KE(B1-B3)**

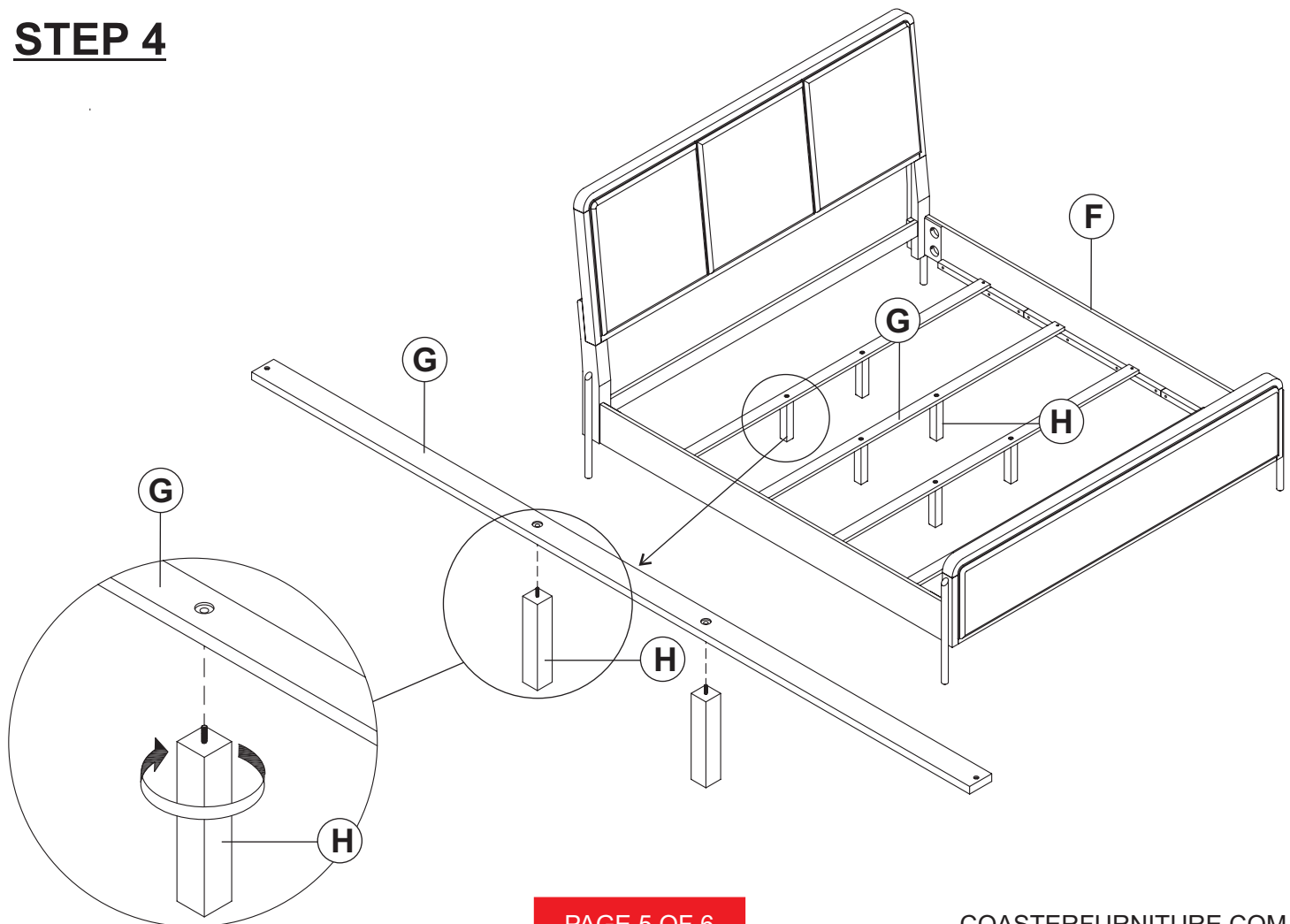
**ASSEMBLY INSTRUCTIONS**



**STEP 3**



**STEP 4**

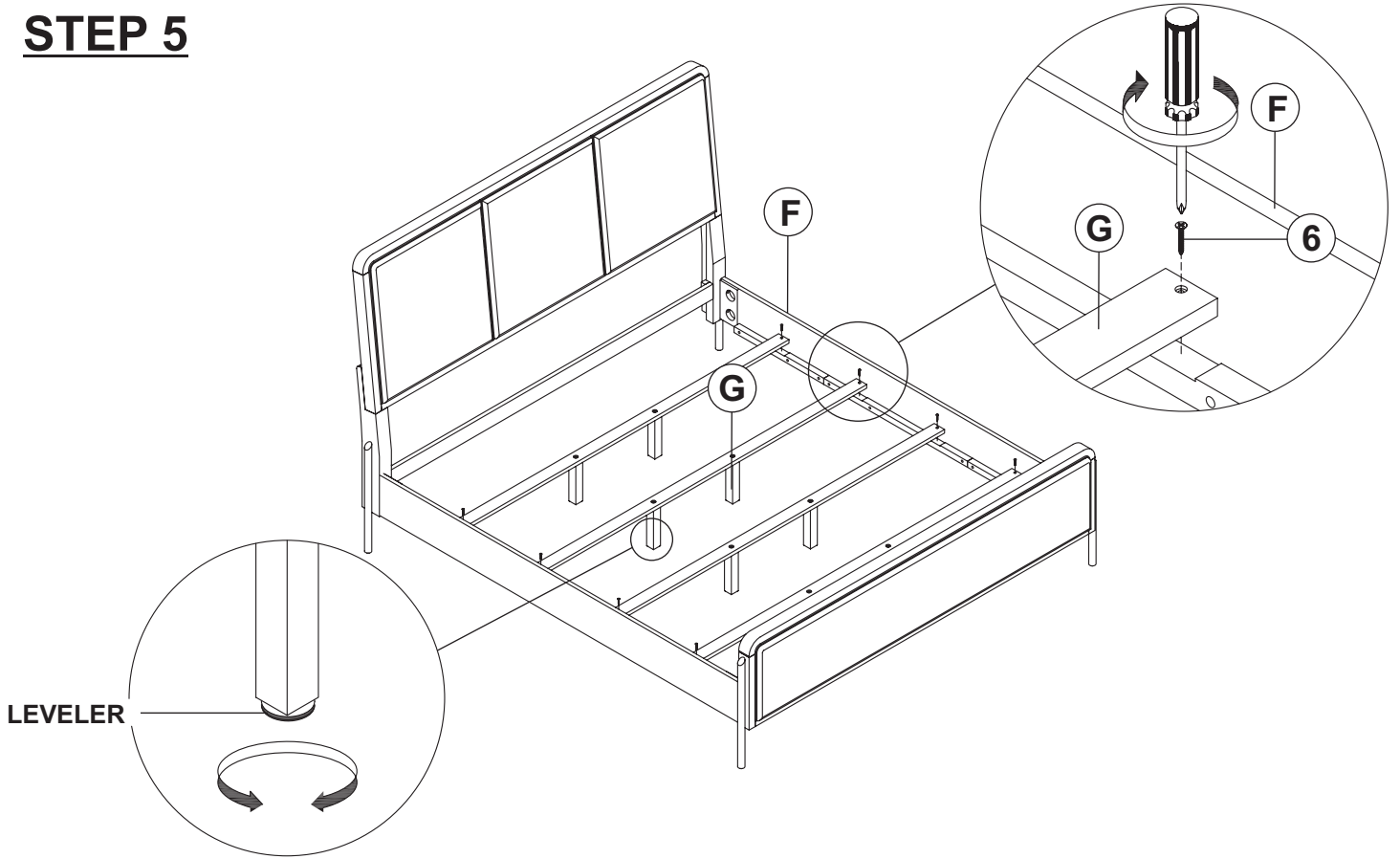


ITEM: **224301KE(B1-B3)**

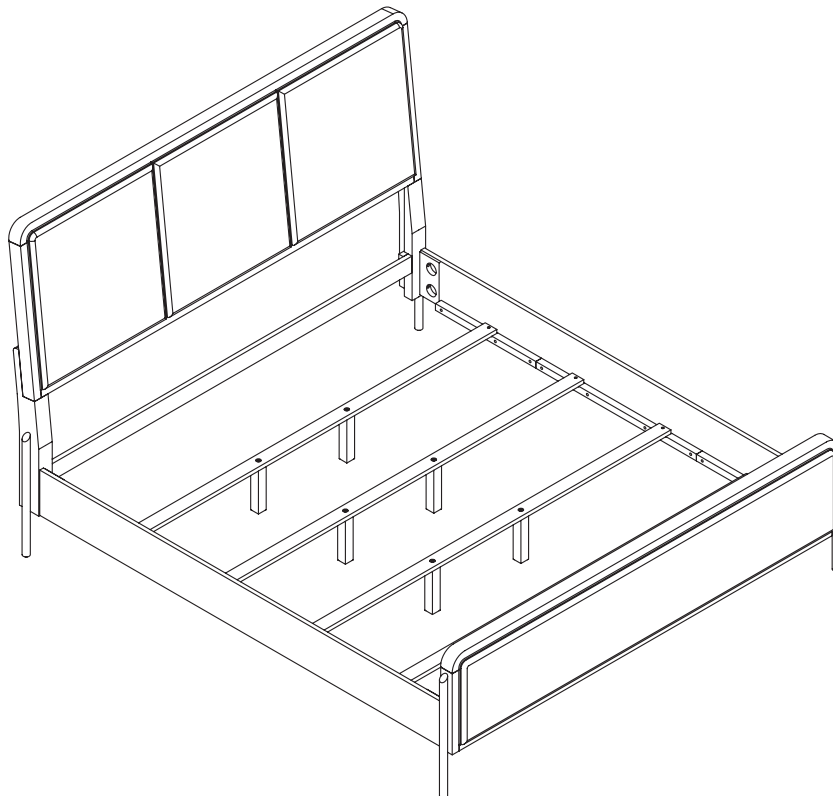
**ASSEMBLY INSTRUCTIONS**



**STEP 5**



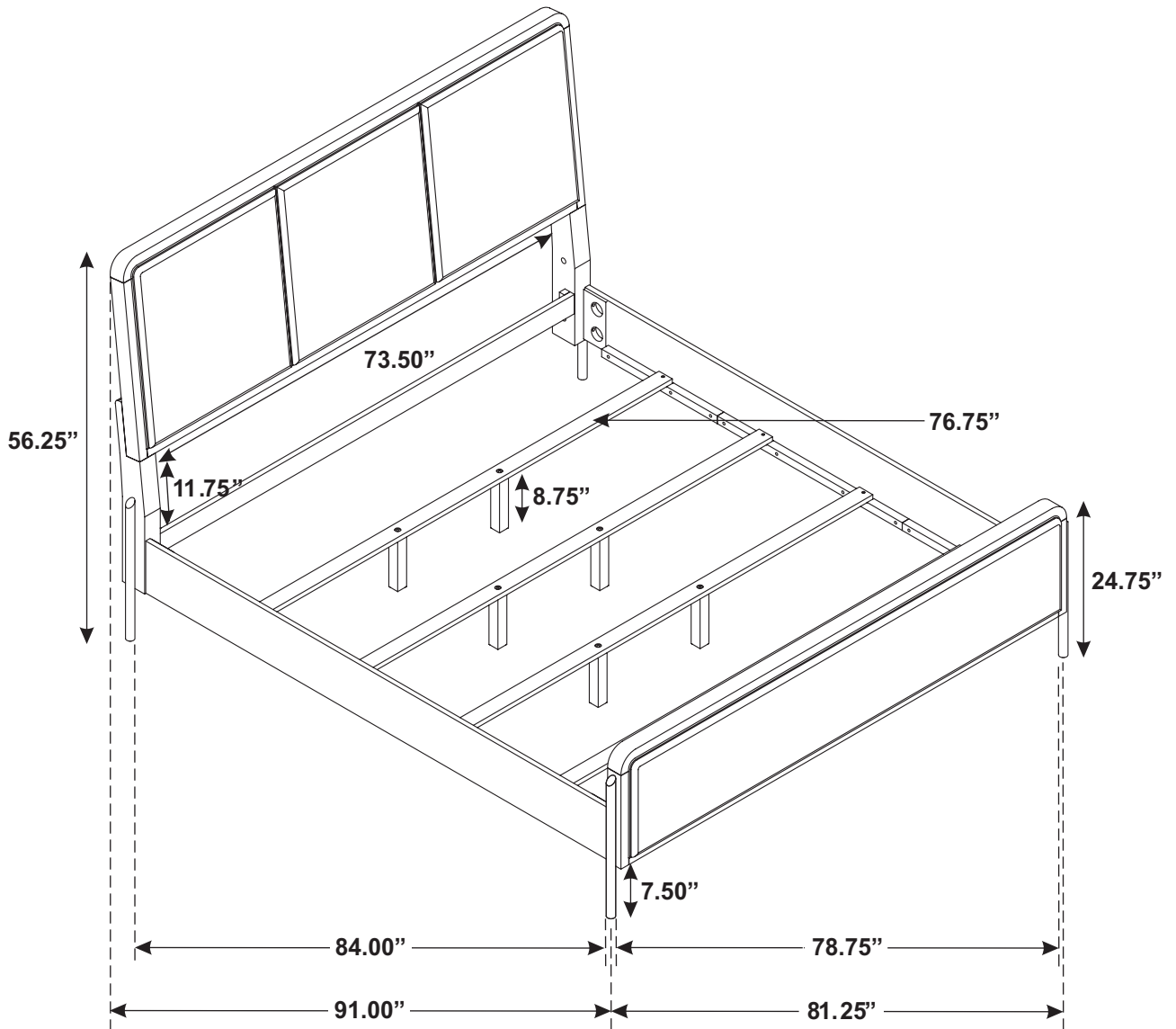
**STEP 5**  
**COMPLETE**



ITEM: **224301KE(B1-B3)**



Inner Size : 77.00"W x 82.00"D



Note: Dimension tolerance  $\pm 5\%$