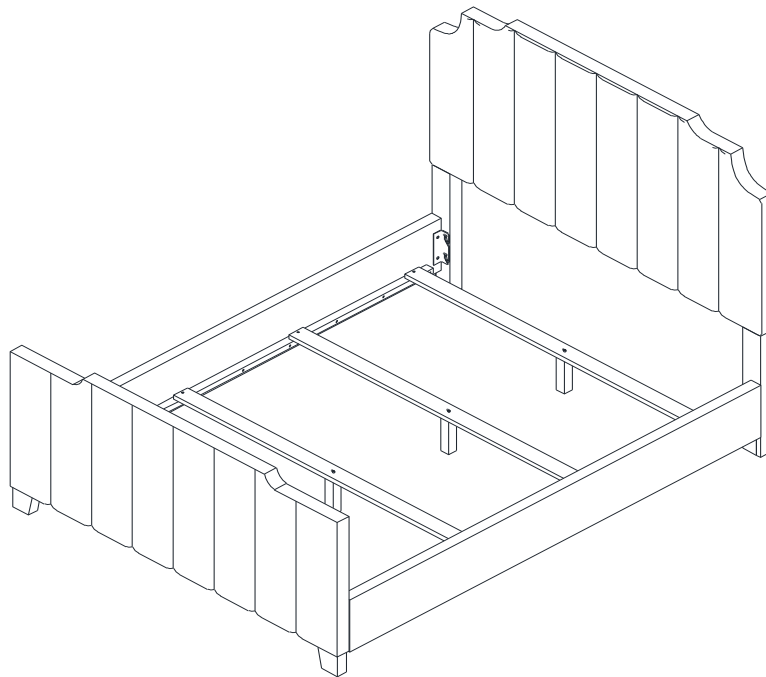


ASSEMBLY INSTRUCTIONS
COASTER FINE FURNITURE



Fine Furniture for every stage of life

306029F(B1 & B2)
Full Bed

ITEM: 306029F(B1&B2)



ASSEMBLY INSTRUCTIONS

ASSEMBLY TIPS:

1. Remove hardware from box and sort by size.
2. Please check to see that all hardware and parts are present prior to start of assembly.
3. Please follow attached instructions in the same sequence as numbered to assure fast & easy assembly.

WARNING!



1. Don't attempt to repair or modify parts that are broken or defective. Please contact the store immediately.
2. This product is for home use only and not intended for commercial establishments.

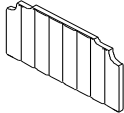
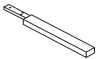
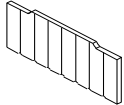
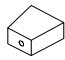
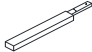


ASSEMBLY TIME

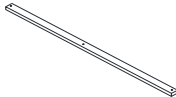

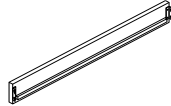
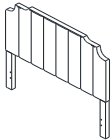
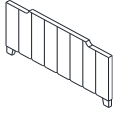
30 MINUTES

PARTS IDENTIFICATION

B1 (BOX 1)

A	HEADBOARD PANEL		1PC	D	LEFT HEADBOARD LEG		1PC
B	FOOTBOARD PANEL		1PC	E	FOOTBOARD LEG		2PCS
C	RIGHT HEADBOARD LEG		1PC				

B2 (BOX 2)

F	BED SLAT		4PCS	H	SUPPORT LEG		4PCS
G	BED RAIL		2PCS				
HB	306029F(B1) FROM BOX1 HEADBOARD COMPLETE		1PC	FB	306029F(B1) FROM BOX1 FOOTBOARD COMPLETE		1PC

ITEM: 306029F(B1&B2)



ASSEMBLY INSTRUCTIONS

ASSEMBLY TIPS:

1. Remove hardware from box and sort by size.
2. Please check to see that all hardware and parts are present prior to start of assembly.
3. Please follow attached instructions in the same sequence as numbered to assure fast & easy assembly.





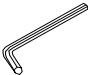
WARNING!







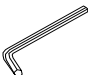
1. Don't attempt to repair or modify parts that are broken or defective. Please contact the store immediately.
2. This product is for home use only and not intended for commercial establishments.

HARDWARE IDENTIFICATION

Z-B1 (BOX1)-HARDWARE PACK IS LOCATED IN 306029F(B1)

1	LONG BOLT (5/16"x3" - RBW)		2PCS	2	MEDIUM BOLT (5/16"x2-1/4" - RBW)		6PCS
3	LOCK WASHER (5/16" - RBW)		8PCS	4	FLAT WASHER (5/16"x19mm - RBW)		8PCS
5	ALLEN WRENCH (5mm - RBW)		1PC				

Z-B2 (BOX2)-HARDWARE PACK IS LOCATED IN 306029F(B2)

6	SHORT BOLT (5/16"x1-1/4" - RBW)		8PCS	7	FLAT HEAD SCREW (8x1-1/2" - RBW)		8PCS
8	LOCK WASHER (5/16" - RBW)		8PCS	9	FLAT WASHER (5/16"x22mm - RBW)		8PCS
10	ALLEN WRENCH (5mm - RBW)		1PC				

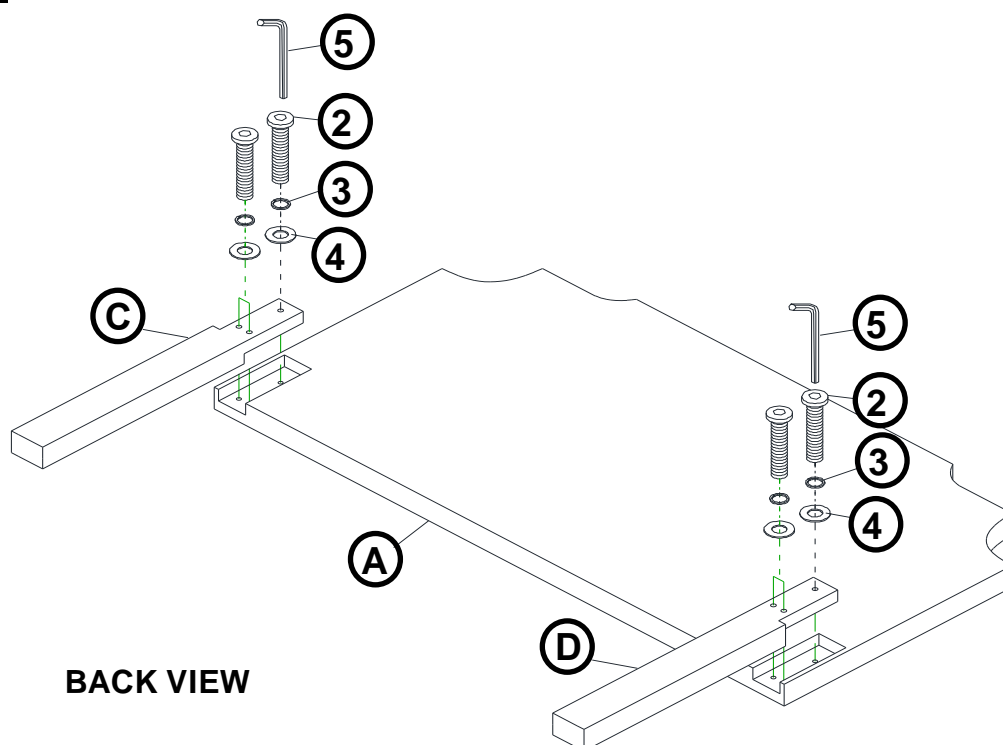
NOTE:

Phillips head screw driver is required in the assembly process; however, manufacturer does not provide this item.

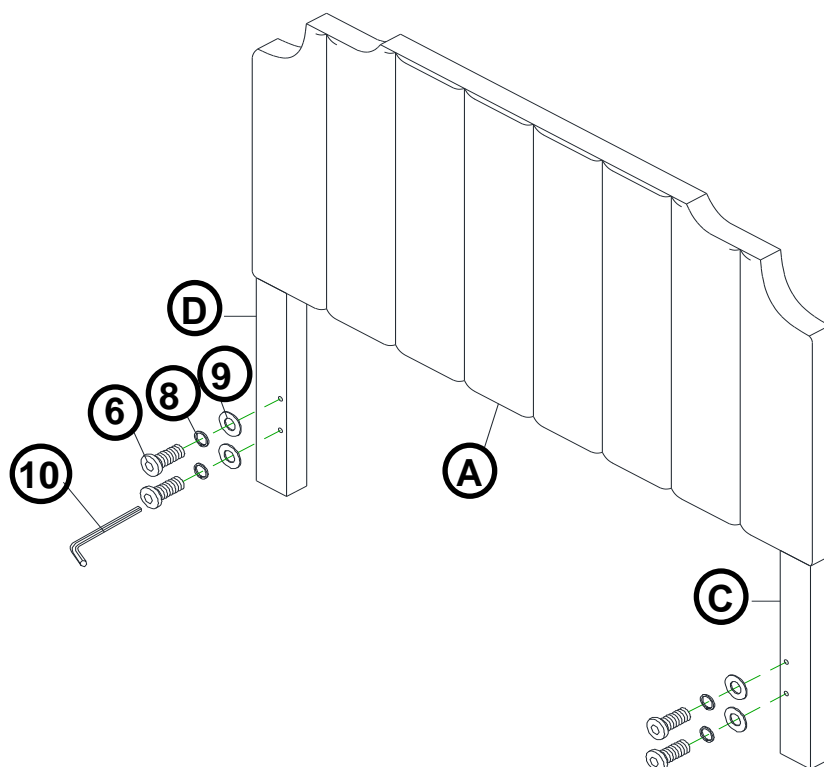
ITEM: 306029F(B1&B2)

ASSEMBLY INSTRUCTIONS

STEP 1



STEP 2

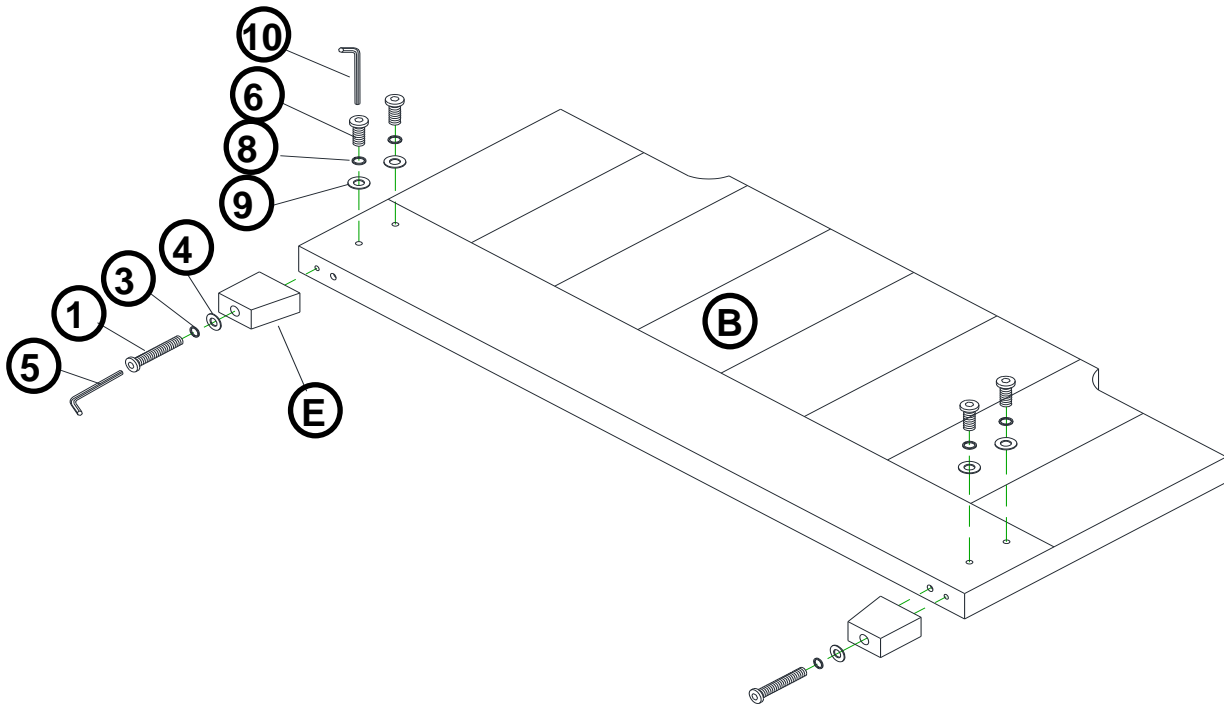


ITEM: **306029F(B1&B2)**

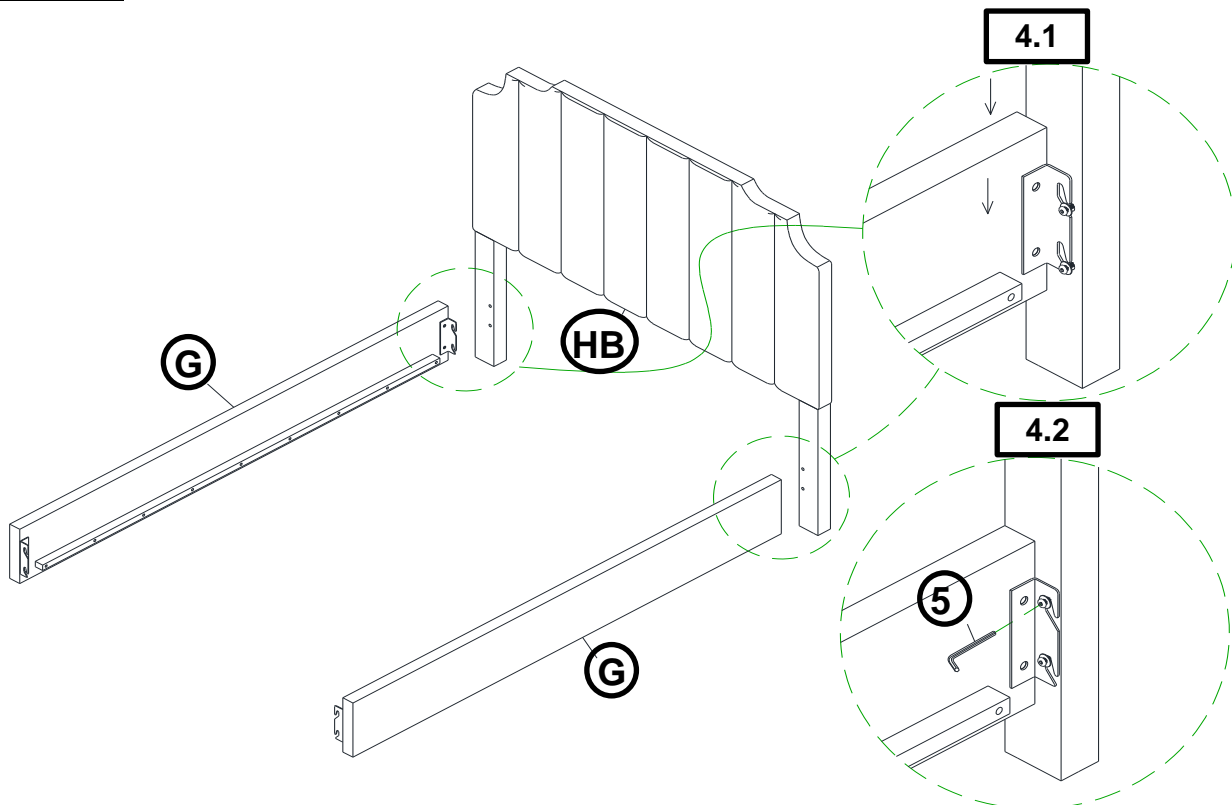


ASSEMBLY INSTRUCTIONS

STEP 3



STEP 4

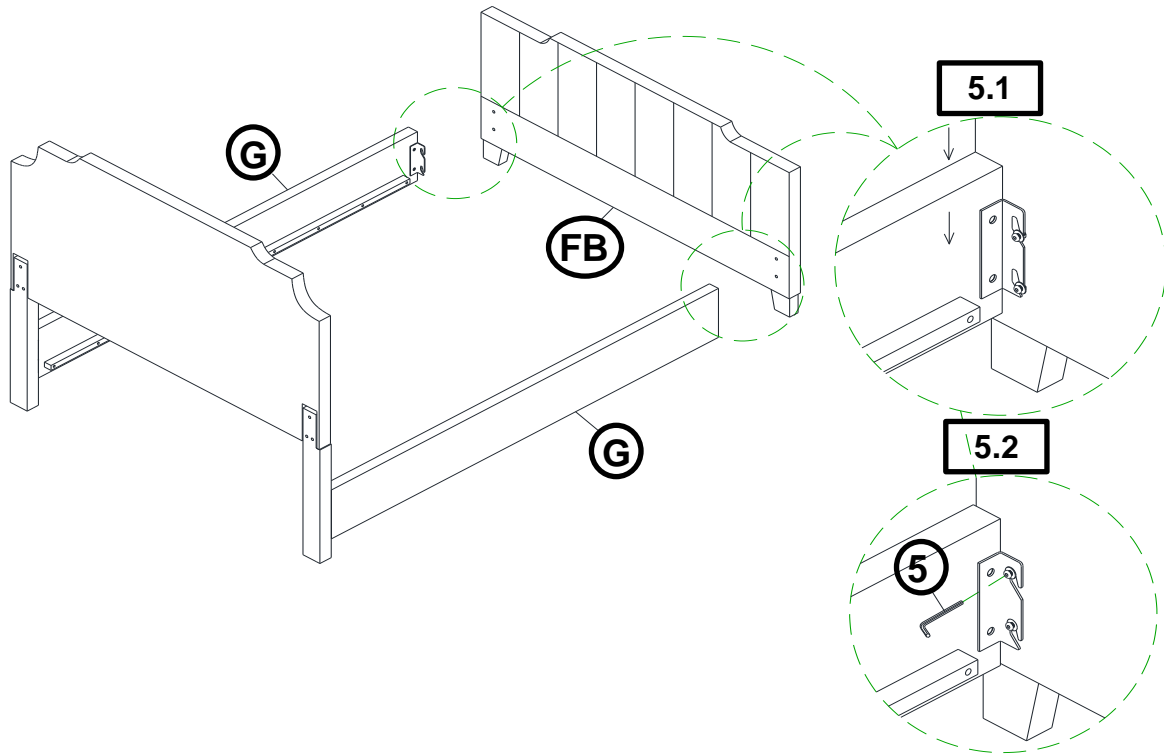


ITEM: **306029F(B1&B2)**

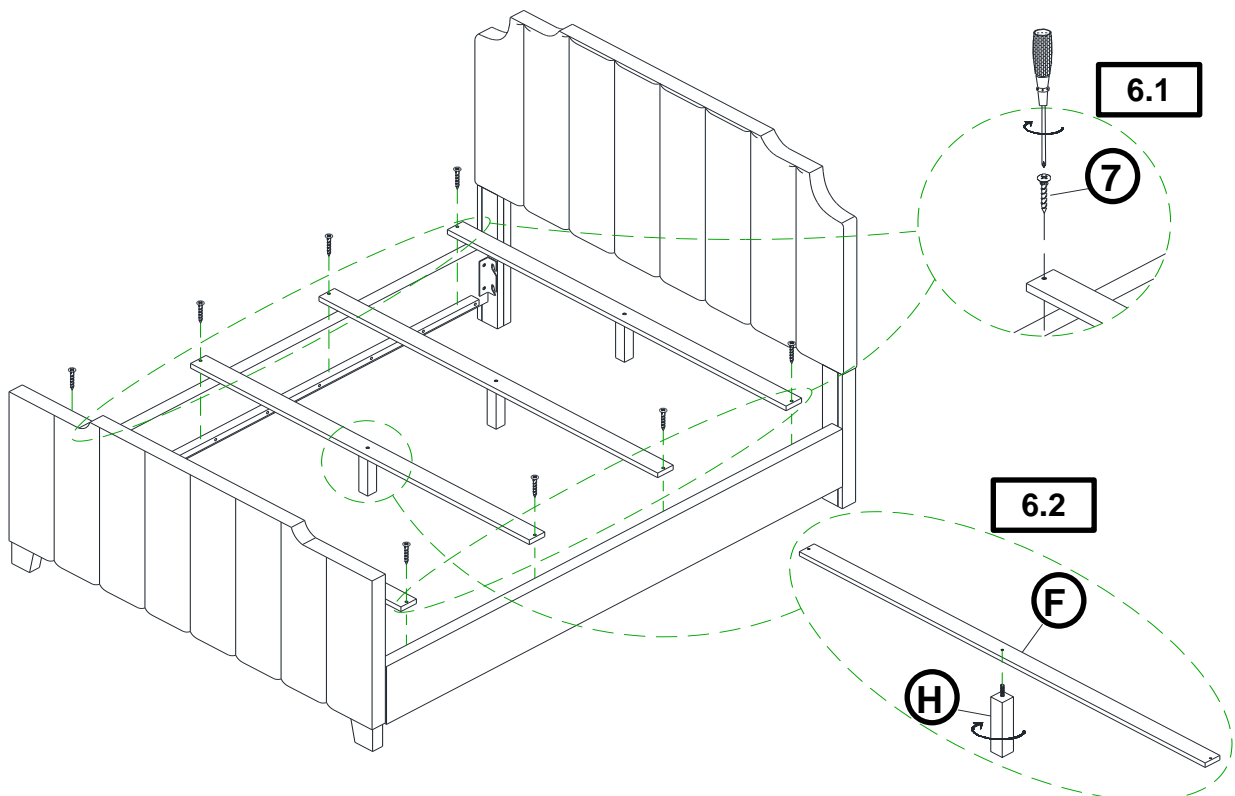


ASSEMBLY INSTRUCTIONS

STEP 5



STEP 6



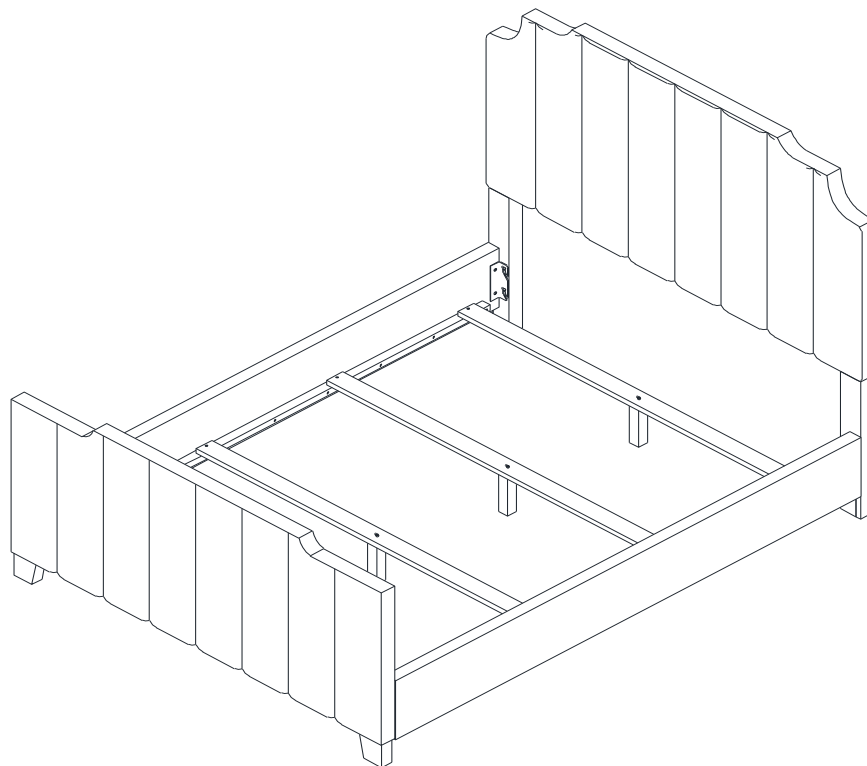
ITEM: **306029F(B1&B2)**



ASSEMBLY INSTRUCTIONS

STEP 7

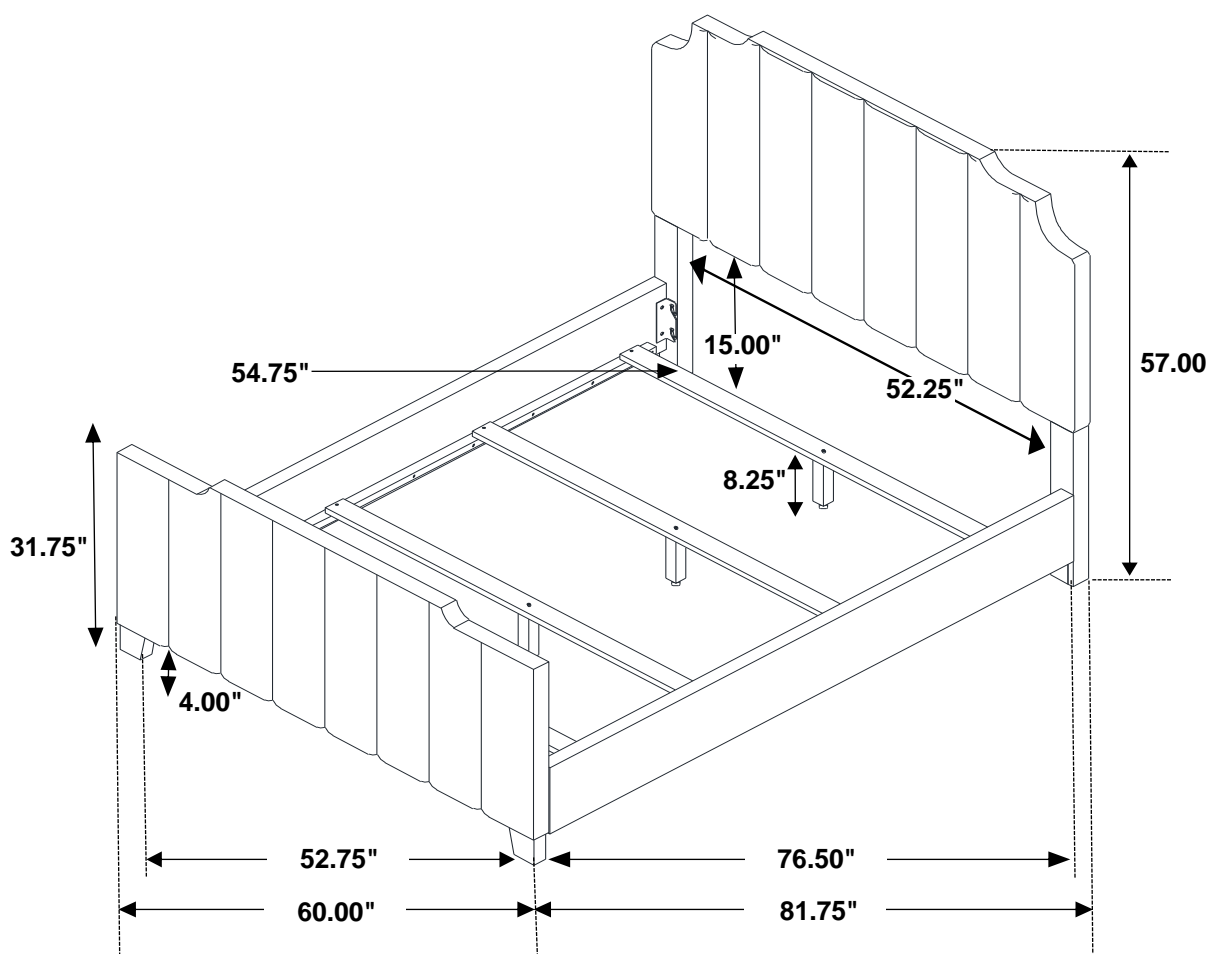
COMPLETE



ITEM: **306029F(B1&B2)**



Inner Size: 54.75"W X 76.00"D



Note: Dimension tolerance $\pm 5\%$