



# ASSEMBLY INSTRUCTIONS

## COASTER FINE FURNITURE



*Fine Furniture for every stage of life*

**110331**  
**Dining Table**

REVISION 0: 04/13/2017  
REVISION 1: 09/04/2018  
REVISION 2: 04/24/2019  
REVISION 3: 07/24/2019  
REVISION 4: 09/27/2019

PAGE 1 OF 5

COASTERFURNITURE.COM

DT. 2085 / 09 / 19 SU

# ITEM: 110331



## ASSEMBLY INSTRUCTIONS

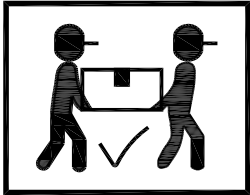
### ASSEMBLY TIPS:

1. Remove hardware from box and sort by size.
2. Please check to see that all hardware and parts are present prior to start of assembly.
3. Please follow attached instructions in the same sequence as numbered to assure fast & easy assembly.



### WARNING!

1. Don't attempt to repair or modify parts that are broken or defective. Please contact the store immediately.
2. This product is for home use only and not intended for commercial establishments.



**ASSEMBLY TIME**

**20 MINUTES**

## PARTS IDENTIFICATION

A	TOP		1PC
B	LEG FRAME		2PCS
C	CROSSBAR		1PC
D	WOOD CLEAT		2PCS

# ITEM: 110331

## ASSEMBLY INSTRUCTIONS

### ASSEMBLY TIPS:

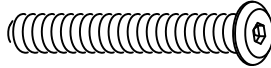
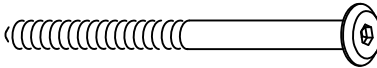
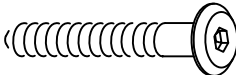






1. Remove hardware from box and sort by size.
2. Please check to see that all hardware and parts are present prior to start of assembly.
3. Please follow attached instructions in the same sequence as numbered to assure fast & easy assembly.



### WARNING!

1. Don't attempt to repair or modify parts that are broken or defective. Please contact the store immediately.
2. This product is for home use only and not intended for commercial establishments.

## HARDWARE IDENTIFICATION

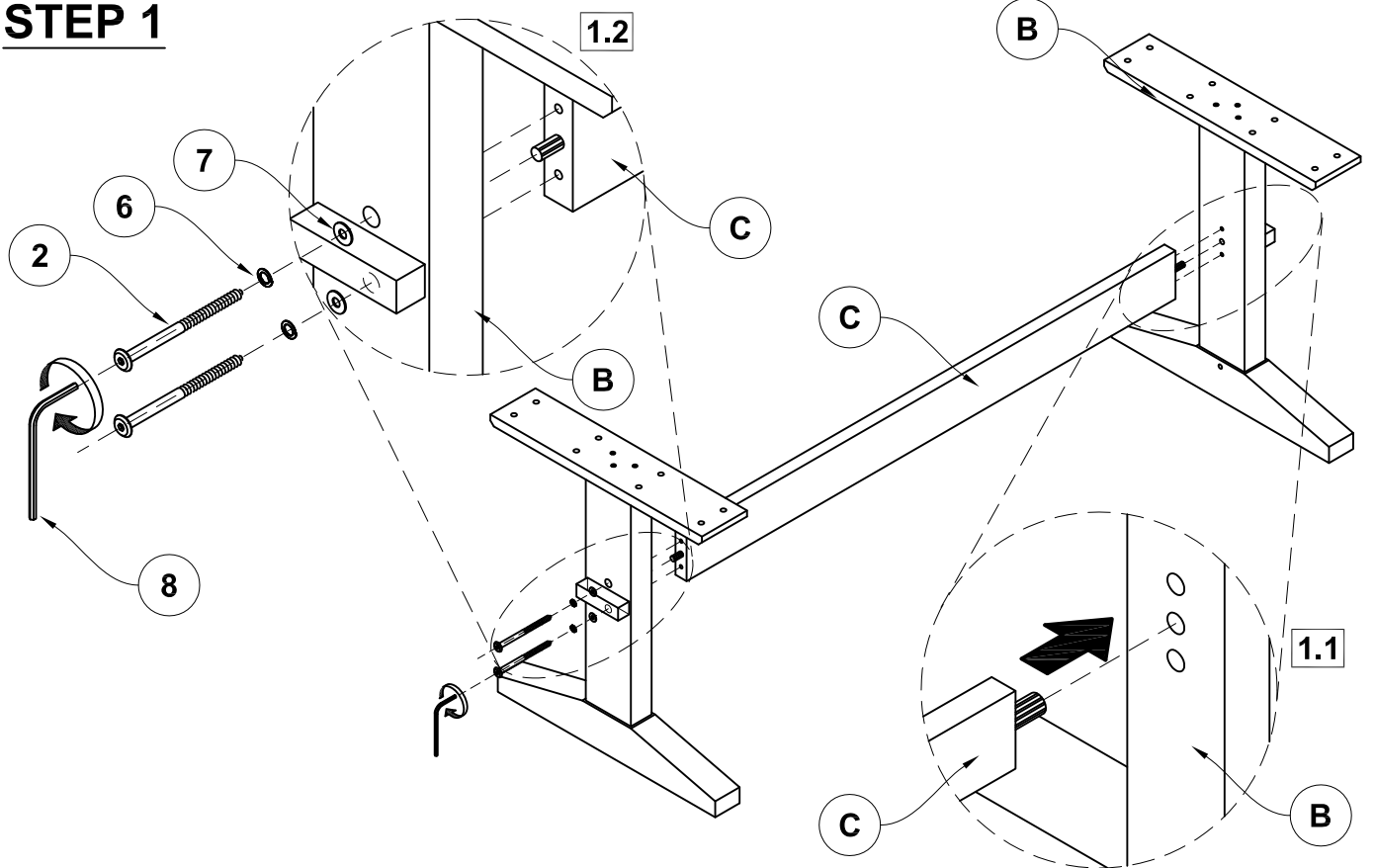
1	<b>MEDIUM BOLT</b> ( M8 x 50mm - BLK )		16PCS
2	<b>LONG BOLT</b> ( M6 x 100mm - BLK )		4PCS
3	<b>SHORT BOLT</b> ( M6 x 45mm - BLK )		2PCS
4	<b>BIG LOCK WASHER</b> ( Ø13 x Ø8 x 2mm - BLK )		16PCS
5	<b>BIG FLAT WASHER</b> ( Ø18 x Ø8 x 1mm - BLK )		16PCS
6	<b>SMALL LOCK WASHER</b> ( Ø13 x Ø6 x 1mm - BLK )		6PCS
7	<b>SMALL FLAT WASHER</b> ( Ø16 x Ø6.5 x 1mm - BLK )		6PCS
8	<b>SMALL ALLEN WRENCH</b> ( 4MM - BLK )		1PC
9	<b>BIG ALLEN WRENCH</b> ( 5MM - BLK )		1PC

ITEM: 110331

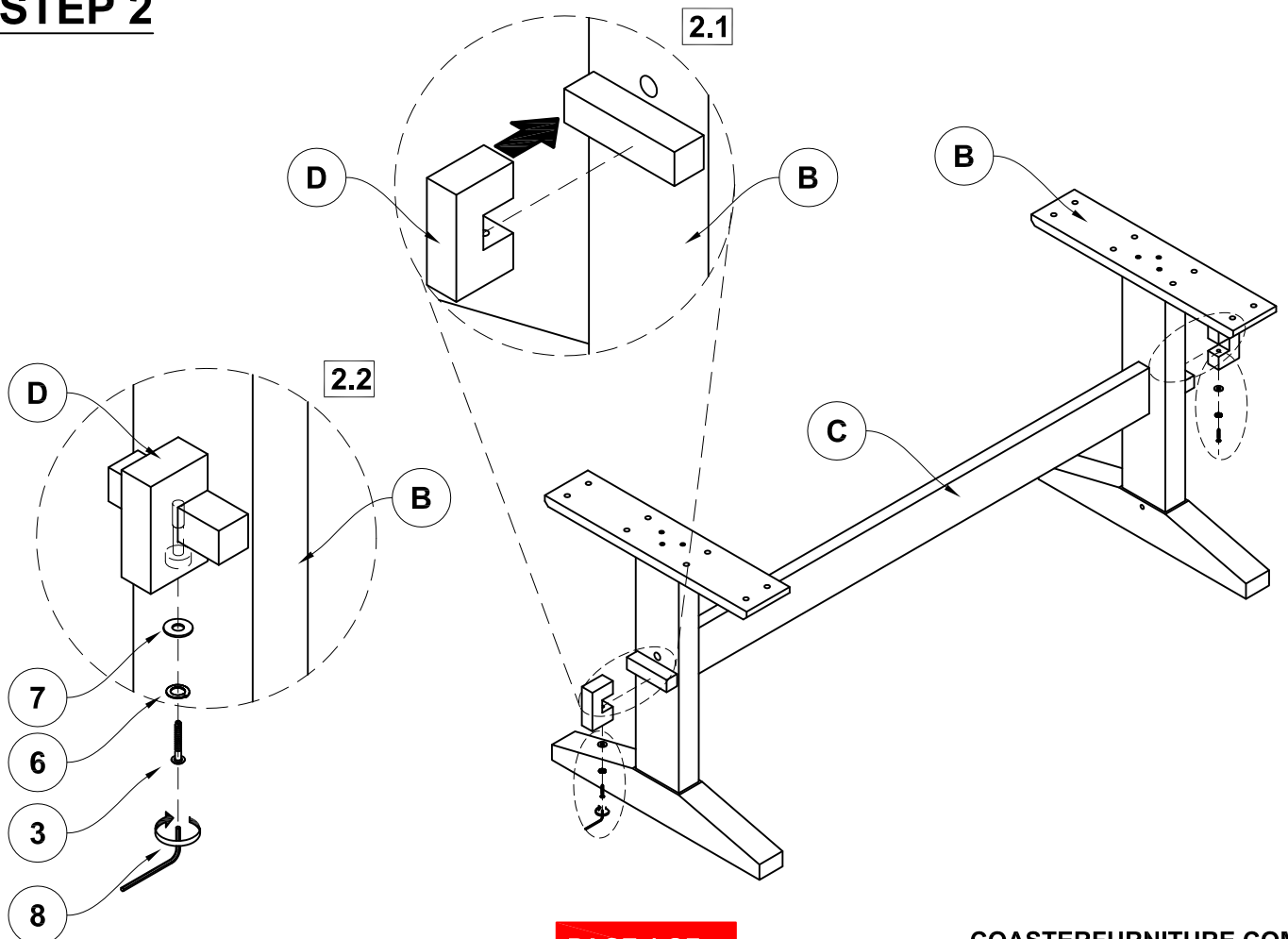
ASSEMBLY INSTRUCTIONS



STEP 1



STEP 2

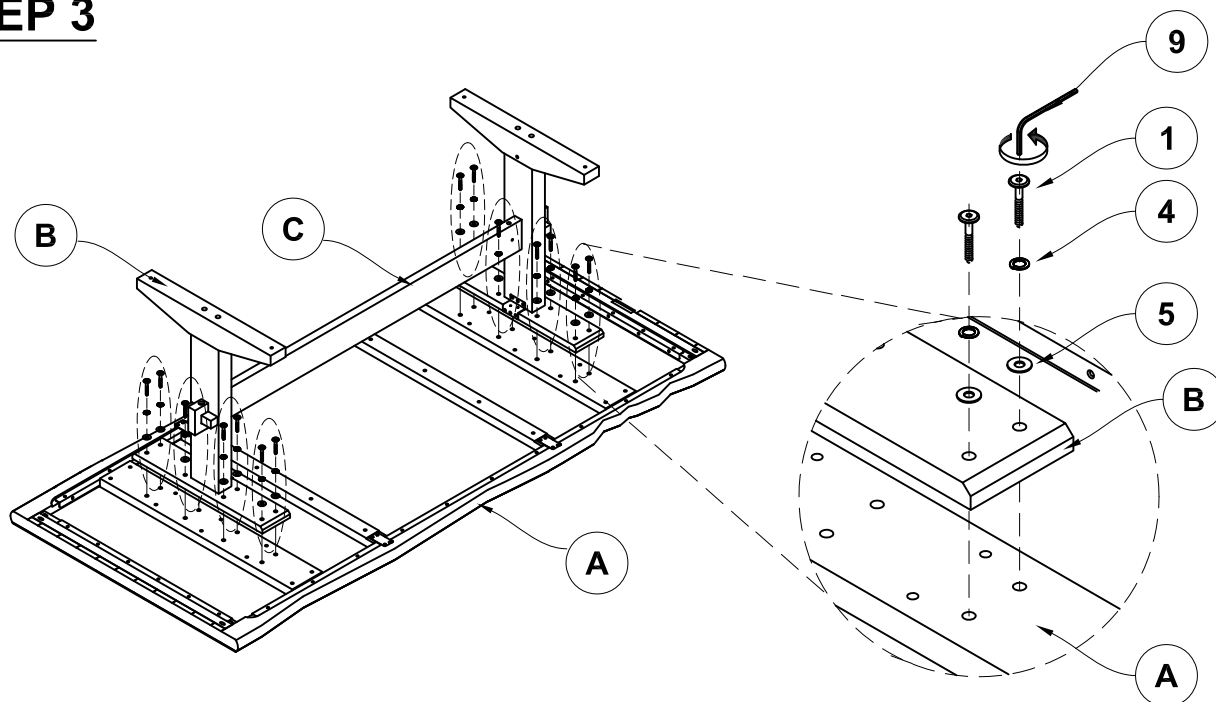


ITEM: 110331

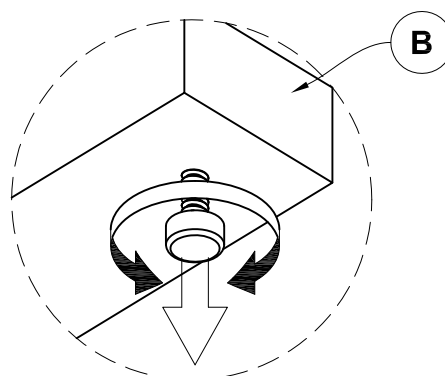
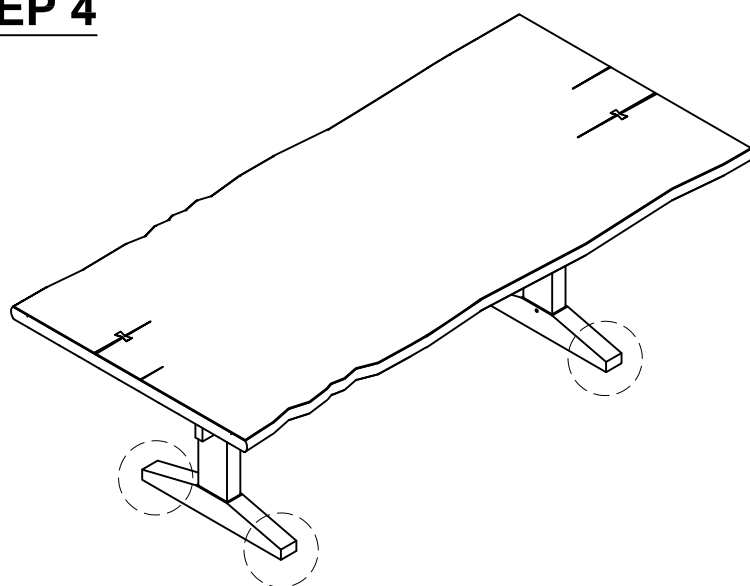
ASSEMBLY INSTRUCTIONS



STEP 3

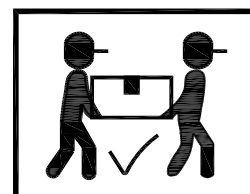
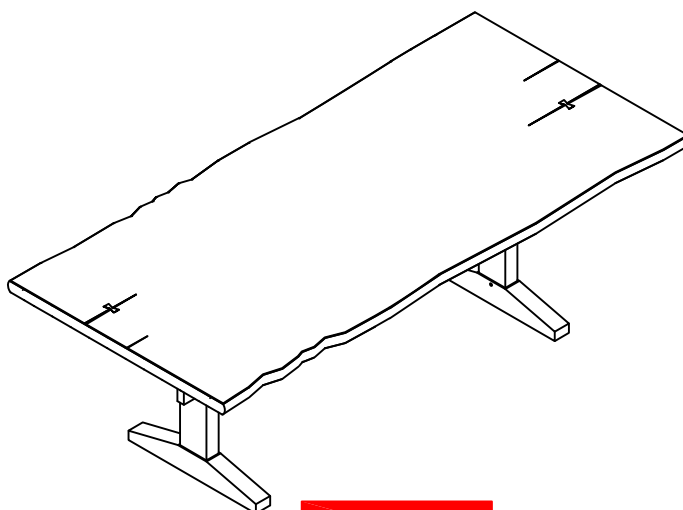


STEP 4

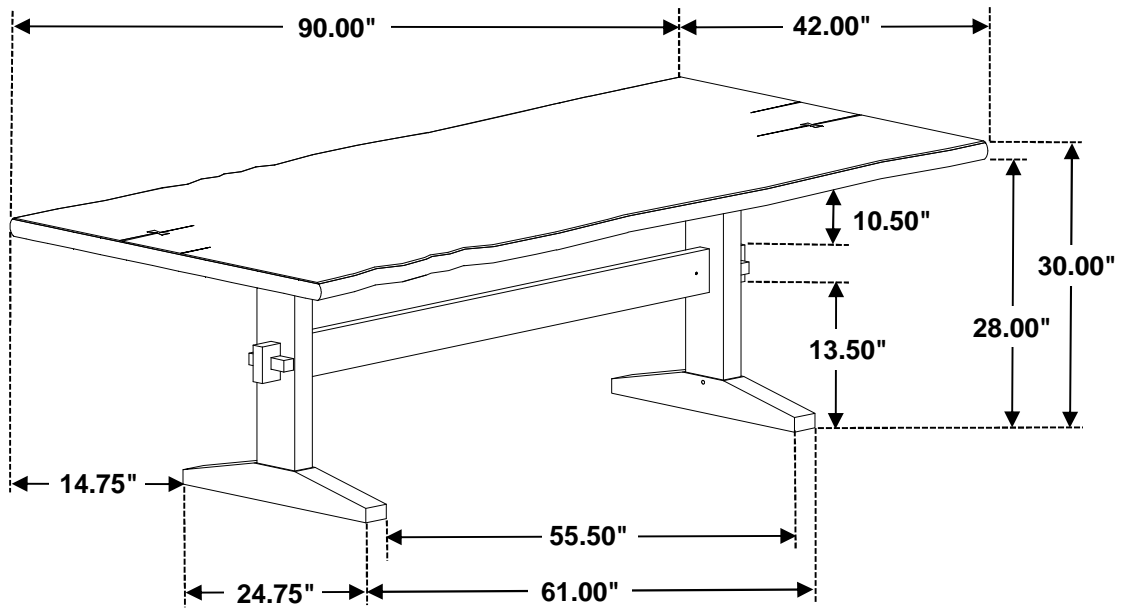


Adjustable Leveler

STEP 5  
COMPLETE



ITEM: 110331



Note: Dimension tolerance  $\pm 5\%$

S