



ASSEMBLY INSTRUCTIONS

COASTER FINE FURNITURE



Fine Furniture for every stage of life

110333
Bench

REVISION 0: 04/13/2017
REVISION 1: 09/04/2018
REVISION 2: 04/24/2019
REVISION 3: 07/24/2019
REVISION 4: 09/27/2019

PAGE 1 OF 5

COASTERFURNITURE.COM

BE-2086 / 09 / 19 SU

ITEM: 110333



ASSEMBLY INSTRUCTIONS

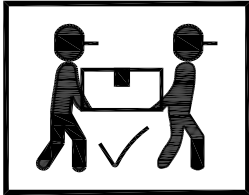
ASSEMBLY TIPS:

1. Remove hardware from box and sort by size.
2. Please check to see that all hardware and parts are present prior to start of assembly.
3. Please follow attached instructions in the same sequence as numbered to assure fast & easy assembly.



WARNING!

1. Don't attempt to repair or modify parts that are broken or defective. Please contact the store immediately.
2. This product is for home use only and not intended for commercial establishments.



ASSEMBLY TIME

15 MINUTES

PARTS IDENTIFICATION

A	SEAT		1PC
B	LEG FRAME		2PCS
C	CROSSBAR		1PC
D	WOOD CLEAT		2PCS

ITEM: 110333

ASSEMBLY INSTRUCTIONS

ASSEMBLY TIPS:

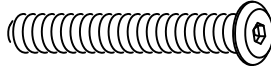
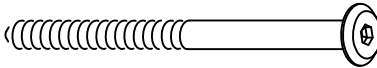
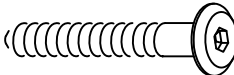






1. Remove hardware from box and sort by size.
2. Please check to see that all hardware and parts are present prior to start of assembly.
3. Please follow attached instructions in the same sequence as numbered to assure fast & easy assembly.



WARNING!

1. Don't attempt to repair or modify parts that are broken or defective. Please contact the store immediately.
2. This product is for home use only and not intended for commercial establishments.

HARDWARE IDENTIFICATION

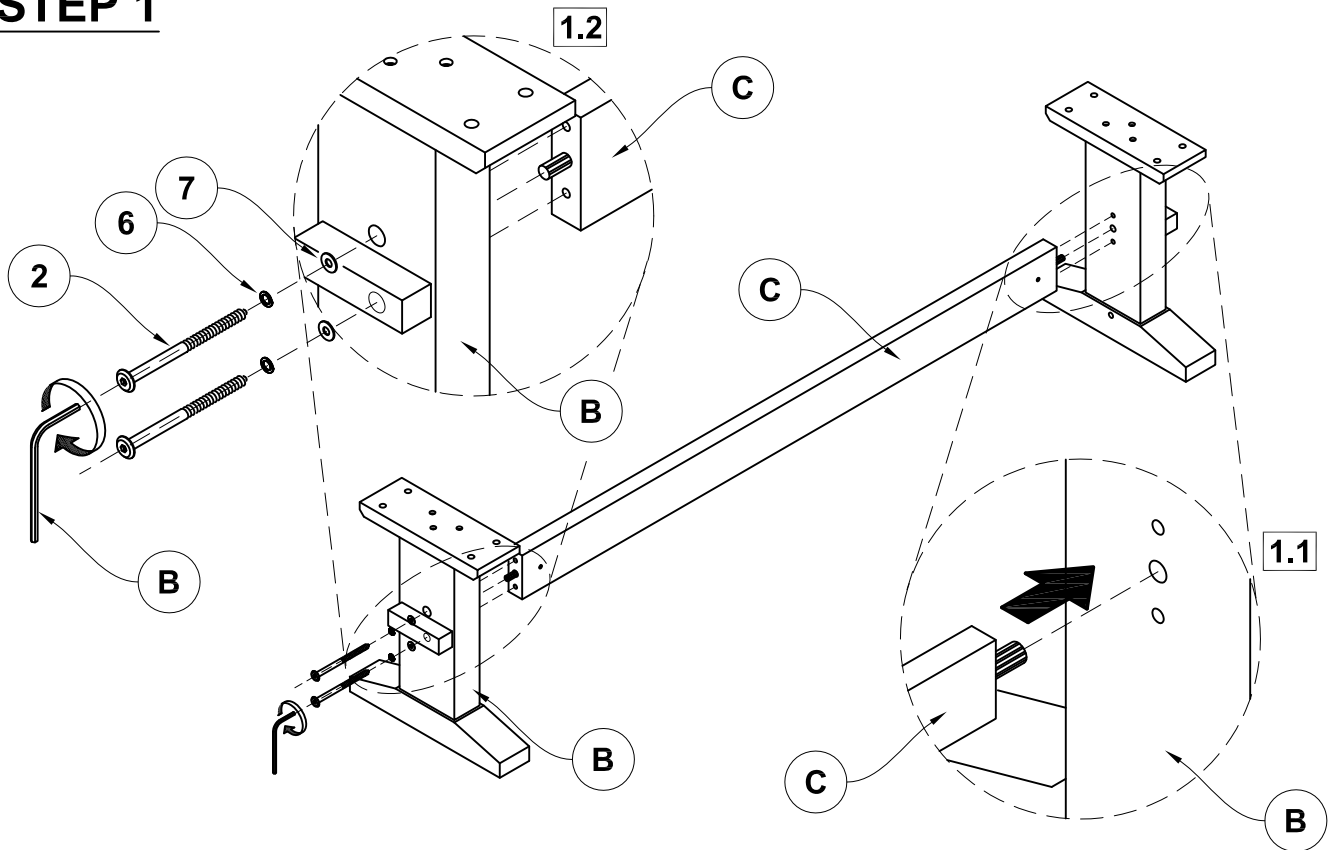
1	MEDIUM BOLT (M8 x 50mm - BLK)		8PCS
2	LONG BOLT (M6 x 100mm - BLK)		4PCS
3	SHORT BOLT (M6 x 35mm - BLK)		2PCS
4	BIG LOCK WASHER (Ø13 x Ø8 x 2mm - BLK)		8PCS
5	BIG FLAT WASHER (Ø18 x Ø8 x 1mm - BLK)		8PCS
6	SMALL LOCK WASHER (Ø13 x Ø6 x 1mm - BLK)		6PCS
7	SMALL FLAT WASHER (Ø16 x Ø6.5 x 1mm - BLK)		6PCS
8	SMALL ALLEN WRENCH (4MM - BLK)		1PC
9	BIG ALLEN WRENCH (5MM - BLK)		1PC

ITEM: 110333

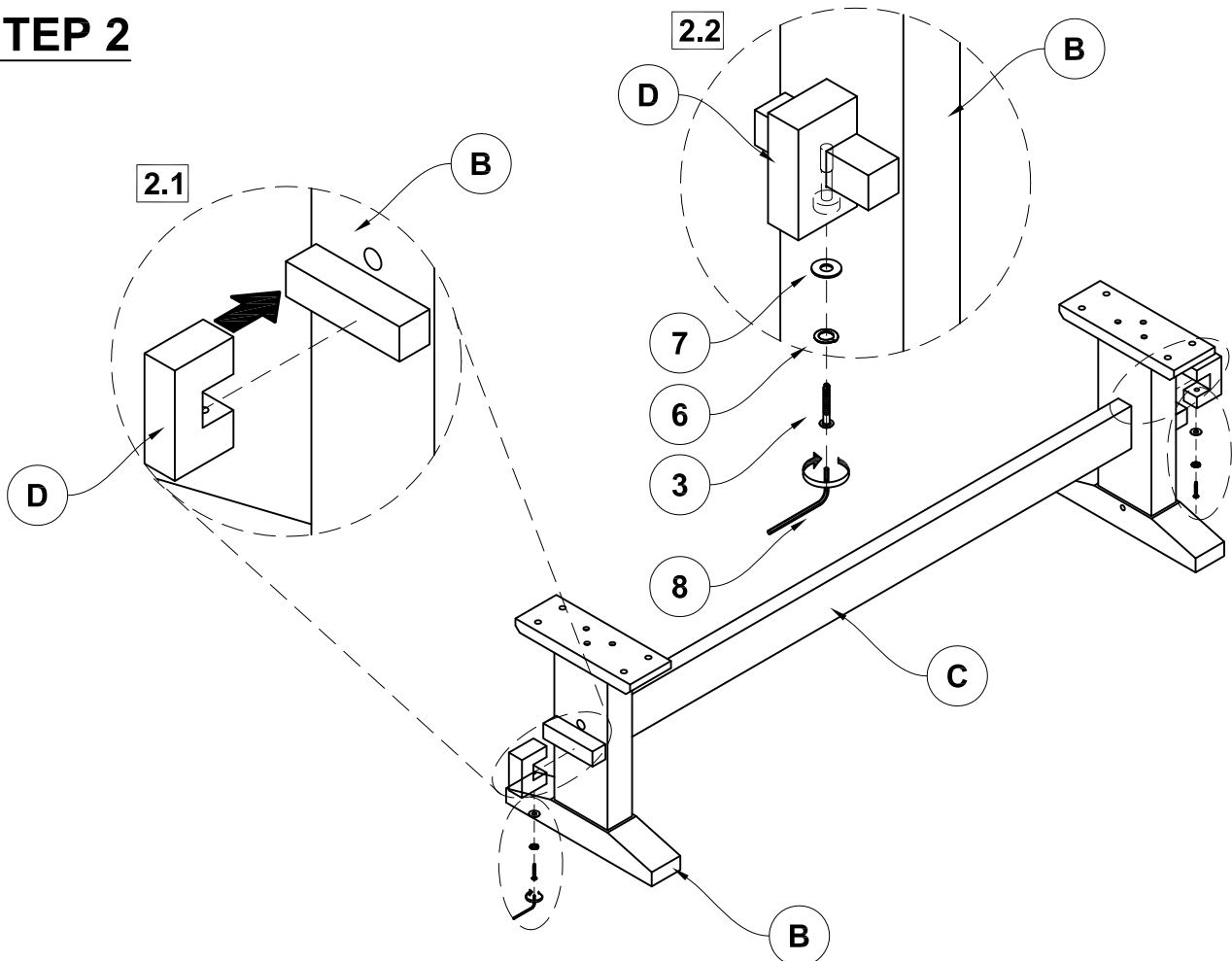
ASSEMBLY INSTRUCTIONS



STEP 1



STEP 2

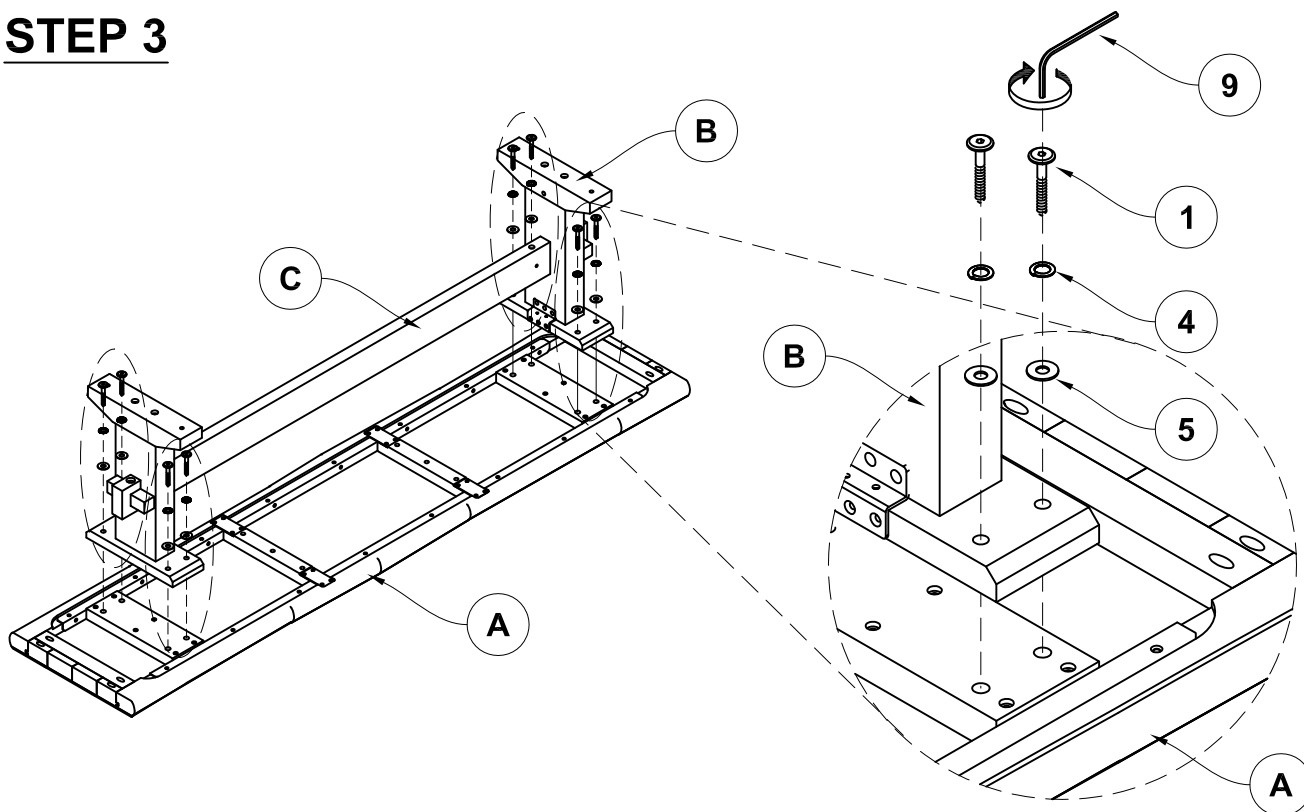


ITEM: 110333

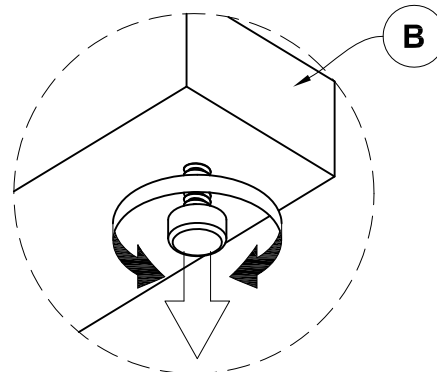
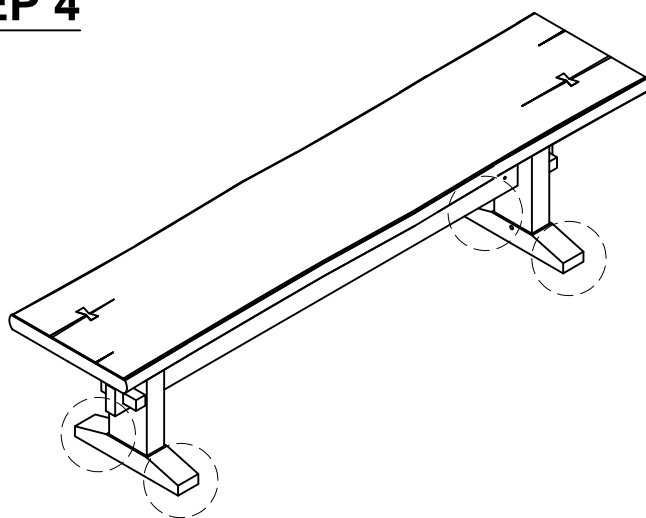
ASSEMBLY INSTRUCTIONS



STEP 3

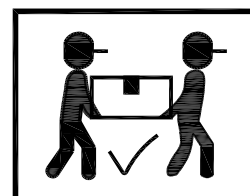
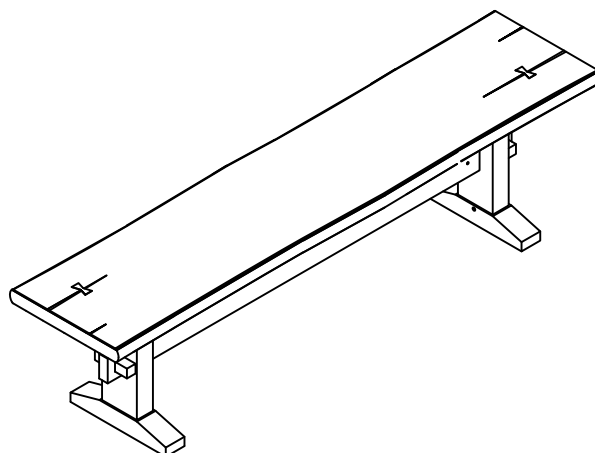


STEP 4

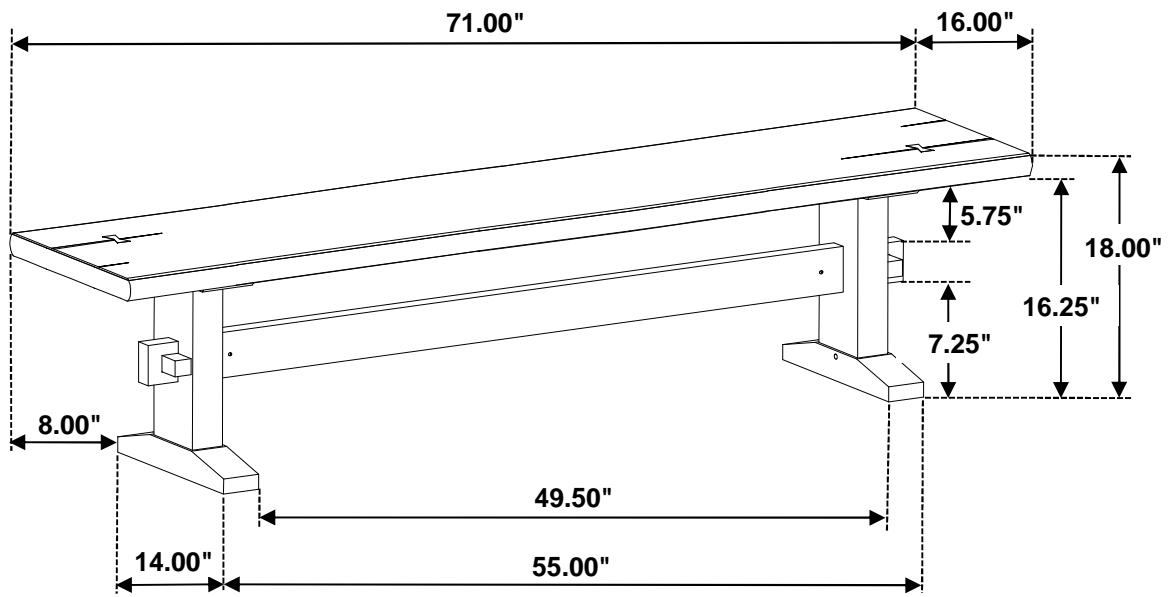


Adjustable Leveler

STEP 5 COMPLETE



ITEM: 110333



Note: Dimension tolerance $\pm 5\%$

S