

ASSEMBLY INSTRUCTIONS
COASTER FINE FURNITURE



Fine Furniture for every stage of life

193801(B1&B2)
Dining Table

ASSEMBLY INSTRUCTIONS

ASSEMBLY TIPS:

1. Remove hardware from box and sort by size.
2. Please check to see that all hardware and parts are present prior to start of assembly.
3. Please follow attached instructions in the same sequence as numbered to assure fast & easy assembly.



WARNING!

1. Don't attempt to repair or modify parts that are broken or defective. Please contact the store immediately.
2. This product is for home use only and not intended for commercial establishments.



ASSEMBLY TIME

15 MINUTES

PARTS IDENTIFICATION

B1(BOX 1)

A	TOP		1PC
---	-----	---	-----

B	LEG CONNECTOR		1PC
---	---------------	--	-----

B2(BOX 2)

C	LEG FRAME		4PCS
---	-----------	---	------

HARDWARE IDENTIFICATION

Z-B1(BOX 1) - HARDWARE PACK IS LOCATED IN 193801(B1)

1	BOLT (JCBC M6 X 25mm)		16PCS
---	--------------------------	---	-------

2	ALLEN WRENCH (M4 - BLK)		1PC
---	----------------------------	---	-----

3	LOCK WASHER (M6 - BLK)		16PCS
---	---------------------------	---	-------

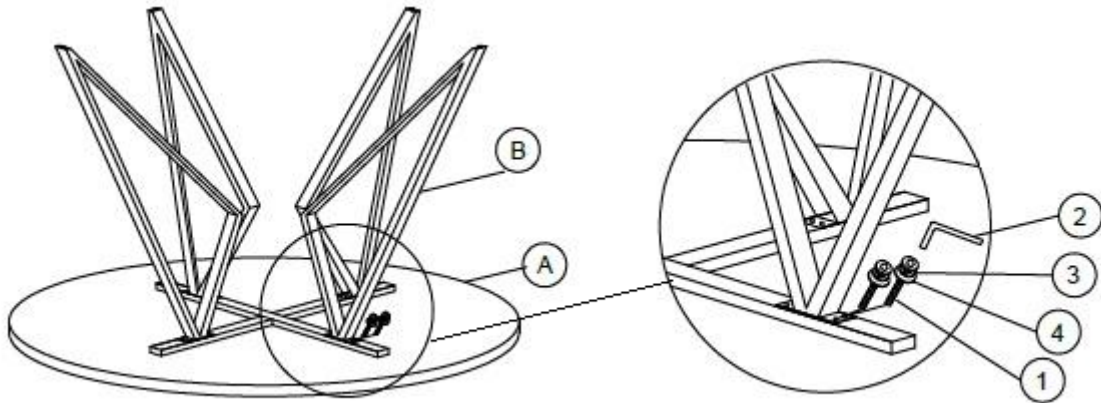
4	FLAT WASHER (M6 - BLK)		16PCS
---	---------------------------	---	-------

ITEM: **193801(B1&B2)**

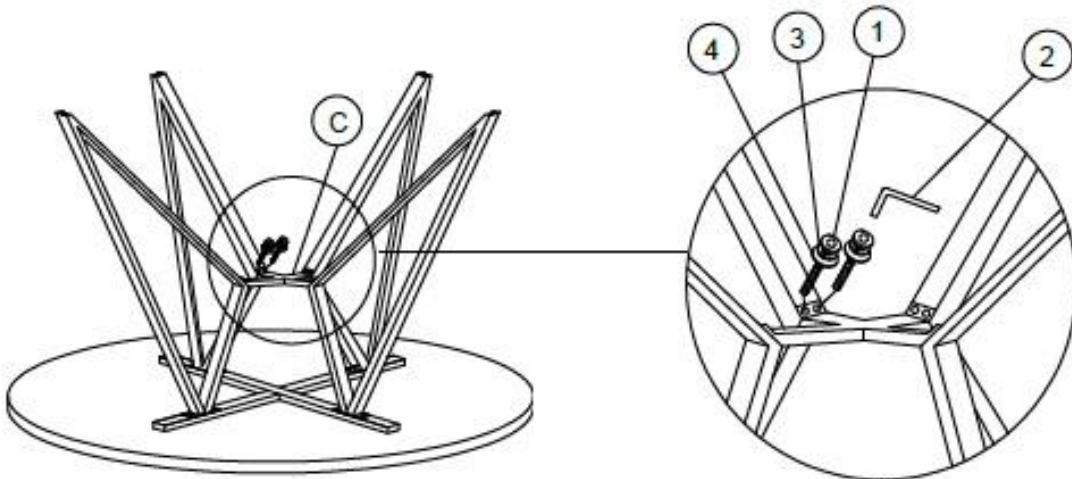


ASSEMBLY INSTRUCTIONS

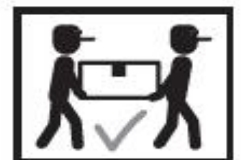
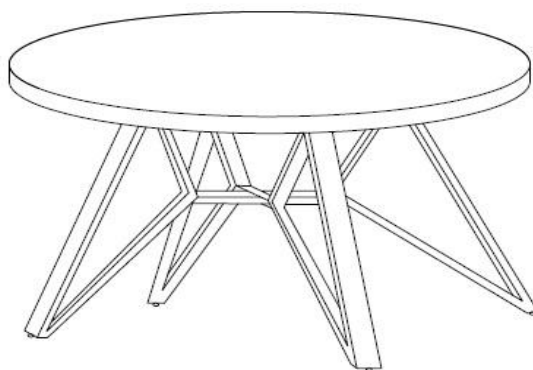
STEP 1



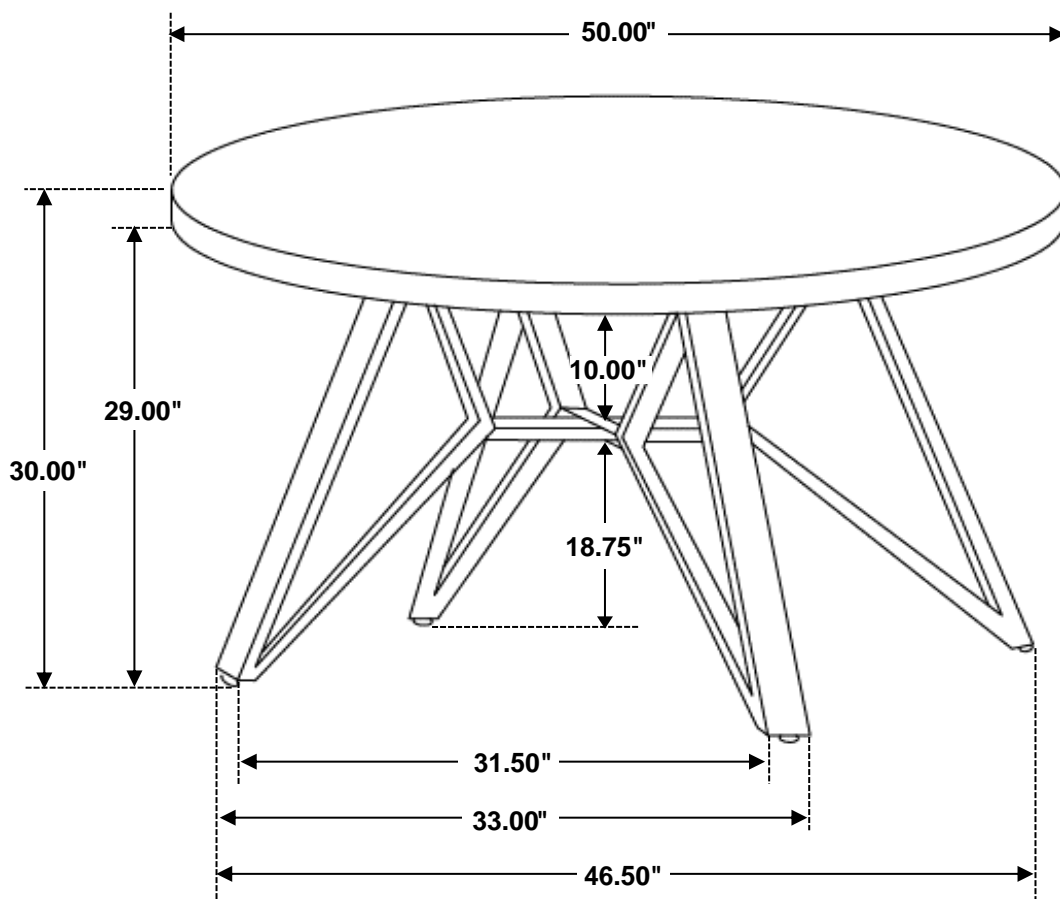
STEP 2



STEP 3
COMPLETE



ITEM: **193801(B1&B2)**



Note: Dimension tolerance $\pm 5\%$