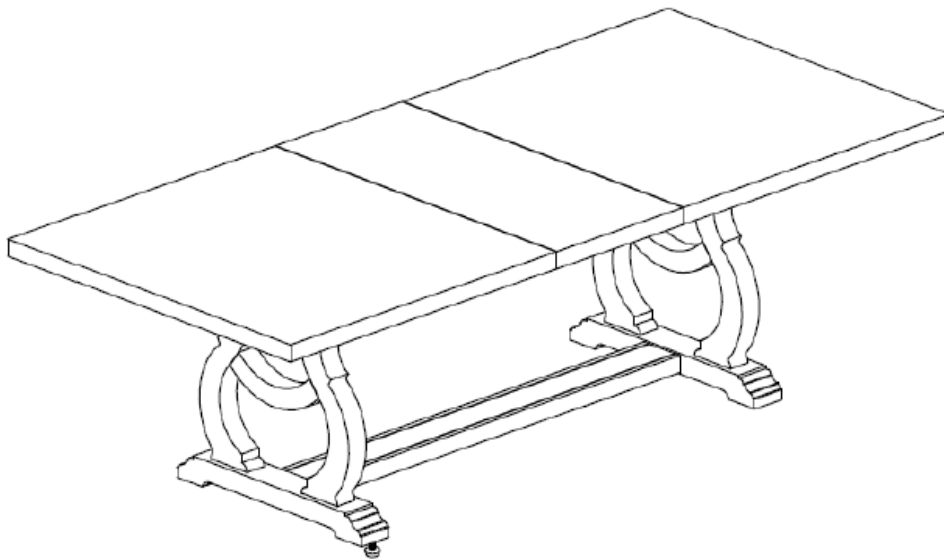


ASSEMBLY INSTRUCTIONS
COASTER FINE FURNITURE



Fine Furniture for every stage of life

110291(B1&B2)
Dining Table

ITEM: 110291(B1&B2)

ASSEMBLY INSTRUCTIONS

ASSEMBLY TIPS:

1. Remove hardware from box and sort by size.
2. Please check to see that all hardware and parts are present prior to start of assembly.
3. Please follow attached instructions in the same sequence as numbered to assure fast & easy assembly.



WARNING!

1. Don't attempt to repair or modify parts that are broken or defective. Please contact the store immediately.
2. This product is for home use only and not intended for commercial establishments.

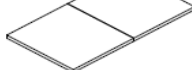
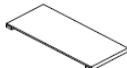




ASSEMBLY TIME

15 MINUTES

PARTS IDENTIFICATION

B1 (BOX 1)





A	TOP		1PC
B	LEAF		1PC
C	UPPER CROSSBAR		1PC
D	LOWER CROSSBAR		1PC

B2 (BOX 2)

E	LEG FRAME		2PCS
---	-----------	---	------

HARDWARE IDENTIFICATION

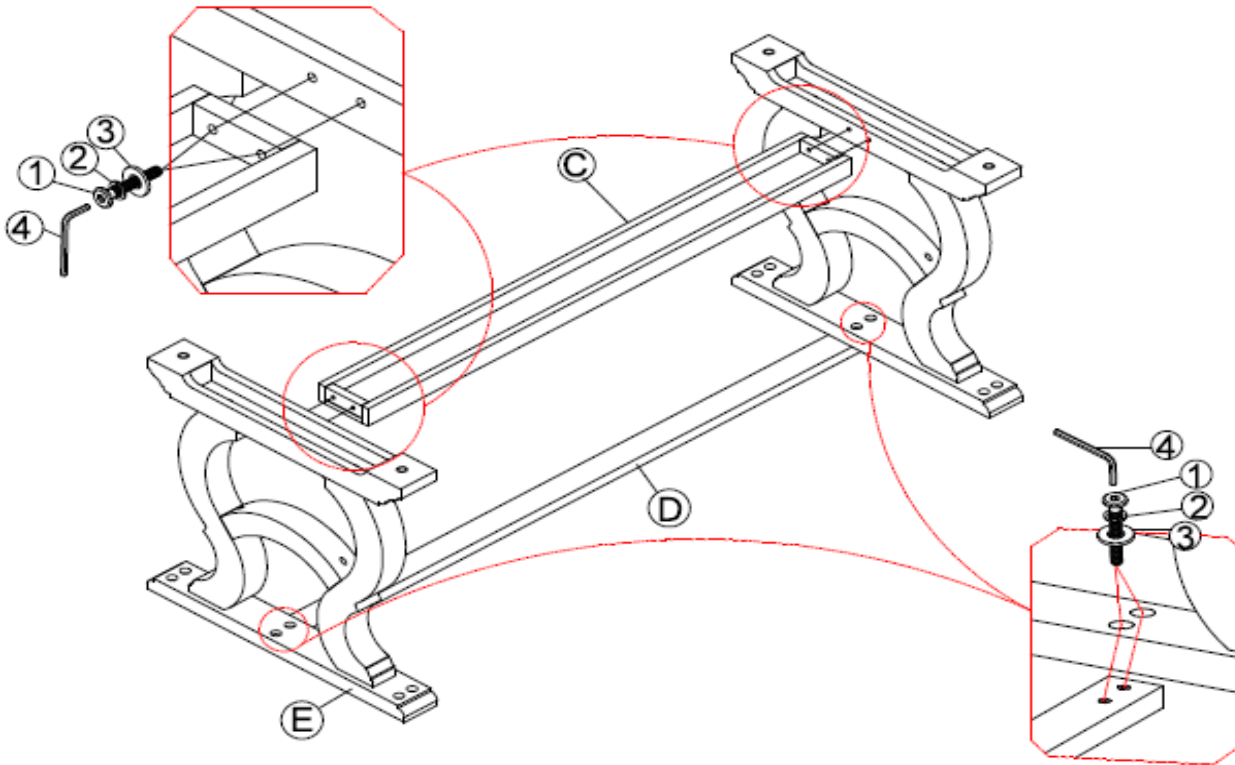
Z-B1 (BOX 1) - HARDWARE PACK IS LOCATED IN 110291(B1)

1	BOLT (Ø5/16 x 13 x 45mm - RBW)		16PCS
2	LOCK WASHER (Ø5/16 x 10 x 1.1mm - RBW)		16PCS
3	FLAT WASHER (Ø5/16 x 22 x 2mm - RBW)		16PCS
4	ALLEN WRENCH (4 x 60mm - RBW)		1PC

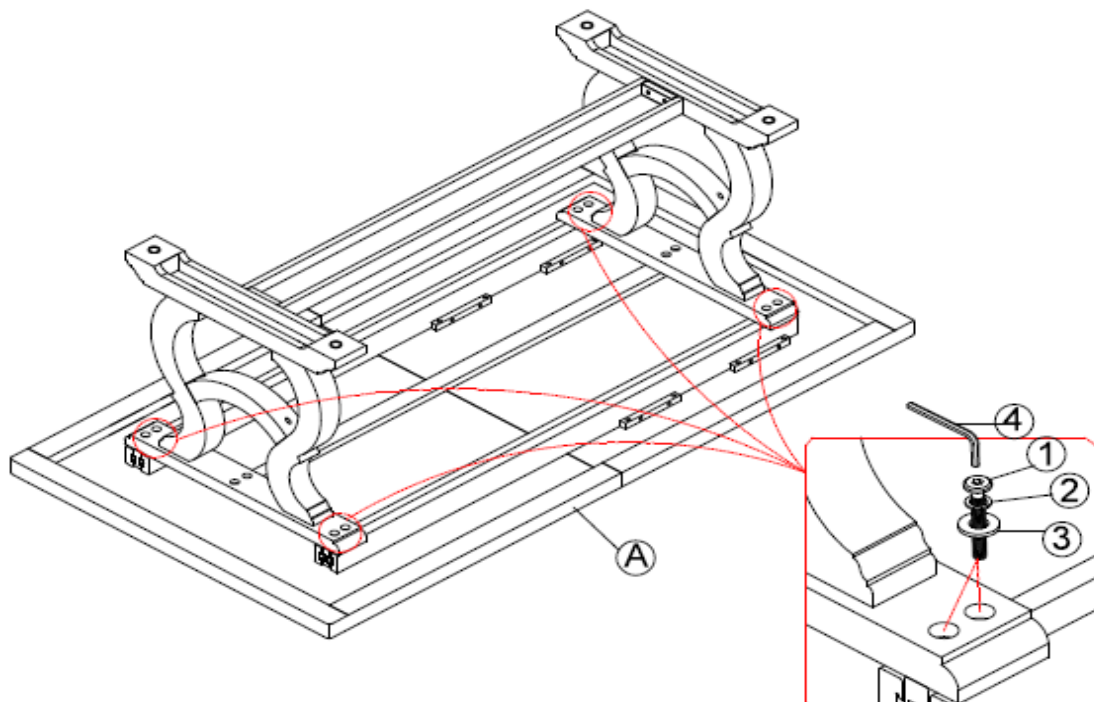
ITEM: **110291(B1&B2)**



ASSEMBLY INSTRUCTIONS
STEP 1



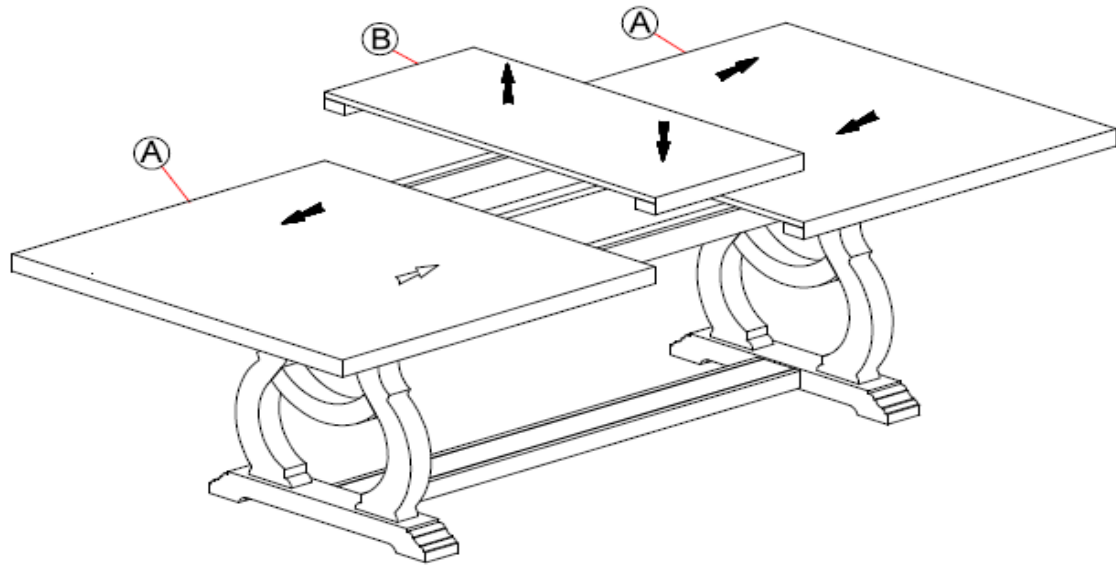
STEP 2



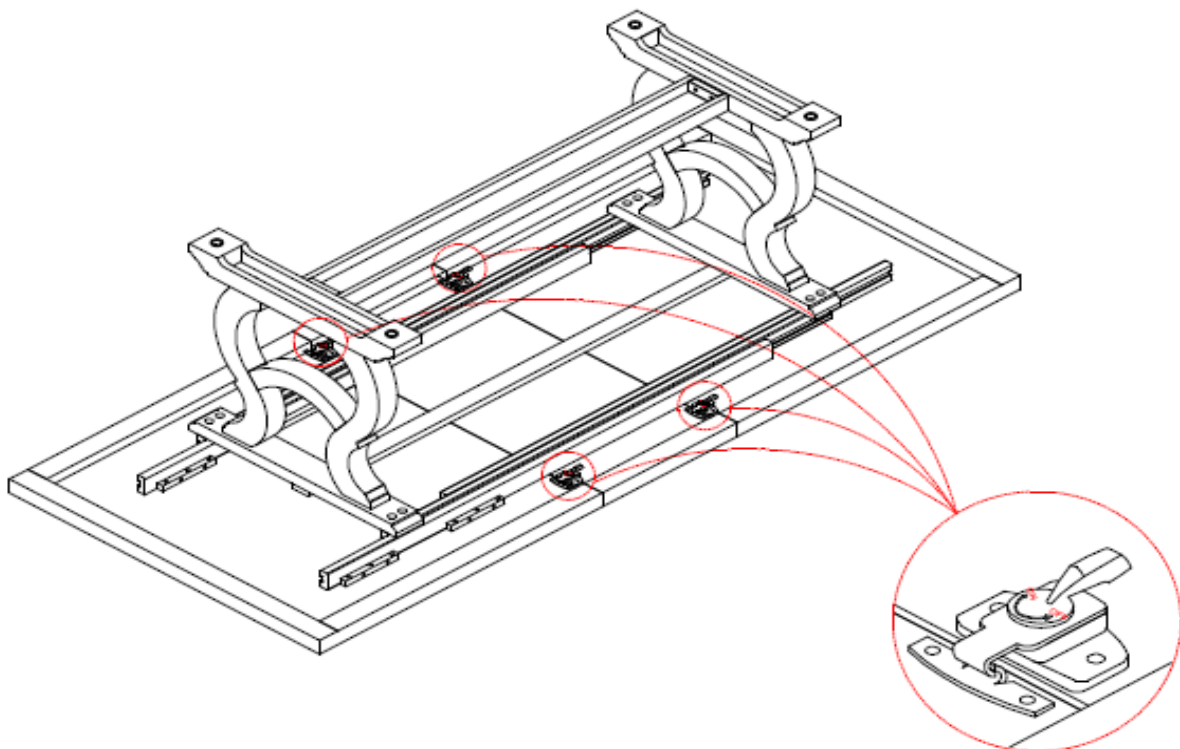
ITEM: **110291(B1&B2)**



ASSEMBLY INSTRUCTIONS
STEP 3



STEP 4

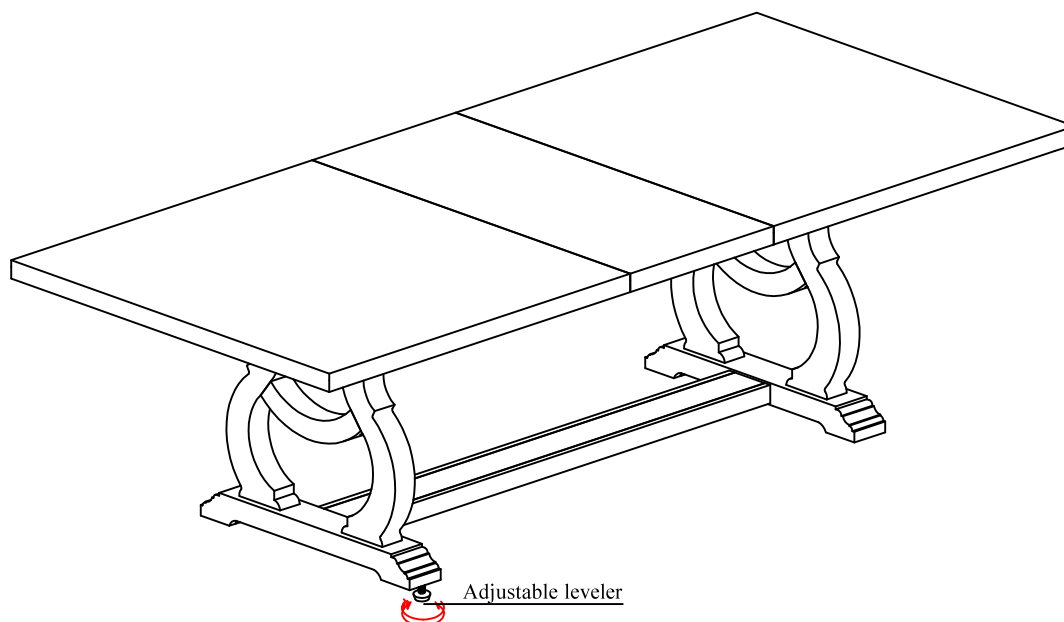


ITEM: **110291(B1&B2)**

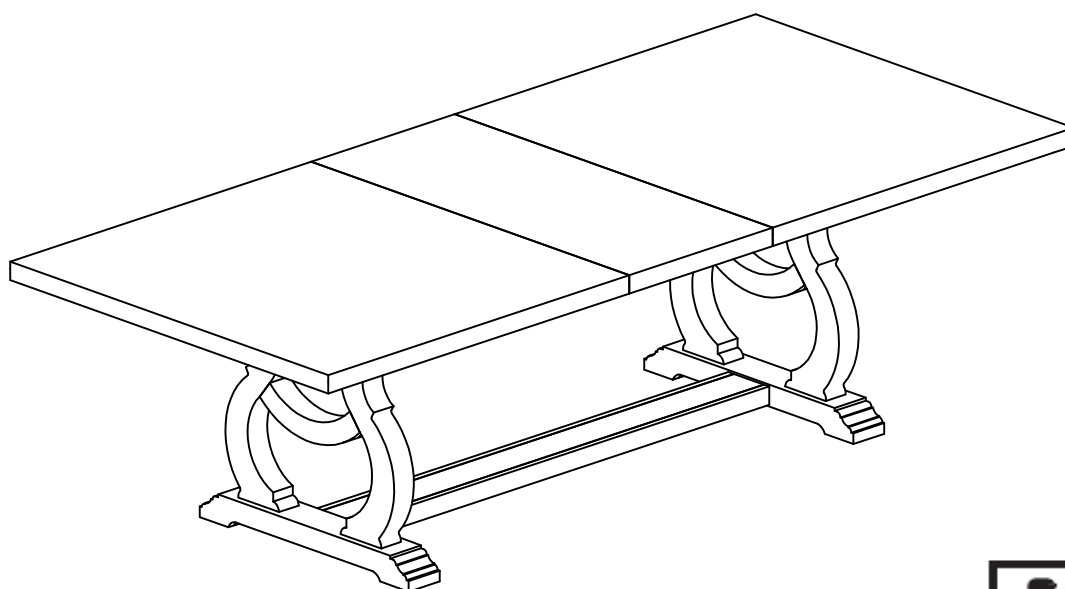


ASSEMBLY INSTRUCTIONS

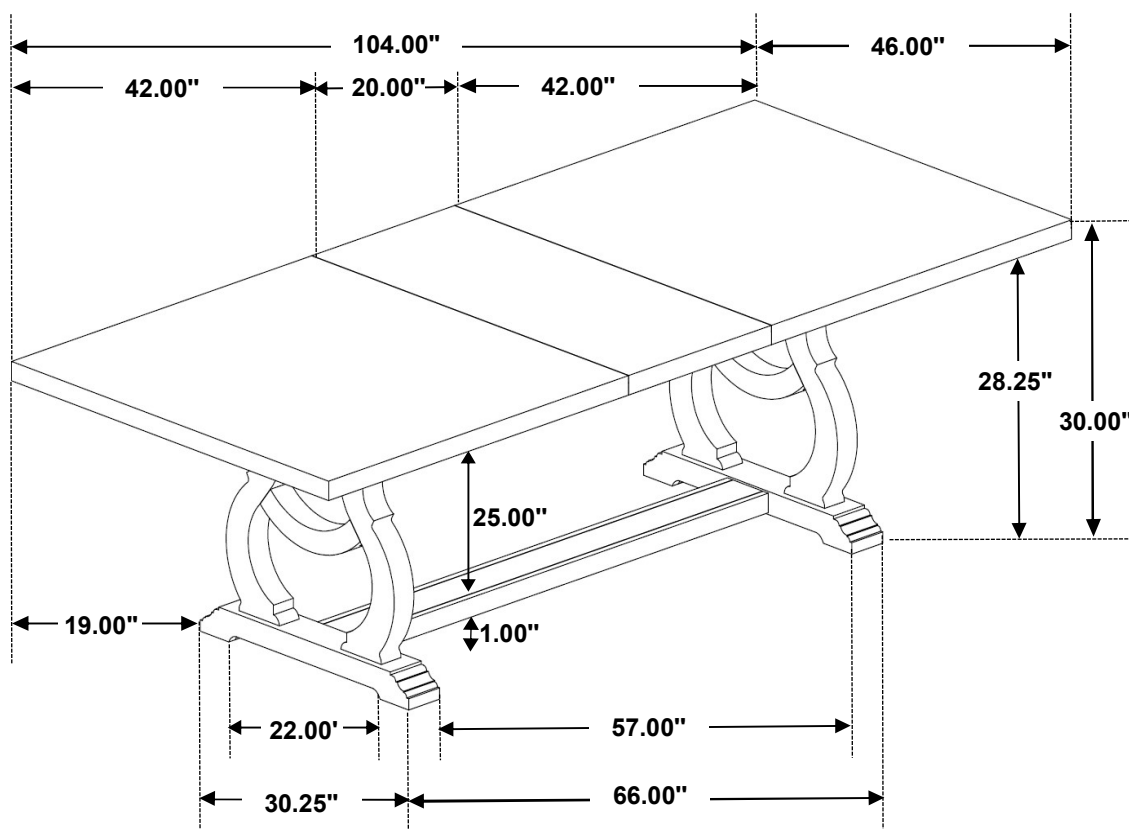
STEP 5



STEP 6
COMPLETE



ITEM: 110291(B1&B2)



Note: Dimension tolerance $\pm 5\%$