

ASSEMBLY INSTRUCTIONS
COASTER FINE FURNITURE



Fine Furniture for every stage of life

3058
COAT RACK

ITEM: **3058**



ASSEMBLY INSTRUCTIONS

ASSEMBLY TIPS:

1. Remove hardware from box and sort by size.
2. Please check to see that all hardware and parts are present prior to start of assembly.
3. Please follow attached instructions in the same sequence as numbered to assure fast & easy assembly.



WARNING!

1. Don't attempt to repair or modify parts that are broken or defective. Please contact the store immediately.
2. This product is for home use only and not intended for commercial establishments.

ASSEMBLY TIME

10 MINUTES

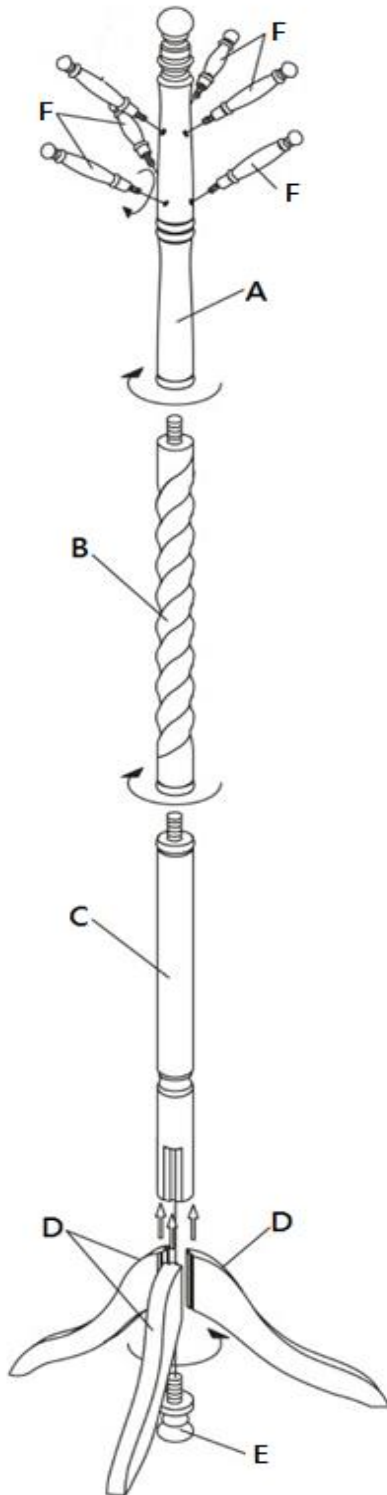
PARTS IDENTIFICATION

A	TOP POST		1PC
B	CENTER POST		1PC
C	BOTTOM POST		1PC
D	LEG		3PCS
E	WOODEN KNOB WITH BOLT		1PC
F	HANGER		6PCS

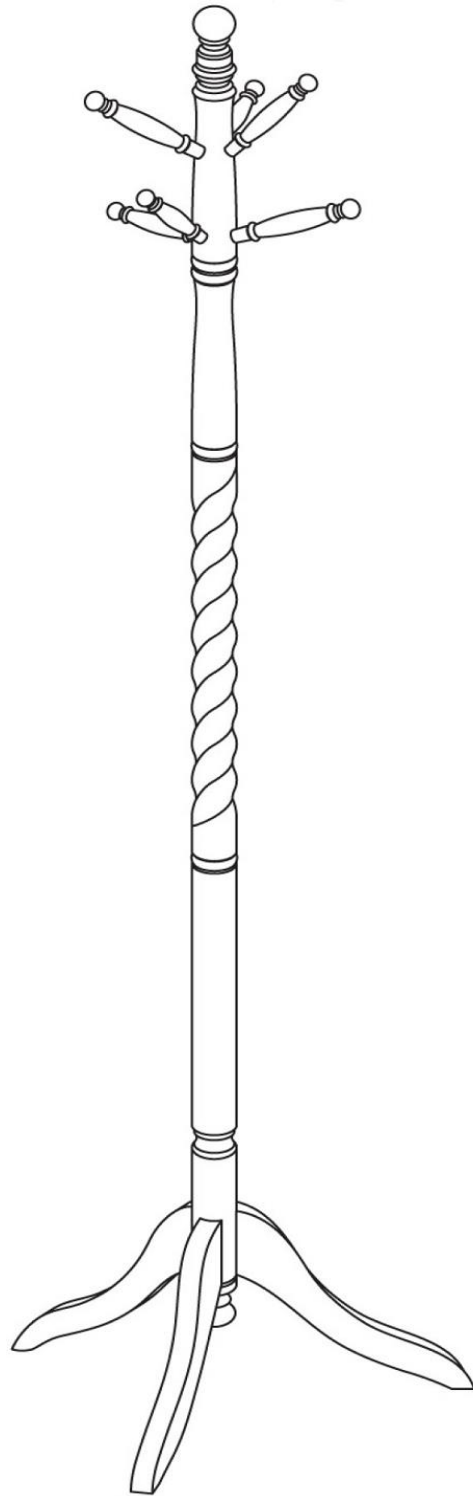
ITEM: **3058**



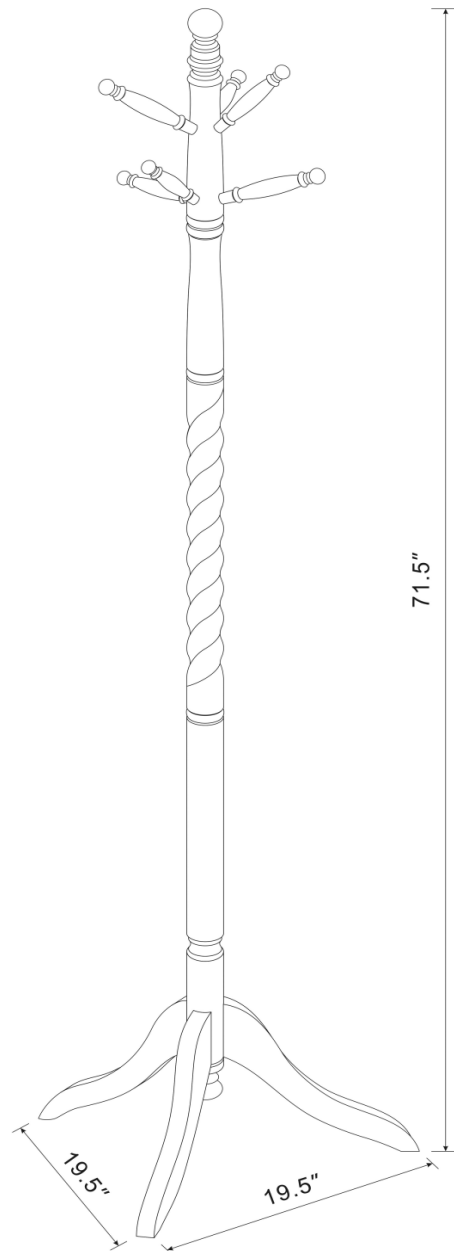
ASSEMBLY INSTRUCTIONS
STEP 1



STEP 2
COMPLETE



ITEM:3058



Note : Dimension tolerance $\pm 5\%$