

ASSEMBLY INSTRUCTIONS
COASTER FINE FURNITURE



Fine Furniture for every stage of life

720878
COFFEE TABLE

ITEM:720878

ASSEMBLY INSTRUCTIONS

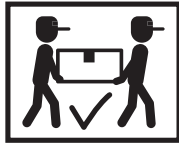
ASSEMBLY TIPS:

1. Remove hardware from box and sort by size.
2. Please check to see that all hardware and parts are present prior to start of assembly.
3. Please follow attached instructions in the same sequence as numbered to assure fast & easy assembly.



WARNING!

1. Don't attempt to repair or modify parts that are broken or defective. Please contact the store immediately.
2. This product is for home use only and not intended for commercial establishments.

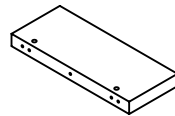


ASSEMBLY TIME

30 MINUTES

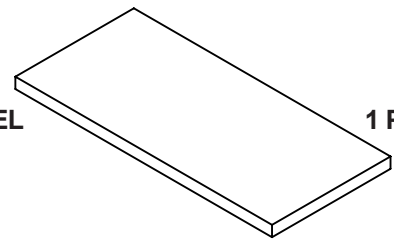
PARTS IDENTIFICATION

A SIDE PANEL



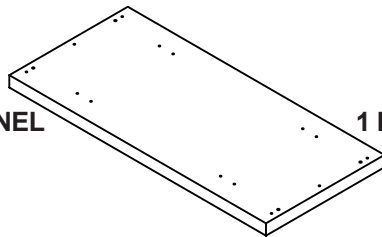
2 PCS

C TOP PANEL



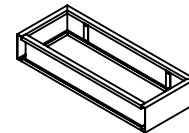
1 PC

B BOTTOM PANEL



1 PC



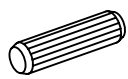

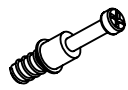


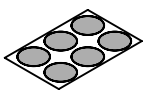

D METAL FRAME



2 PCS

Z

HARDWARE IDENTIFICATION

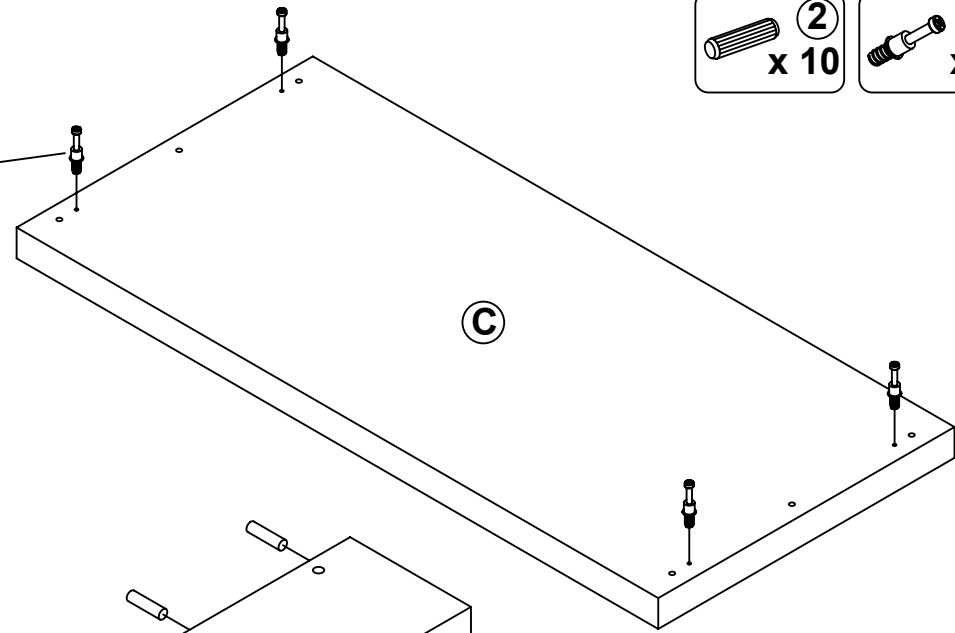
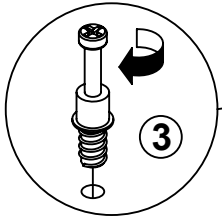
| NO | DESCRIPTION | FIGURE | Q'TY | NO | DESCRIPTION | FIGURE | Q'TY |
|----|---------------------------|---|--------|----|----------------------------------|---|-------|
| 1 | GLUE 15g |  | 1 PC | 6 | BOLT M6x63mm BLK |  | 8 PCS |
| 2 | WOODEN DOWEL Ø 8x30mm |  | 10 PCS | 7 | FILLING PIECE Ø 15mm x 4 HOLE |  | 2 PCS |
| 3 | CAM BOLT Ø 7x35.5mm SR |  | 4 PCS | 8 | ALLEN WRENCH 4mm SR |  | 1 PC |
| 4 | CAM LOCK Ø15x12mm SR |  | 4 PCS | 9 | STICKER Ø 20mm |  | 1 PC |
| 5 | BOLT Ø 9.5x55mm SR |  | 6 PCS | | | | |

NOTE:

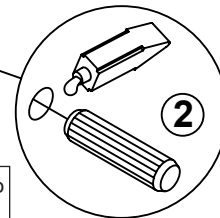
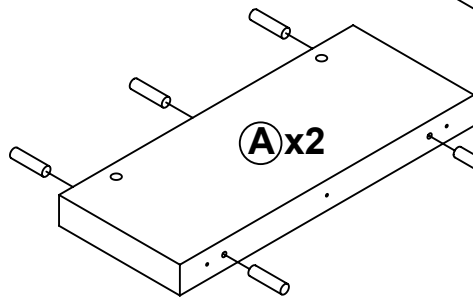
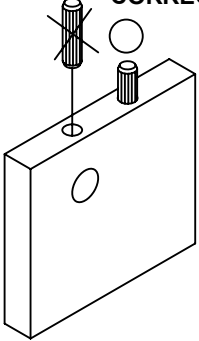
Phillips head screw driver is required in the assembly process; however, manufacturer does not provide this item.

ITEM: 720878

STEP 1

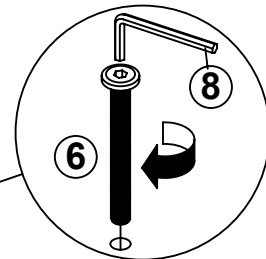
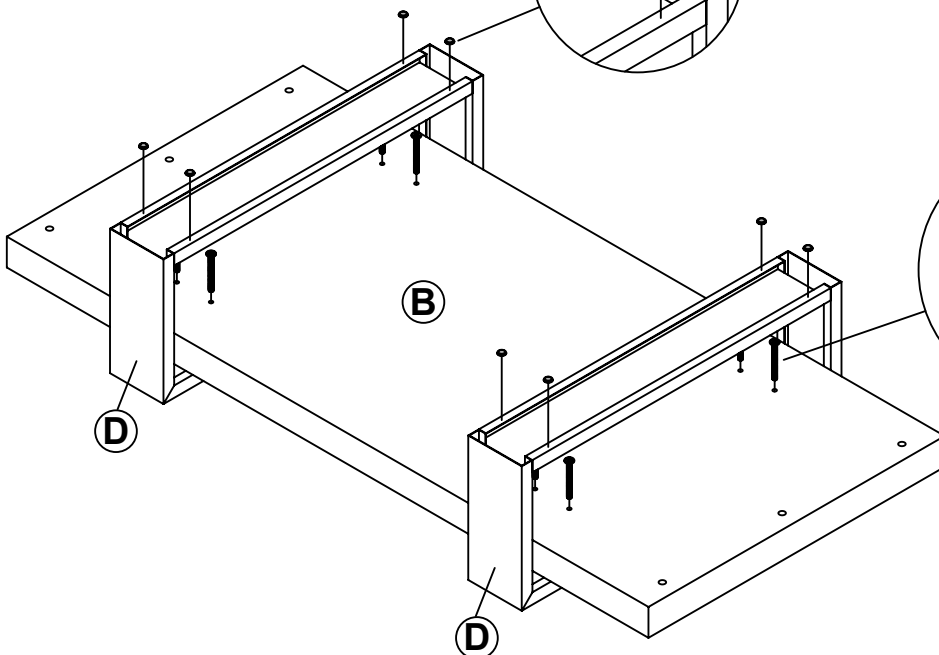
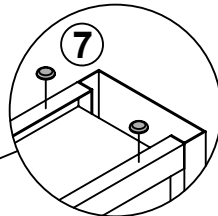
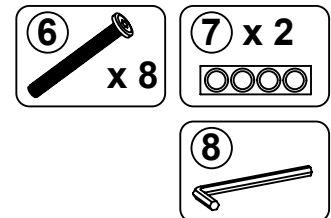


INCORRECT CORRECT



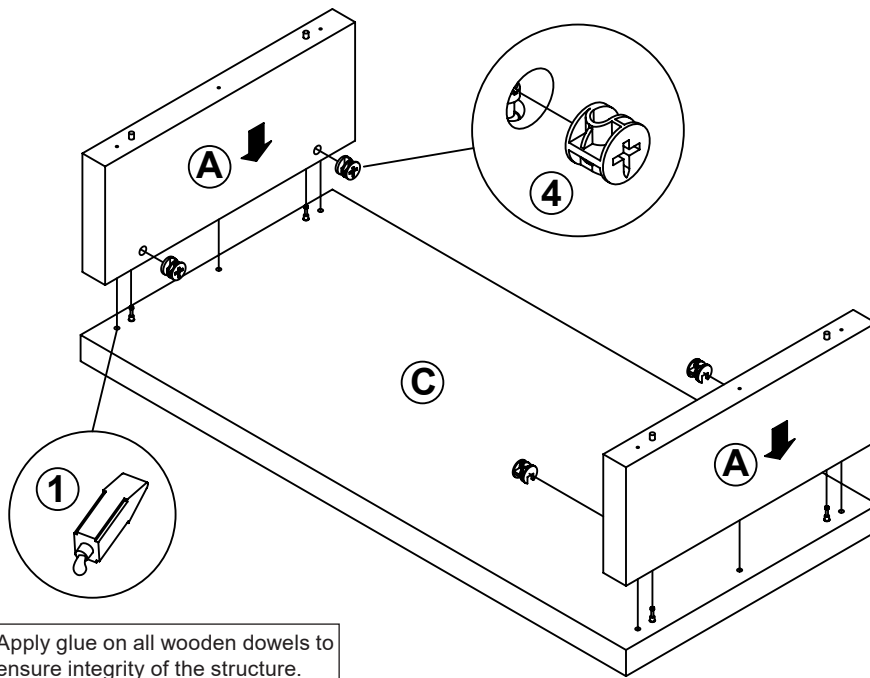
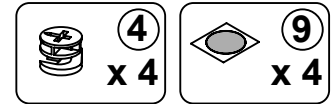
Apply glue on all wooden dowels to ensure integrity of the structure.

STEP 2

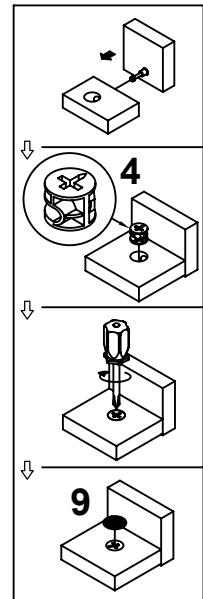


ITEM: 720878

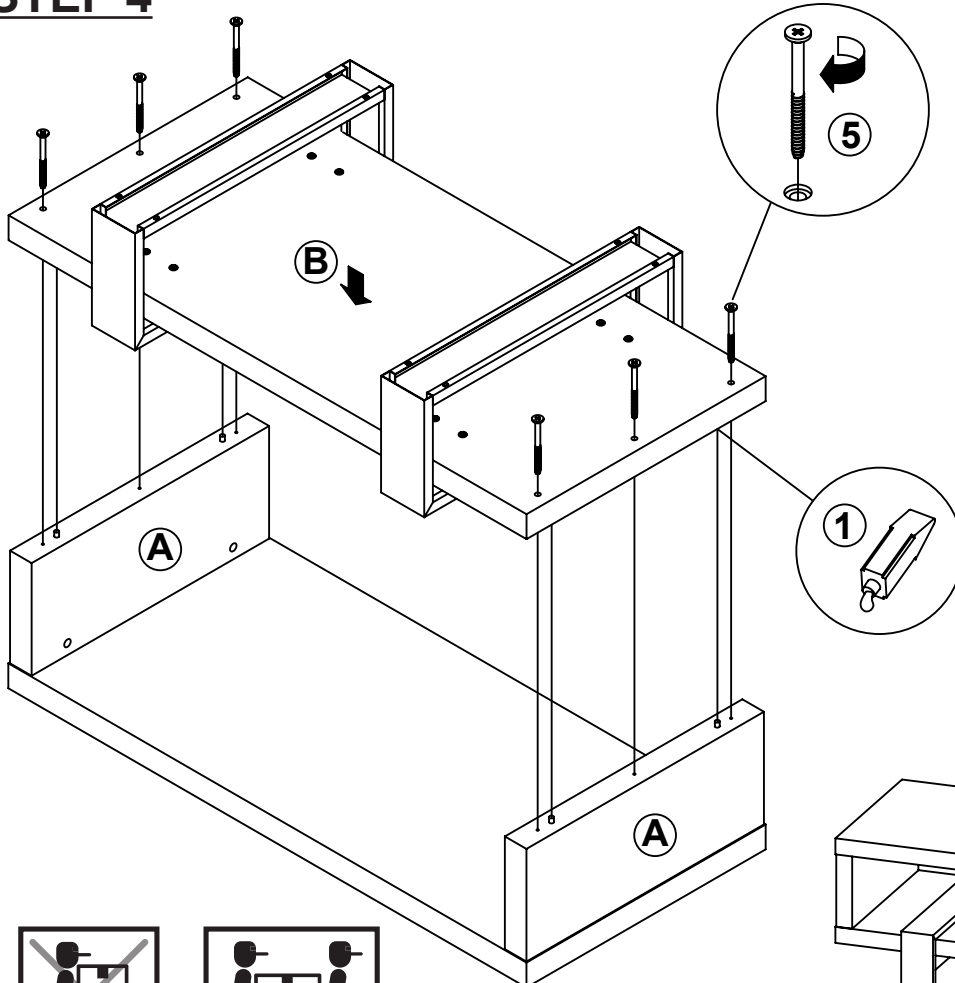
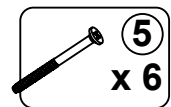
STEP 3



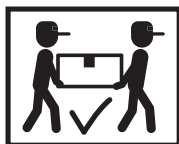
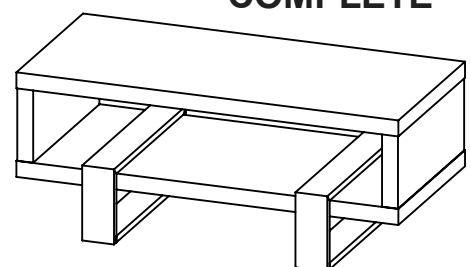
Apply glue on all wooden dowels to ensure integrity of the structure.



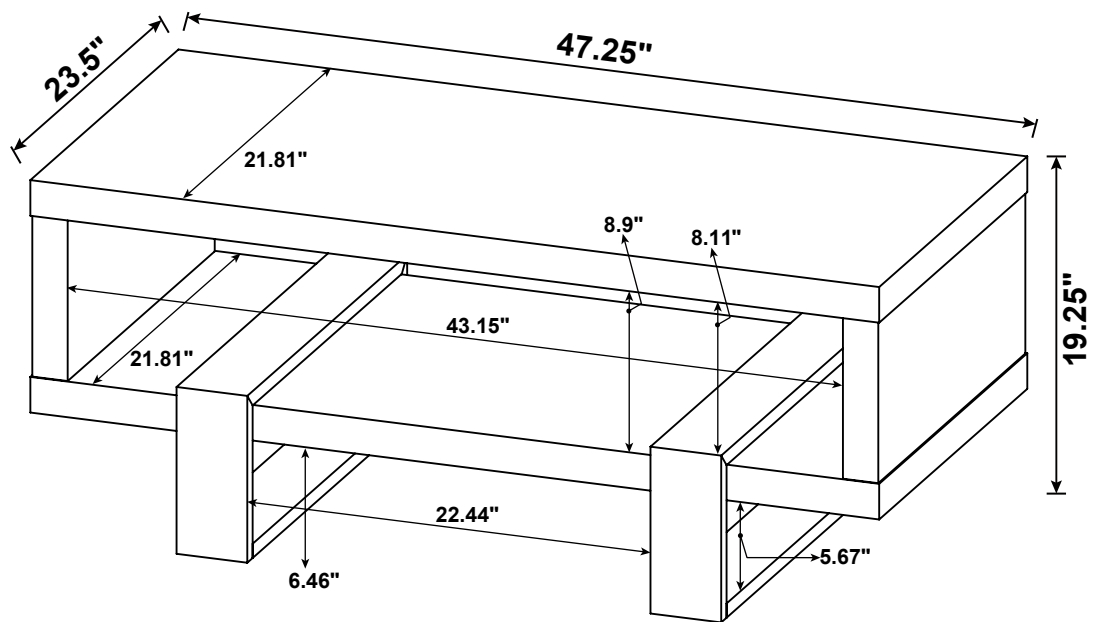
STEP 4



COMPLETE



ITEM: 720878



Note : Dimension tolerance $\pm 5\%$