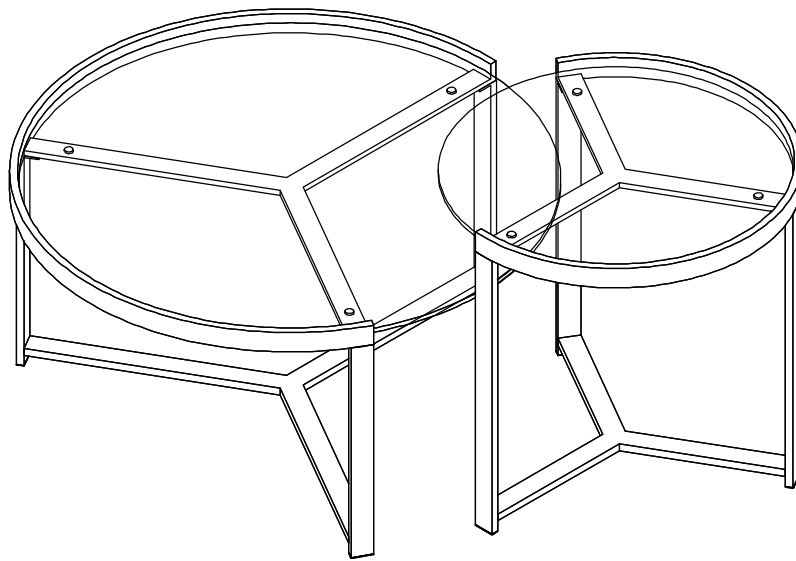


*ASSEMBLY INSTRUCTIONS*  
*COASTER FINE FURNITURE*



*Fine Furniture for every stage of life*

**930251**  
**2PC NESTING TABLE**

REVISION 0 : 10/24/2022

PAGE 1 OF 9

COASTERFURNITURE.COM

ITEM:930251



# ASSEMBLY INSTRUCTIONS

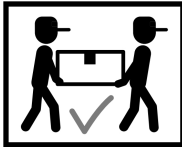
## ASSEMBLY TIPS:

1. Remove hardware from box and sort by size.
2. Please check to see that all hardware and parts are present prior to start of assembly.
3. Please follow attached instructions in the same sequence as numbered to assure fast & easy assembly.



## WARNING!

1. Don't attempt to repair or modify parts that are broken or defective. Please contact the store immediately.
2. This product is for home use only and not intended for commercial establishments.



ASSEMBLY TIME 35 MINUTES

## PARTS IDENTIFICATION

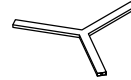
A	LARGE GLASS		1PC
B	LARGE TOP FRAME		1PC
C	LARGE BOTTOM FRAME		1PC
D	LARGE LEG		3PCS
E	SMALL GLASS		1PC
F	SMALL TOP FRAME		1PC

# ITEM:930251 ASSEMBLY INSTRUCTIONS



## PARTS IDENTIFICATION

G SMALL BOTTOM FRAME 1PC



H SMALL LEG 3PCS



## HARDWARE IDENTIFICATION

1 BOLT  
(1/4" x 10mm SR)



24PCS

3 CAP  
(13 x 38mm BLK)



6PCS

2 SUCTION CUP  
( $\phi$ 12mm)



6PCS

4 ALLEN WRENCH  
(4mm)

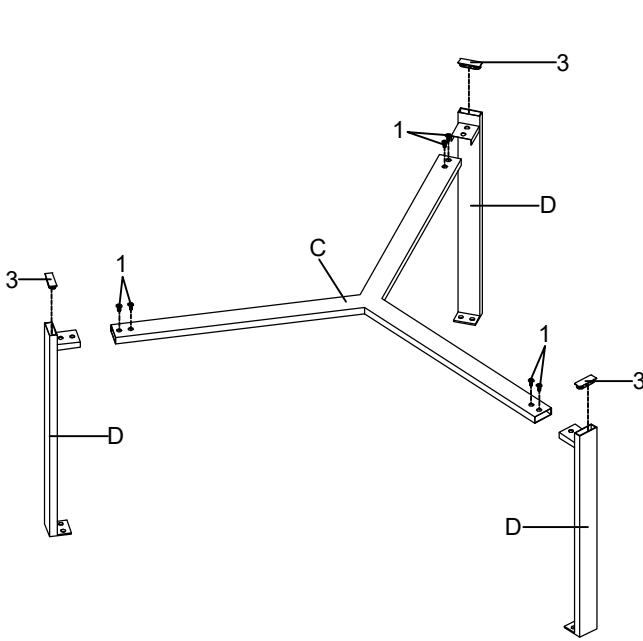


1PC

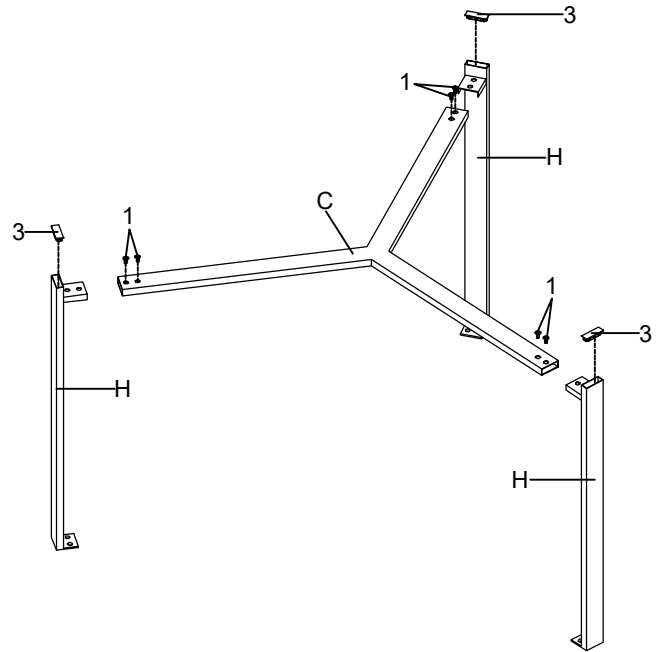
# ITEM:930251 ASSEMBLY INSTRUCTIONS



**STEP 1** Do not tighten until each step is completed or instructed.

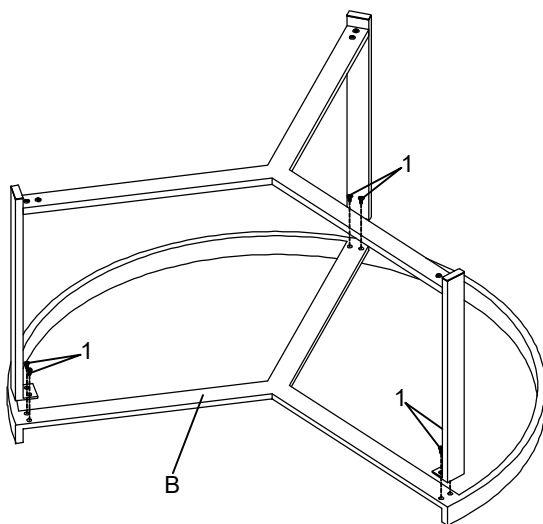


OPTION1

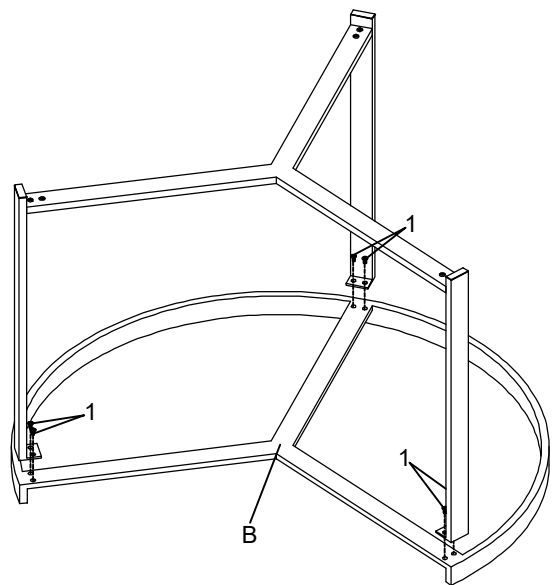


OPTION2

## STEP 2



OPTION1

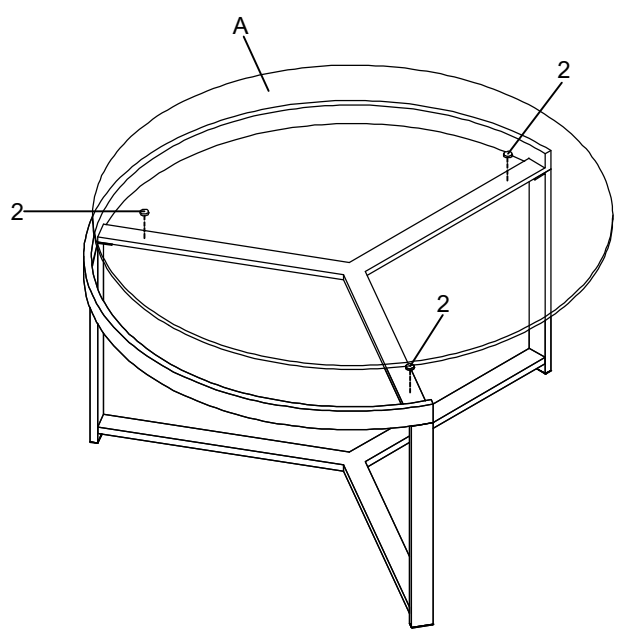


OPTION2

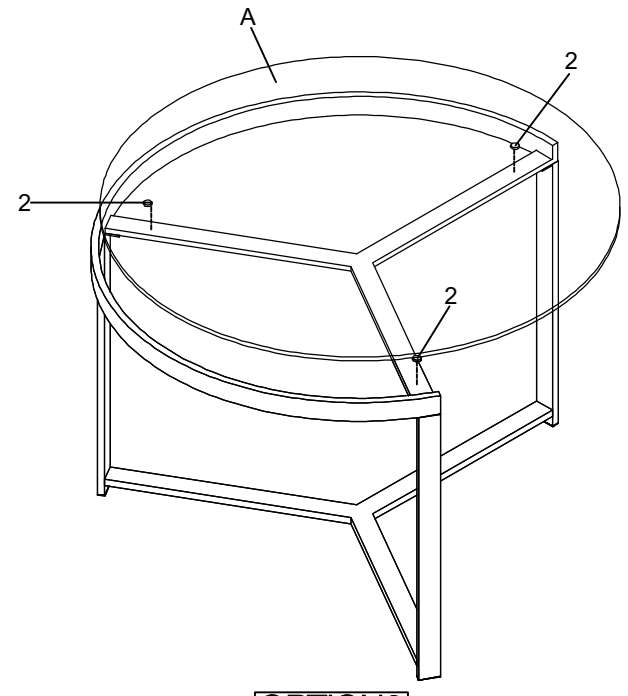
ITEM:930251  
ASSEMBLY INSTRUCTIONS



STEP 3

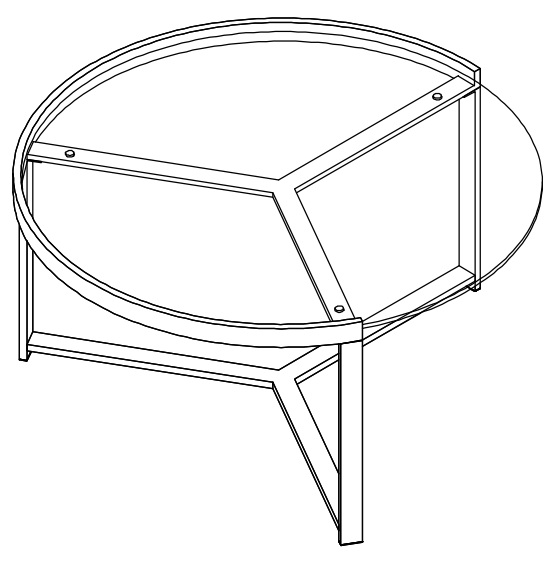


OPTION1

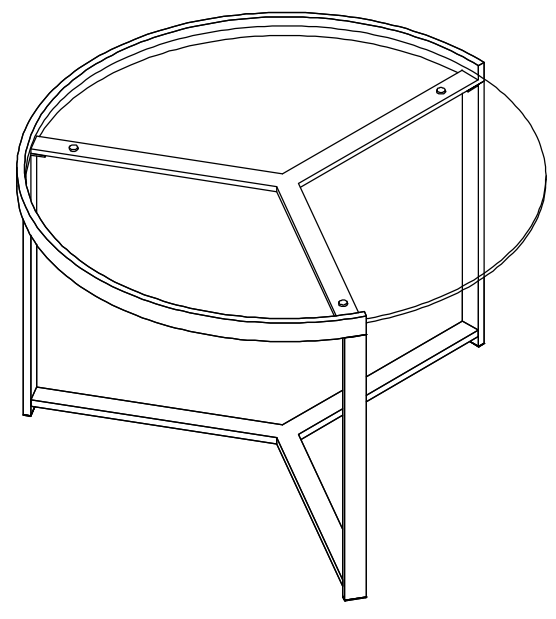


OPTION2

STEP 4  
COMPLETE

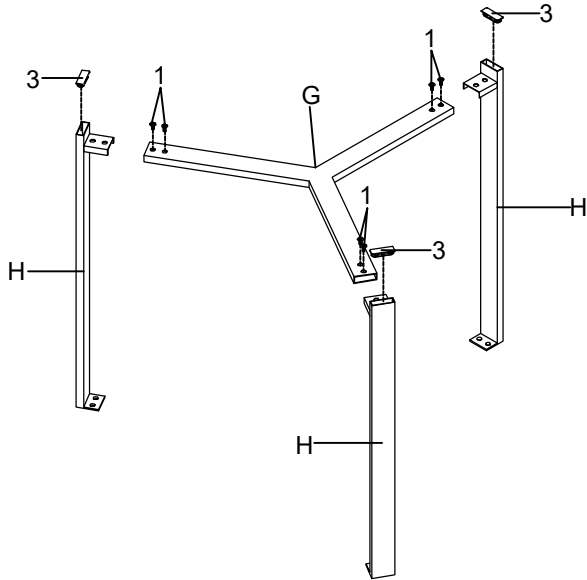


OPTION1

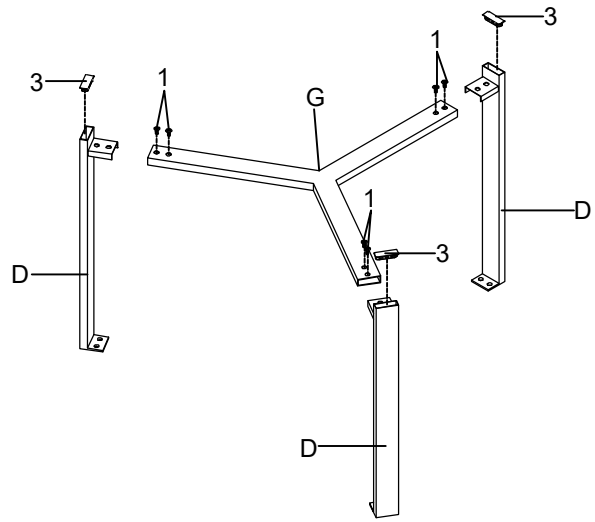


OPTION2

# ITEM:930251 ASSEMBLY INSTRUCTIONS STEP 5

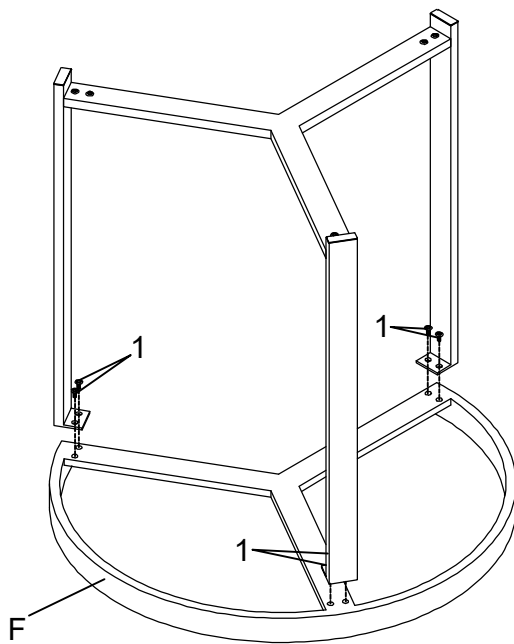


OPTION1

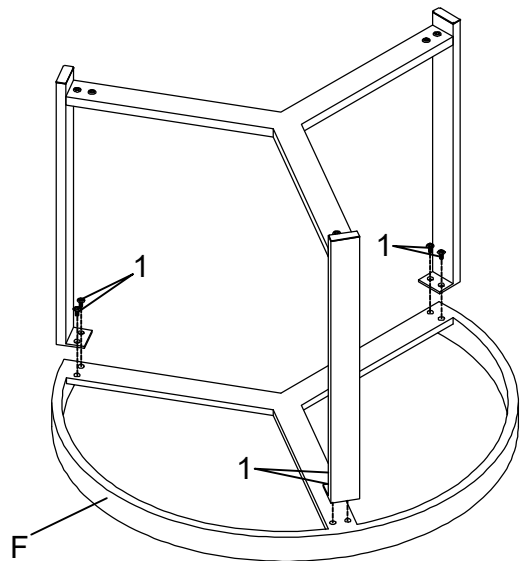


OPTION2

## STEP 6

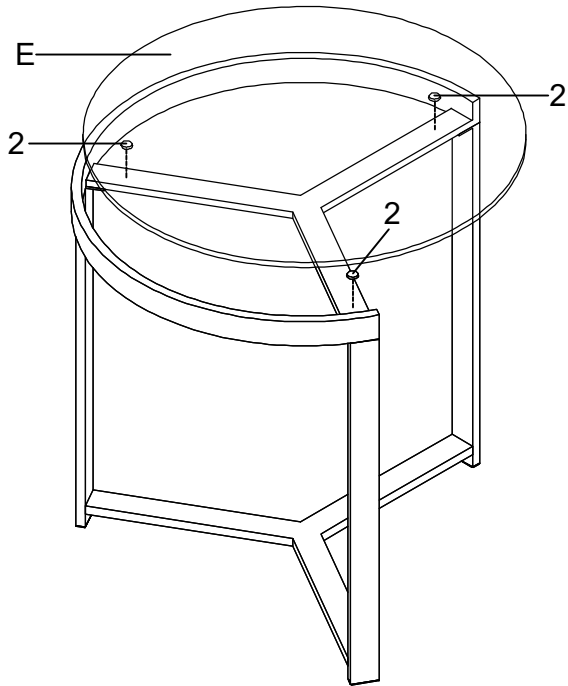


OPTION1

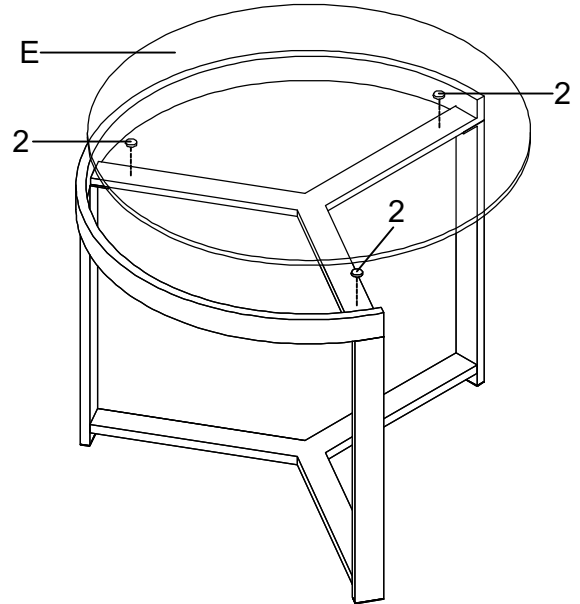


OPTION2

ITEM:930251  
ASSEMBLY INSTRUCTIONS  
STEP 7

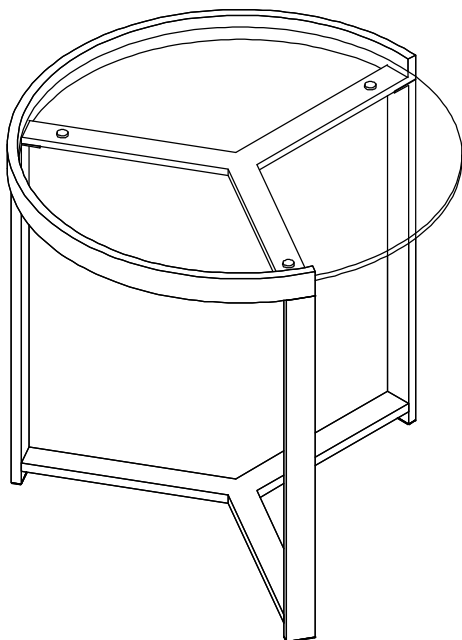


OPTION1

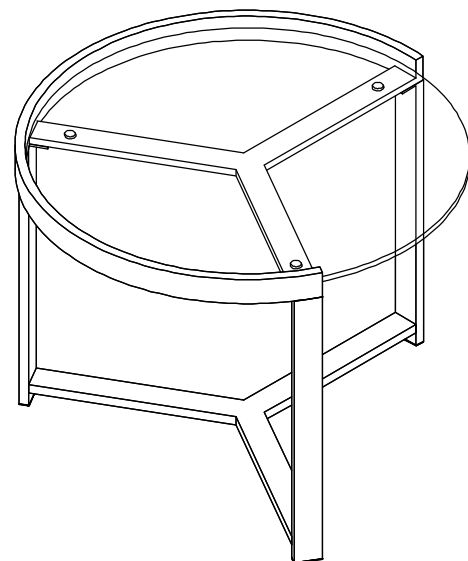


OPTION2

STEP 8  
COMPLETE



OPTION1



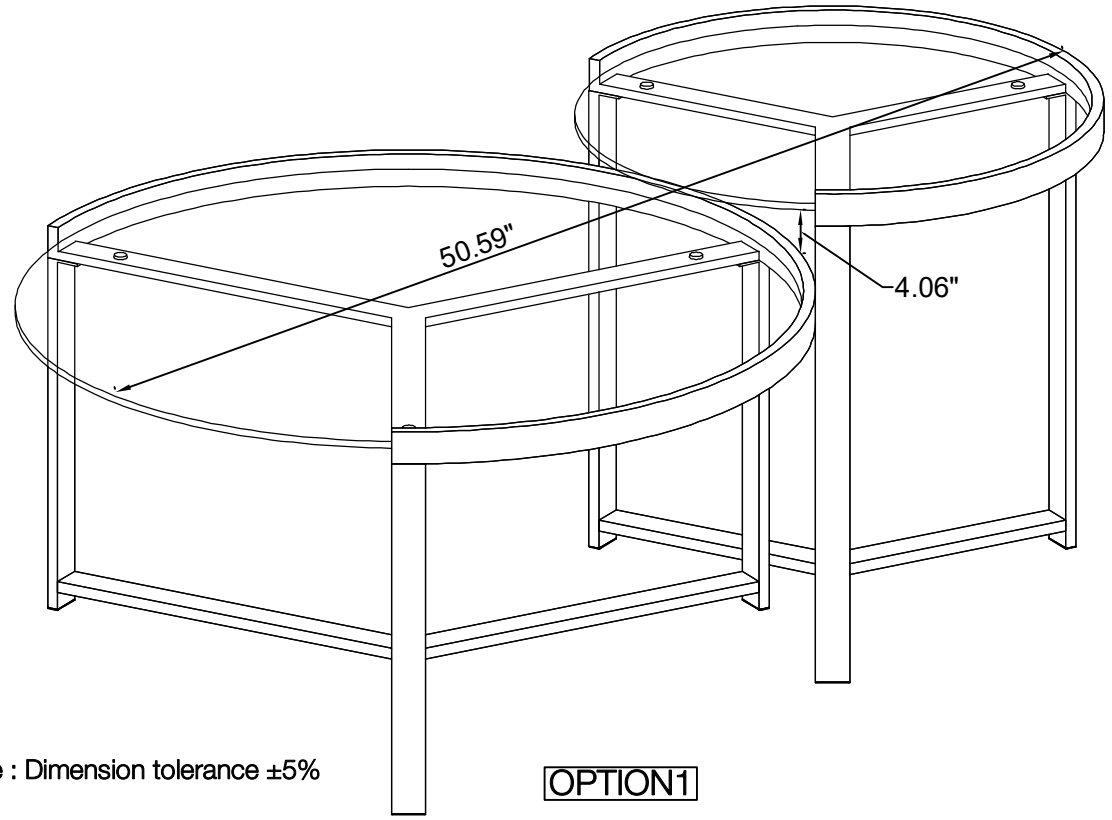
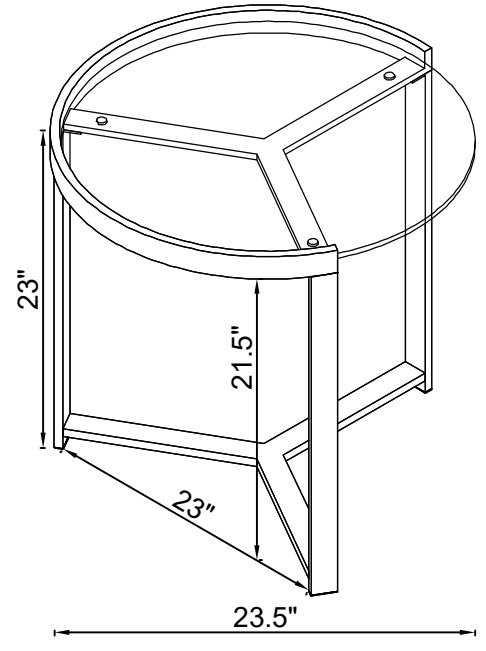
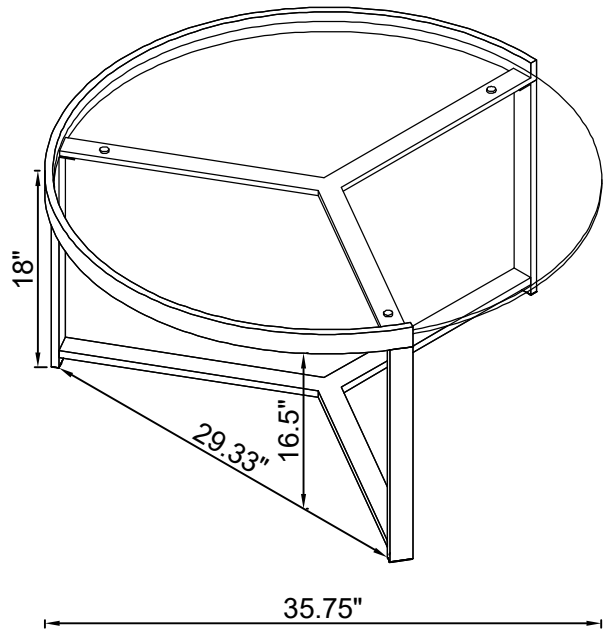
OPTION2

# ITEM:930251 ASSEMBLY INSTRUCTIONS



Product Size : 908 DIA X 457 H (MM)  
Product Size : 35 3/4" DIA X 18"

Product Size : 597 DIA X 584 H (MM)  
Product Size : 23 1/2" DIA X 23"



Note : Dimension tolerance ±5%

OPTION1

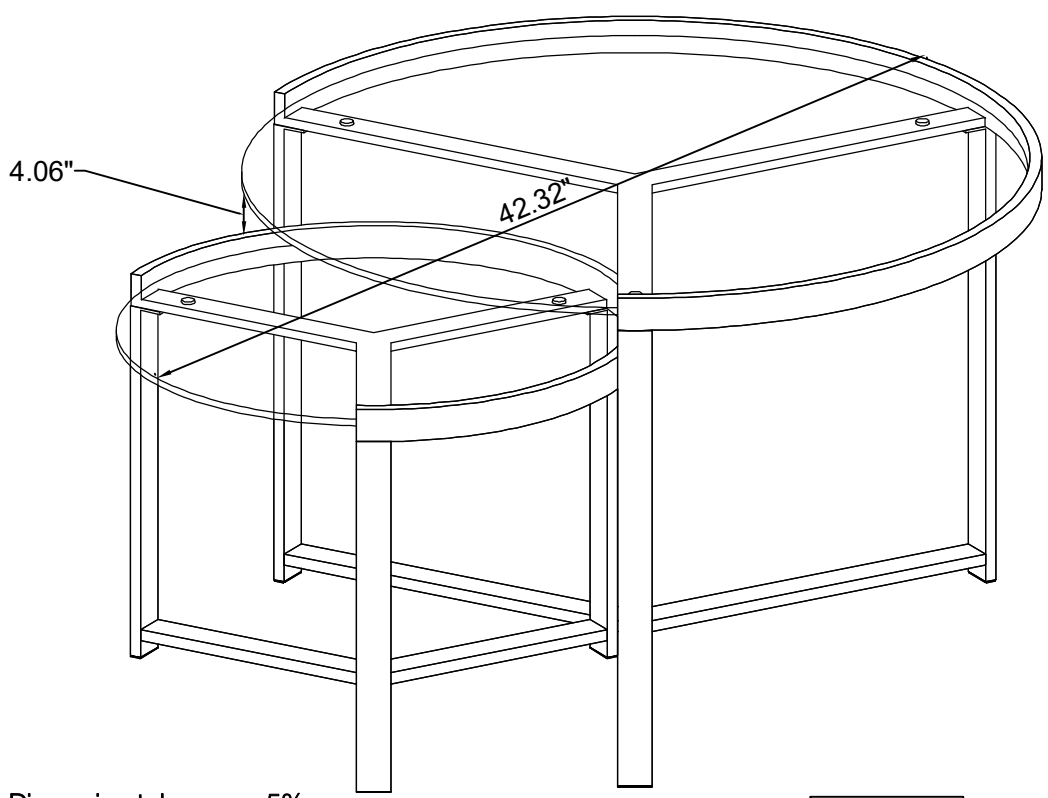
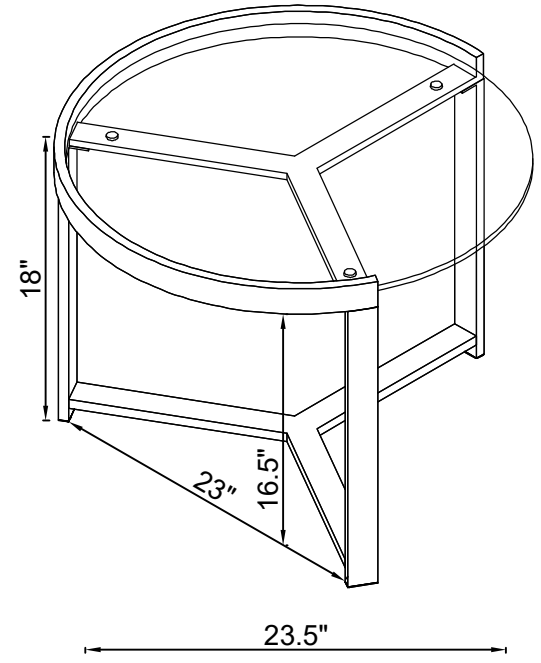
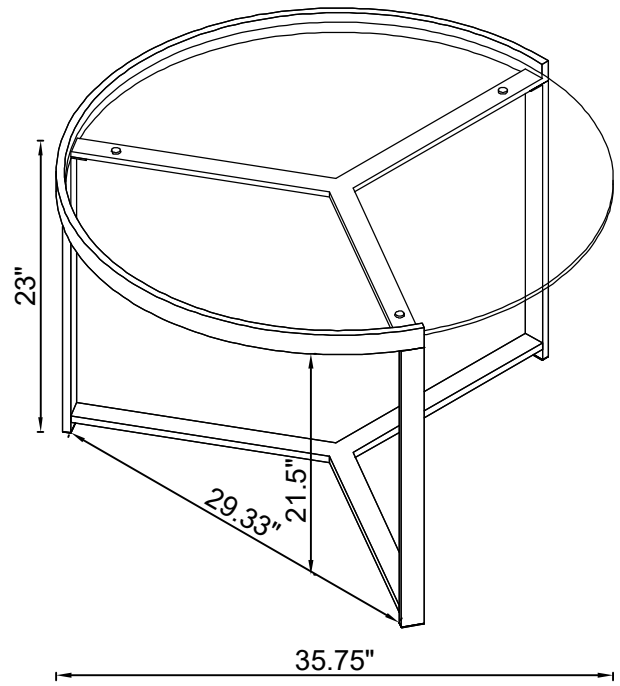


# ITEM:930251 ASSEMBLY INSTRUCTIONS



Product Size : 908 DIA X 584 H (MM)  
Product Size : 35 3/4" DIA X 23"

Product Size : 597 DIA X 457 H (MM)  
Product Size : 23 1/2" DIA X 18"



Note : Dimension tolerance ±5%

**OPTION2**