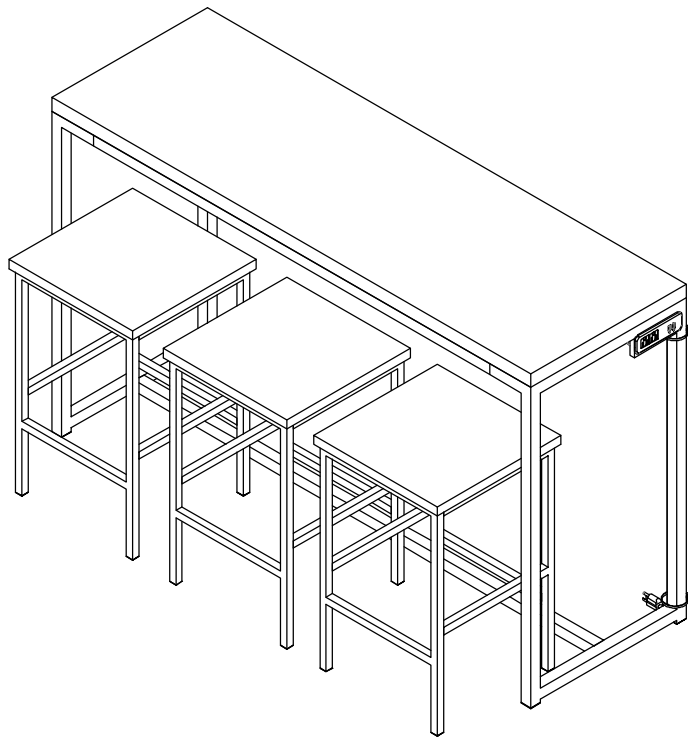


*ASSEMBLY INSTRUCTIONS*  
*COASTER FINE FURNITURE*



*Fine Furniture for every stage of life*

**182255**  
**4PC SET**

ITEM:182255



# ASSEMBLY INSTRUCTIONS

## ASSEMBLY TIPS:

1. Remove hardware from box and sort by size.
2. Please check to see that all hardware and parts are present prior to start of assembly.
3. Please follow attached instructions in the same sequence as numbered to assure fast & easy assembly.



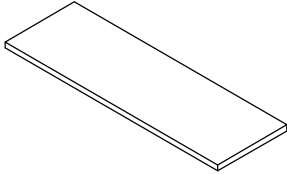
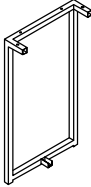
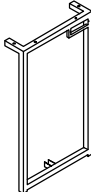
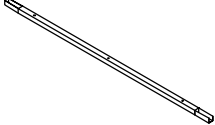
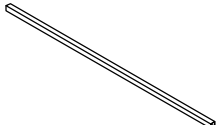
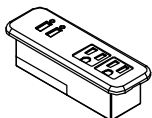
### WARNING!

1. Don't attempt to repair or modify parts that are broken or defective. Please contact the store immediately.
2. This product is for home use only and not intended for commercial establishments.



ASSEMBLY TIME 80 MINUTES

## PARTS IDENTIFICATION

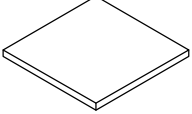
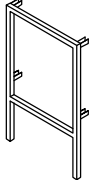
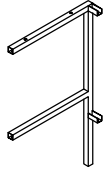
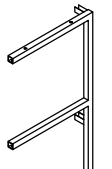
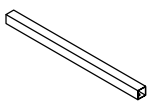
A	BAR TABLE TOP PANEL		1PC
B	BAR TABLE LEFT FRAME		1PC
C	BAR TABLE RIGHT FRAME		1PC
D	BAR TABLE TOP CROSSBAR		2PCS
E	BAR TABLE BOTTOM CROSSBAR		1PC
F	POWER OUTLET		1PC

ITEM:182255

# ASSEMBLY INSTRUCTIONS

## PARTS IDENTIFICATION



G	CHAIR TOP PANEL		1PC
H	CHAIR FRONT FRAME		1PC
I	CHAIR LEFT FRAME		1PC
J	CHAIR RIGHT FRAME		1PC
K	CHAIR CROSSBAR		2PCS











NOTE: QUANTITIES SHOWN ARE FOR ONE TABLE AND ONE STOOL

ITEM:182255

# ASSEMBLY INSTRUCTIONS

## HARDWARE IDENTIFICATION



1	SHORT BOLT (1/4" x 12mm SR)		28PCS
2	MEDIUM BOLT (1/4" x 32mm SR)		4PCS
3	LONG BOLT (1/4" x 45mm SR)		8PCS
4	SCREW (4.0 x 45mm)		6PCS
5	POWER BOLT (3/16" x 12mm)		2PCS
6	SMALL CAP (20 x 20mm)		4PCS
7	LARGE CAP (30 x 30mm)		4PCS
8	WASHER ( $\phi$ 16mm)		6PCS
9	RESTRAINT STRAP		2PCS
10	ALLEN WRENCH (4mm)		1PC

NOTE: QUANTITIES SHOWN ARE FOR ONE TABLE AND ONE STOOL

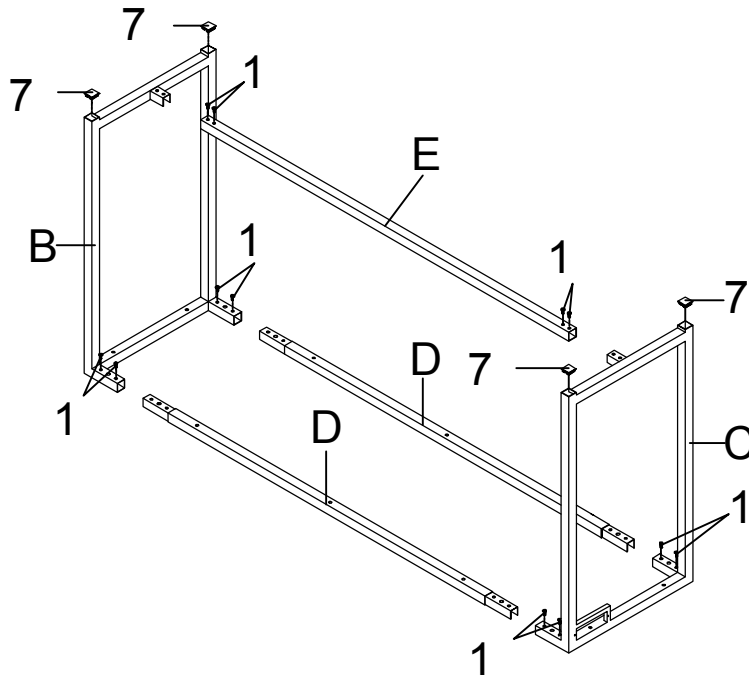
ITEM: 182255



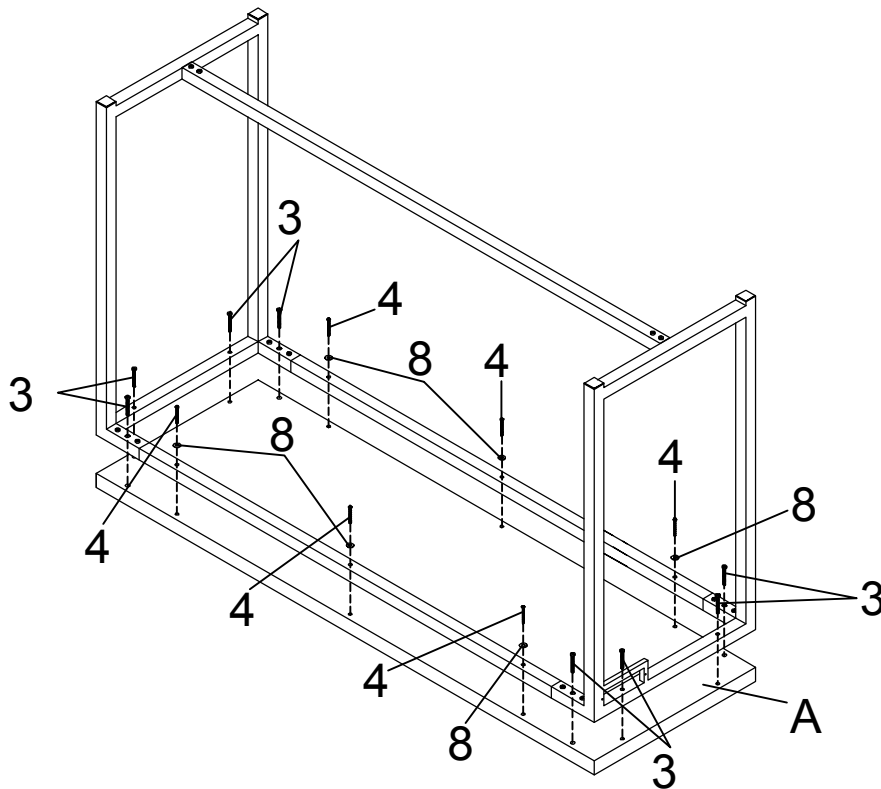
# ASSEMBLY INSTRUCTIONS

## STEP 1

Do not tighten until each step is completed or instructed.



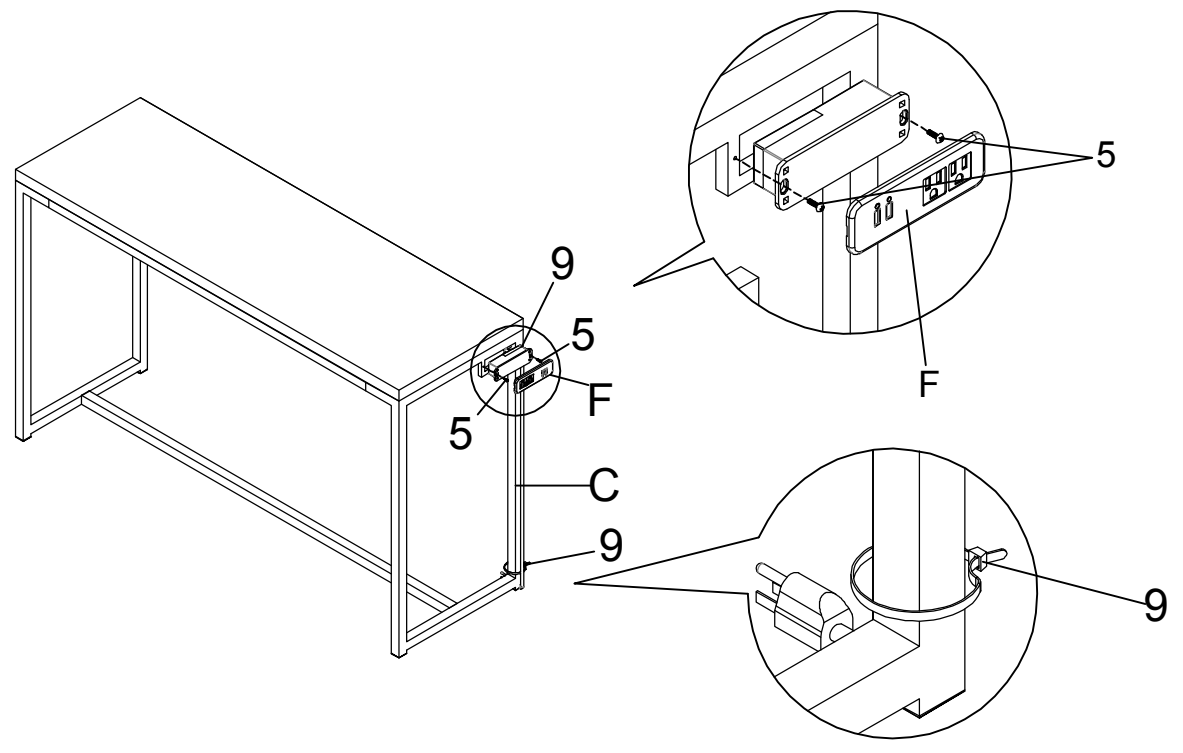
## STEP 2



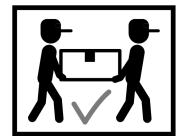
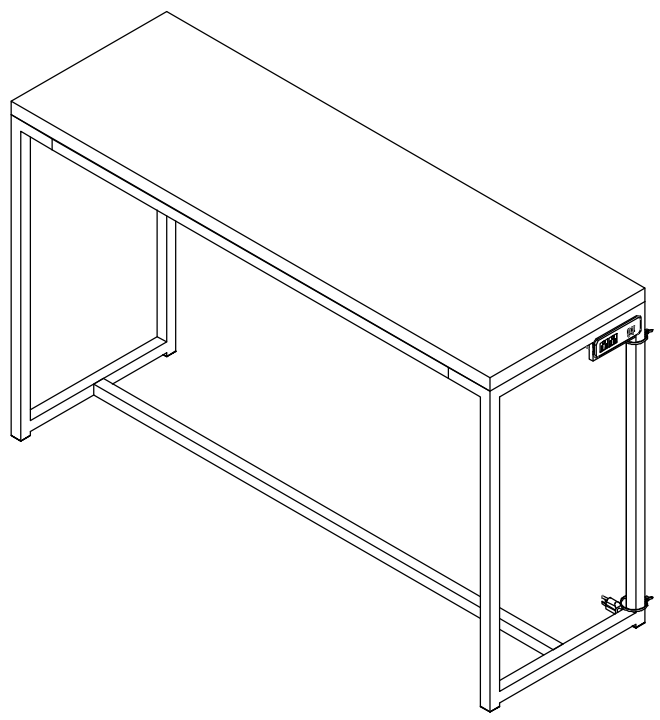
ITEM: 182255  
ASSEMBLY INSTRUCTIONS



STEP 3



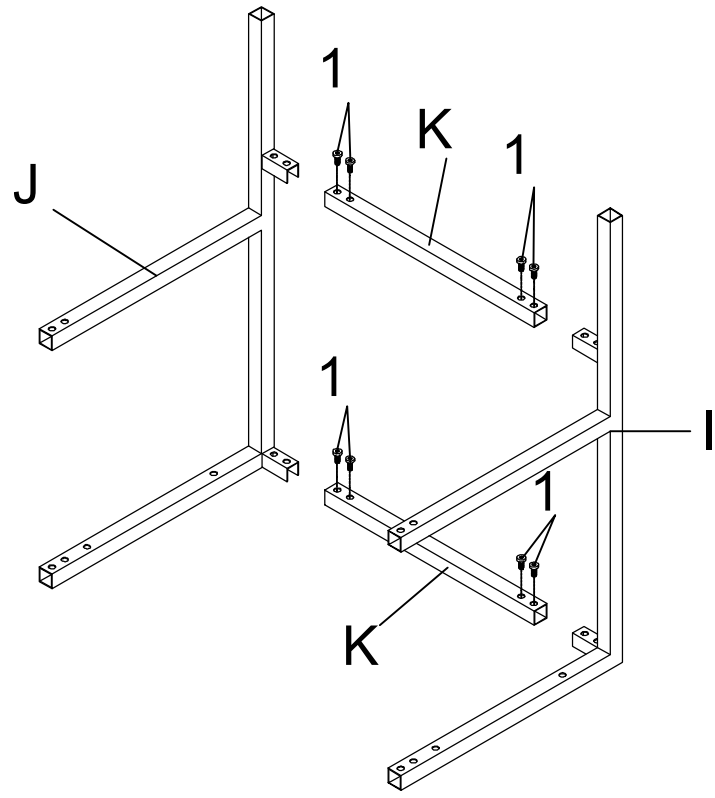
STEP 4  
COMPLETE



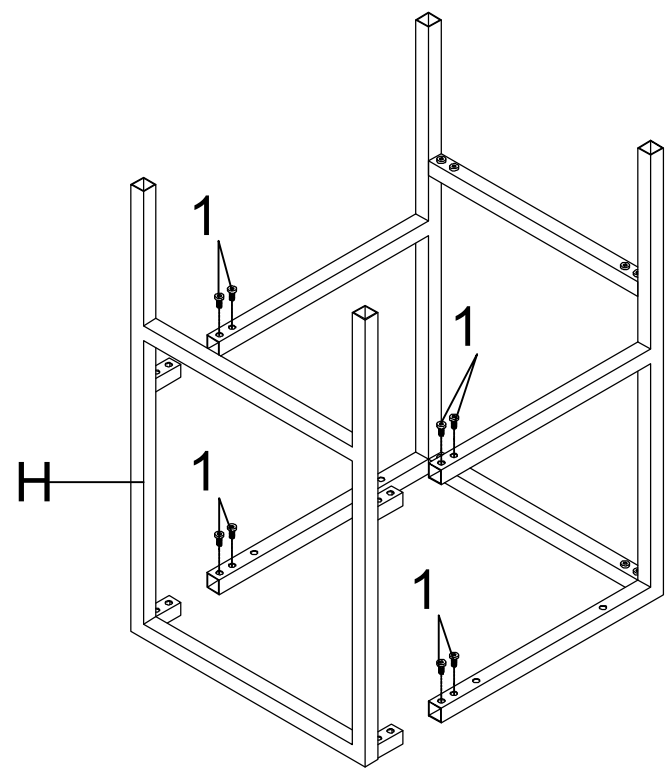
ITEM: 182255  
ASSEMBLY INSTRUCTIONS



STEP 5



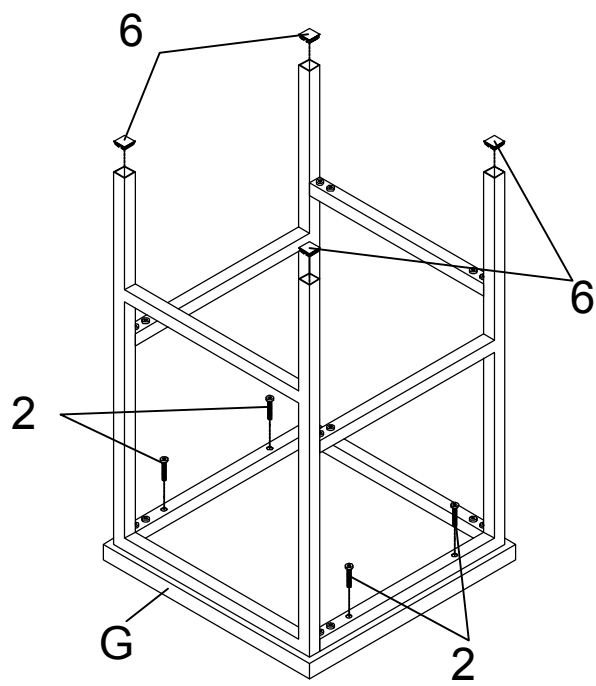
STEP 6



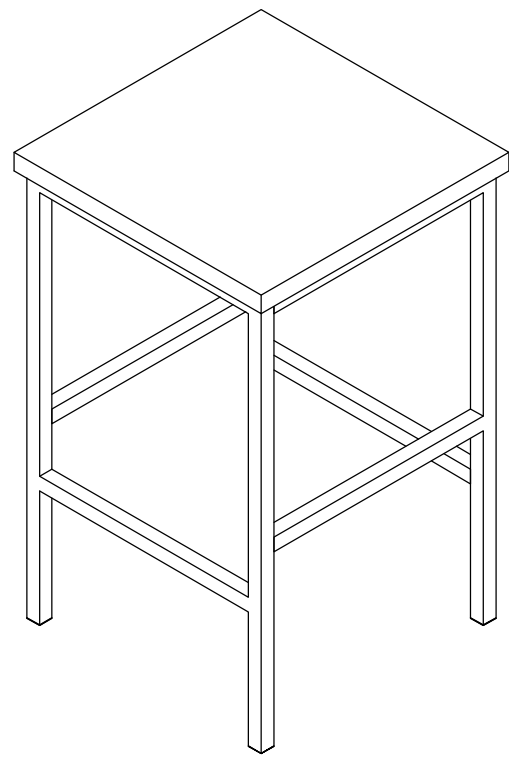
ITEM: 182255  
ASSEMBLY INSTRUCTIONS



STEP 7



STEP 8  
COMPLETE



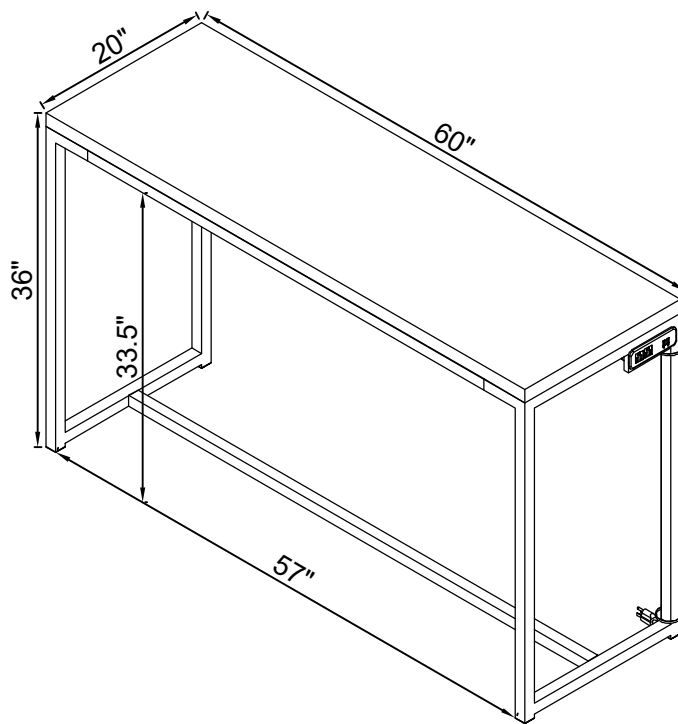


# ITEM:182255 ASSEMBLY INSTRUCTIONS



**Product Size : 1524 X 508 X 914 H (MM)**

**Product Size : 60" X 20" X 36"**

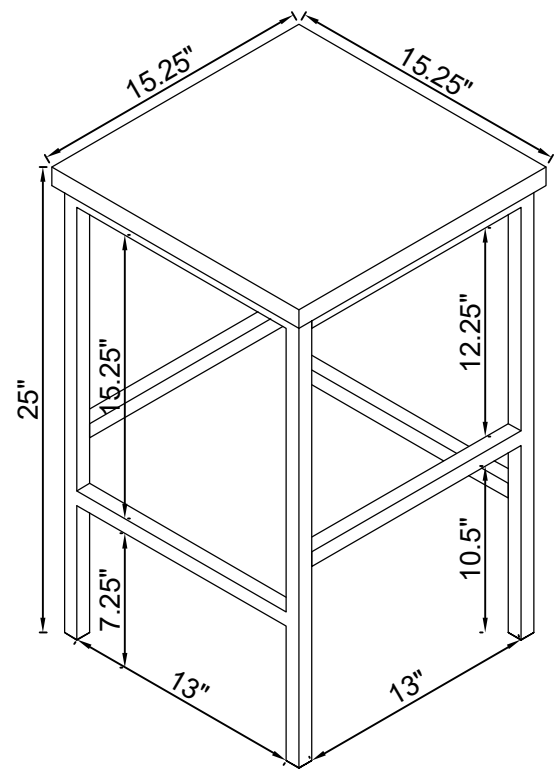


Note : Dimension tolerance  $\pm 5\%$

# ITEM:182255 ASSEMBLY INSTRUCTIONS



<b>Product Size : 387 X 387 X 635 H (MM)</b>
<b>Product Size : 15 1/4" X 15 1/4" X 25"</b>



Note : Dimension tolerance ±5%