



ASSEMBLY INSTRUCTIONS
COASTER FINE FURNITURE



Fine Furniture for every stage of life

501840

REVERSIBLE SECTIONAL W/ STORAGE OTTOMAN

ITEM : 501840
ASSEMBLY INSTRUCTIONS



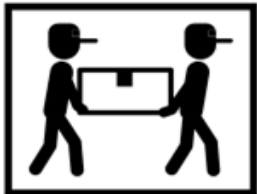
ASSEMBLY TIPS:

- 1.Remove hardware from box and sort by size.
- 2.Please check to see that all hardware and parts are present prior to start of assembly.
- 3.Please follow attached instruction in the same sequence as numbered to assure fast & easy assembly.



WARNING!

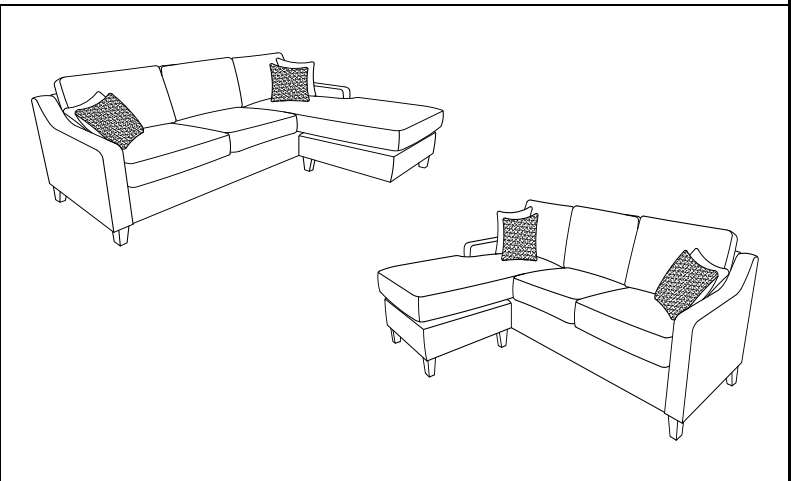
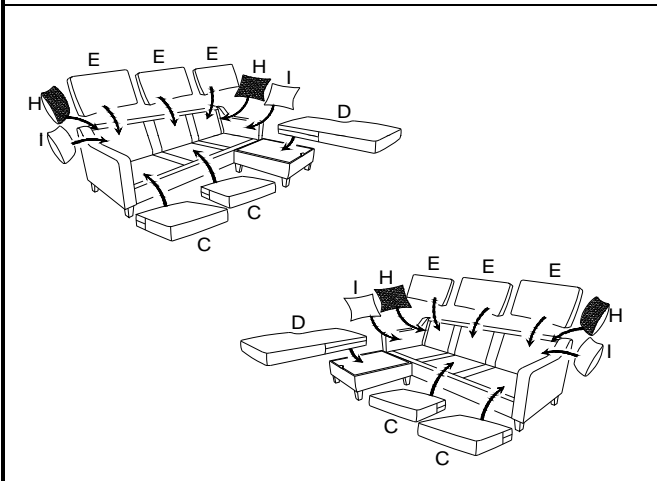
- 1.Don't attempt to repair or modify parts that are broken or defective. Please contact the store immediately.
- 2.This product is for home use only and not intended for commercial establishment.
























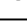

ASSEMBLY TIME

10 MINUTES

PARTS IDENTIFICATION



- A BACK FRAME  1PC
- B SEAT FRAME  1PC
- C SMALL SEAT CUSHION  2PCS
- D LARGE SEAT CUSHION  1PC
- E BACK CUSHION  3PCS
- F LEFT ARM FRAME  1PC
- G RIGHT ARM FRAME  1PC
- H PATTERNED PILLOW  2PCS
- I PLAIN PILLOW  2PCS
- J LEG  8PCS
- K OTTOMAN  1PC
- L MILIEU CROIX MEMBRE  1PC
- M MIDDLE LEG  1PC

Z	HARDWARE PACKAGE		
NO	DESCRIPTION	FIGURE	QTY
1	LONG BOLT 5/16" * 3 "		8PCS
2	MEDIUM BOLT 5/16" * 2-1/2 "		8PCS
3	FLAT WASHER 5/16" * 19mm		9 PCS+1PC SPARE
4	LOCK WASHER 5/16" * 13mm		9 PCS+1PC SPARE
5	ALLEN KEY M5		1PC
6	PLASTIC CAPS Ø19.5*21.5mm		8PCS
7	SHORT BOLT 5/16" * 1-3/8 "		1PC
8	WOOD SCREW M4*60mm		2PCS
9	FLAT WASHER M4* 12mm		2PCS
10	PLASTIC GASKET 5/16" * 49mm		1PC

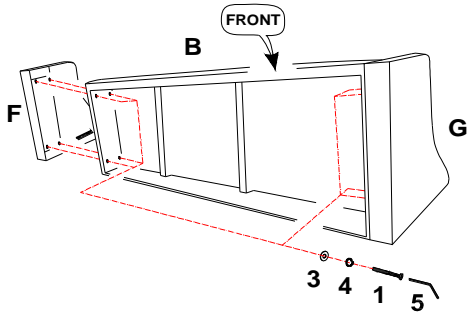
ITEM : 501840

ASSEMBLY INSTRUCTIONS

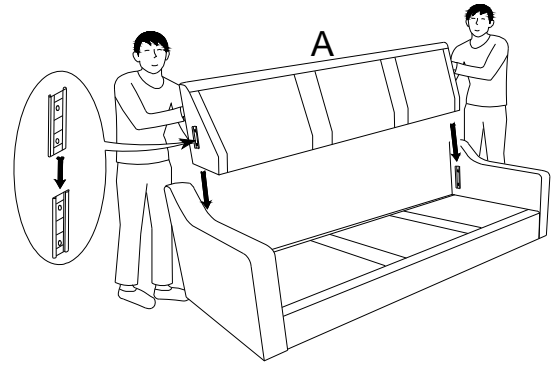


STEP 1

1		X 8	3		X 8
4		X 8	5		X 1

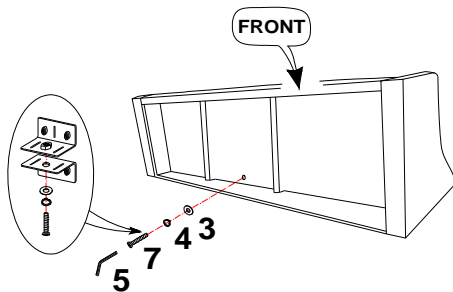


STEP 2

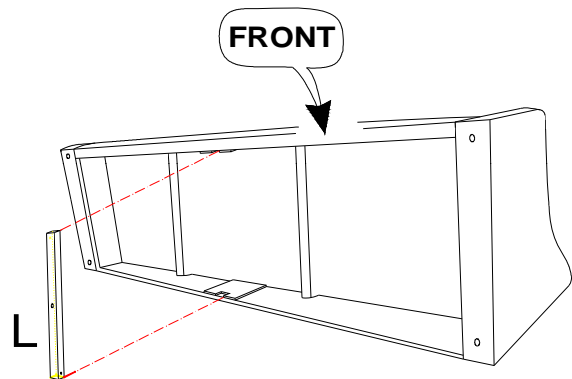


STEP 3

7		X 1	3		X 1
4		X 1	5		X 1

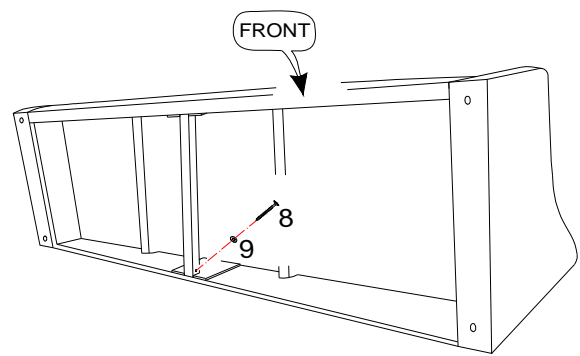
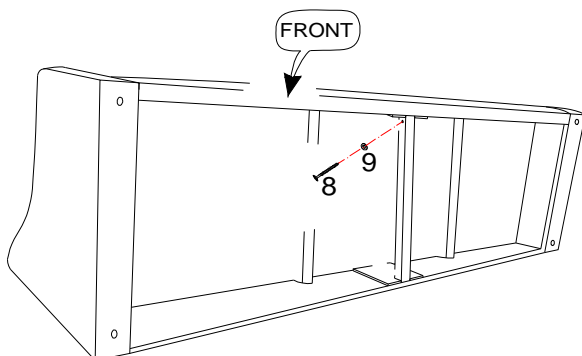


STEP 4

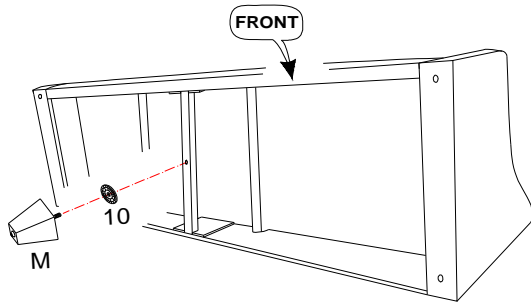
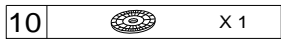


STEP 5

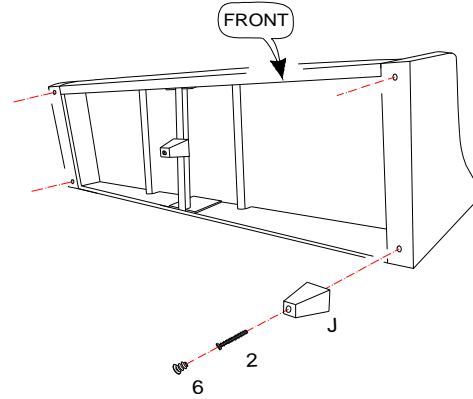
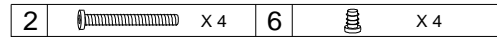
8		X 2	9		X 2
---	--	-----	---	--	-----



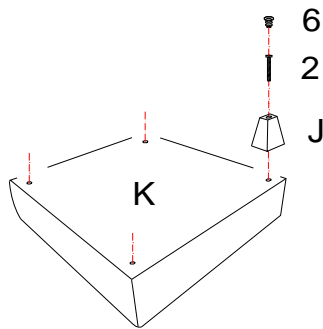
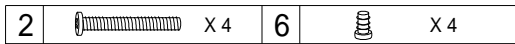
STEP 6



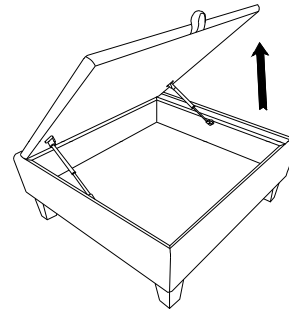
STEP 7



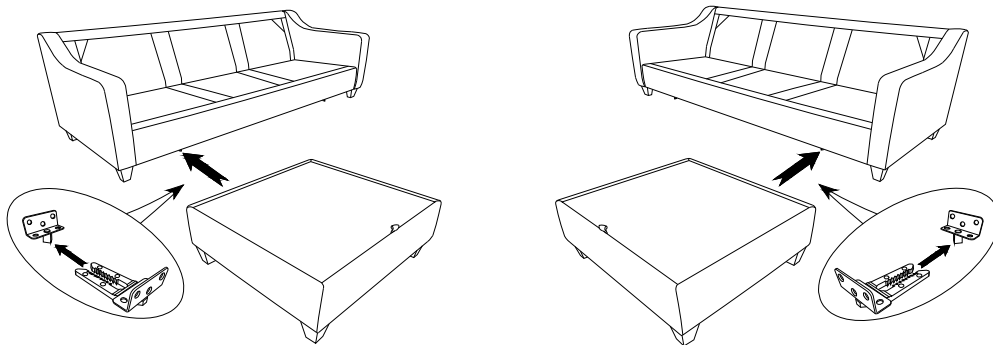
STEP 8



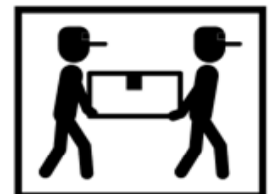
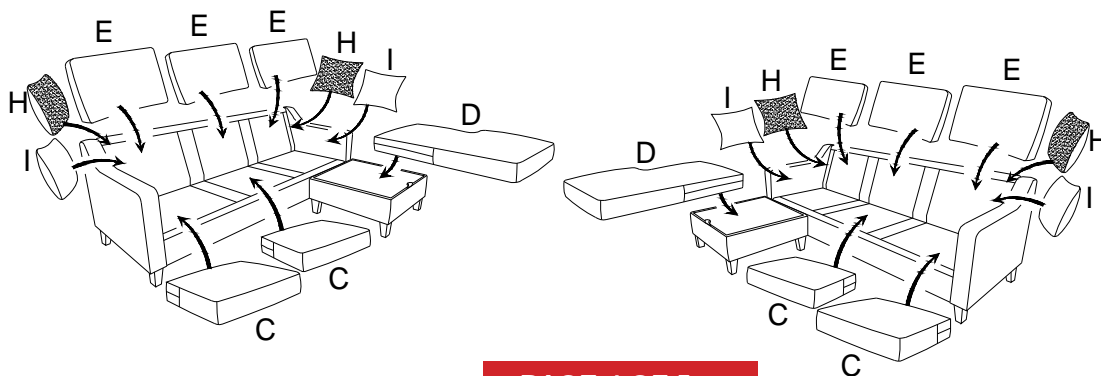
STEP 9



STEP 10



STEP 11



501840



Note: Dimension tolerance $\pm 5\%$

