

ASSEMBLY INSTRUCTIONS
COASTER FINE FURNITURE



Fine Furniture for every stage of life

702587
END TABLE

REVISION 0 : 11/10/2017
REVISION 1 : 11/07/2022

ITEM: 702587



ASSEMBLY INSTRUCTIONS

ASSEMBLY TIPS:

1. Remove hardware from box and sort by size.
2. Please check to see that all hardware and parts are present prior to start of assembly.
3. Please follow attached instructions in the same sequence as numbered to assure fast & easy assembly.



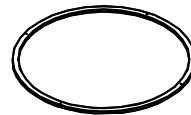
WARNING!

1. Don't attempt to repair or modify parts that are broken or defective. Please contact the store immediately.
2. This product is for home use only and not intended for commercial establishments.

ASSEMBLY TIME 35 MINUTES

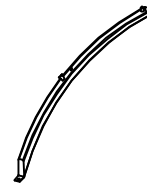
PARTS IDENTIFICATION

A TOP FRAME



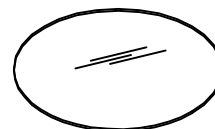
1PC

B LEG



4PCS

C TOP GLASS



1PC

HARDWARE IDENTIFICATION

1 ALLEN WRENCH
(4mm)



1PC

2 ALLEN BOLT
(1/4" x 2")



4PCS

3 SMALL ALLEN BOLT
(1/4" x 1/2")



4PCS

4 FLOOR LEVELER
(1/4" x 5/8")



4PCS

5 SUCTION CUP
(8mm)



4PCS

6 CAP
(20 x 40 mm)

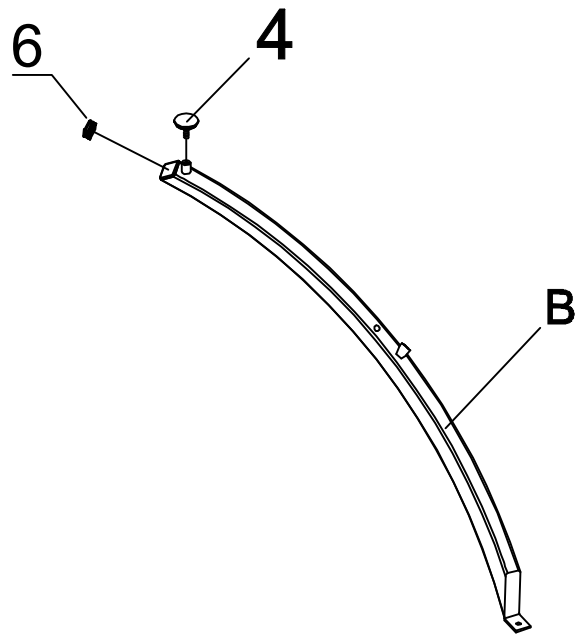


4PCS

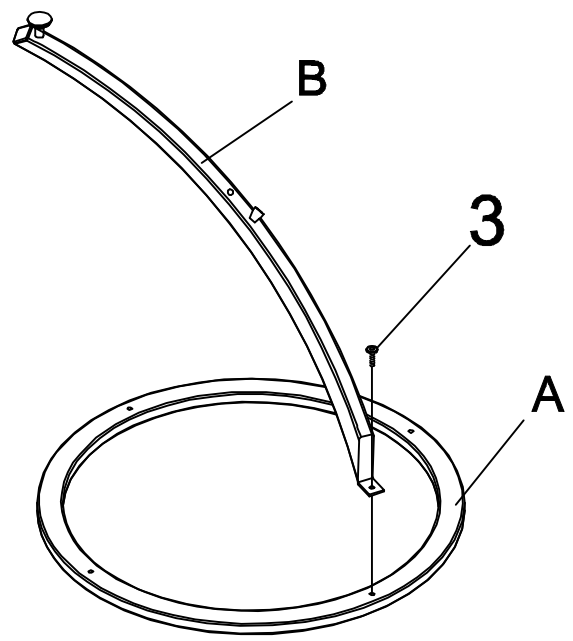
ITEM: 702587
ASSEMBLY INSTRUCTIONS



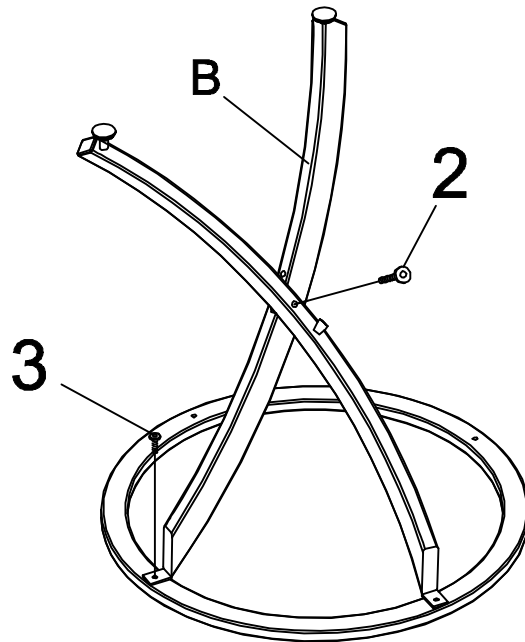
STEP 1 Do not tighten until each step is completed or instructed.



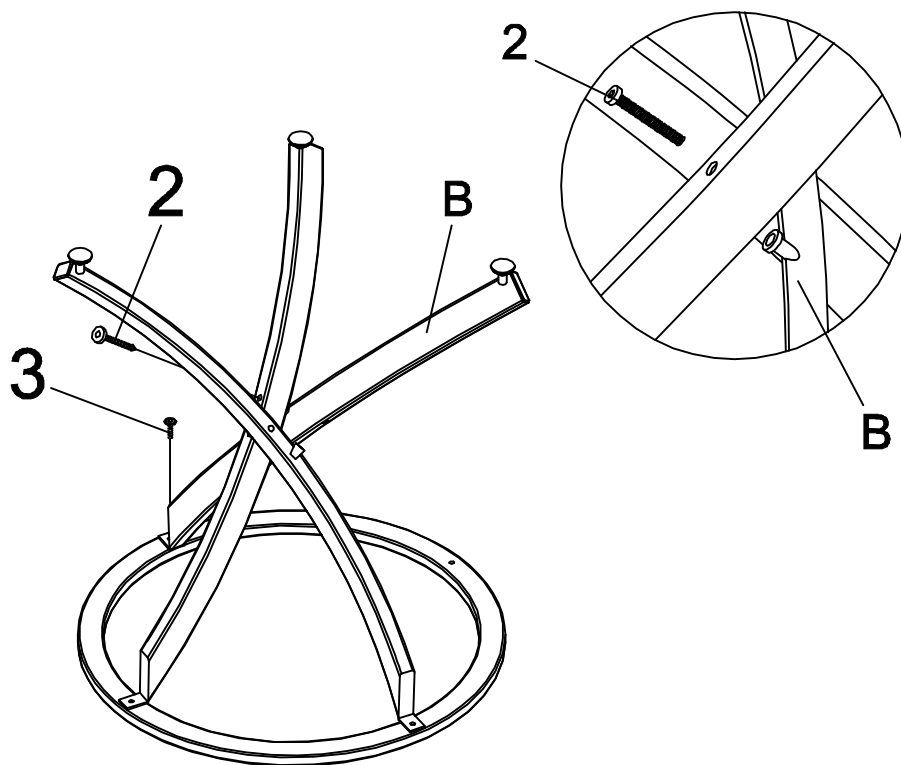
STEP 2



ITEM: 702587
ASSEMBLY INSTRUCTIONS
STEP 3



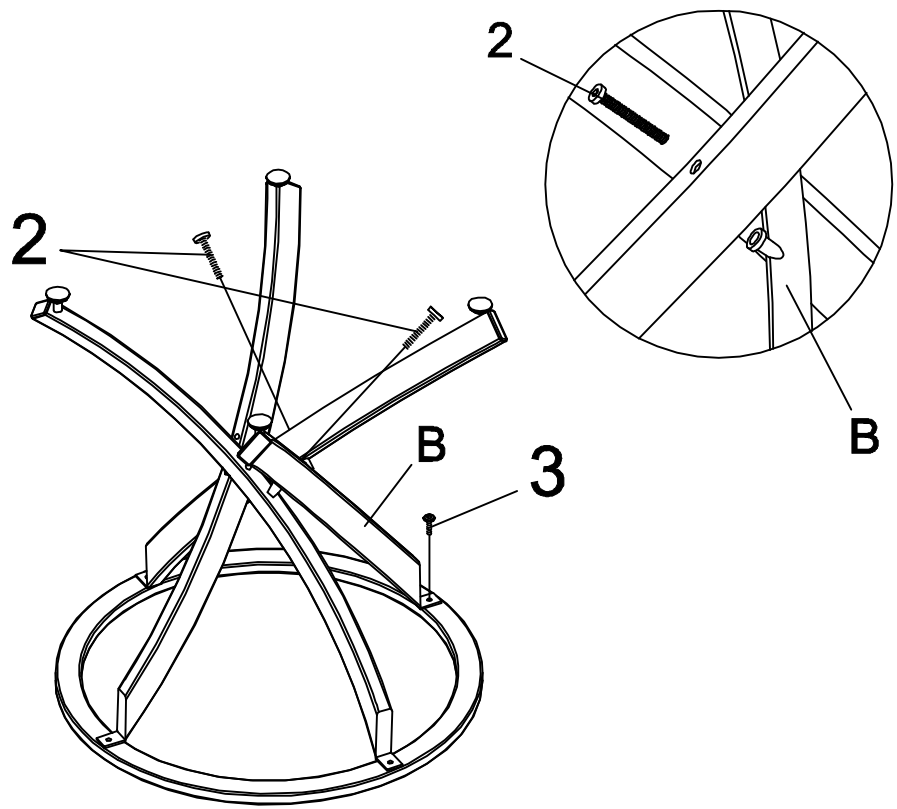
STEP 4



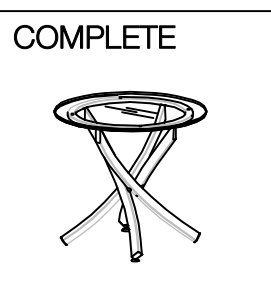
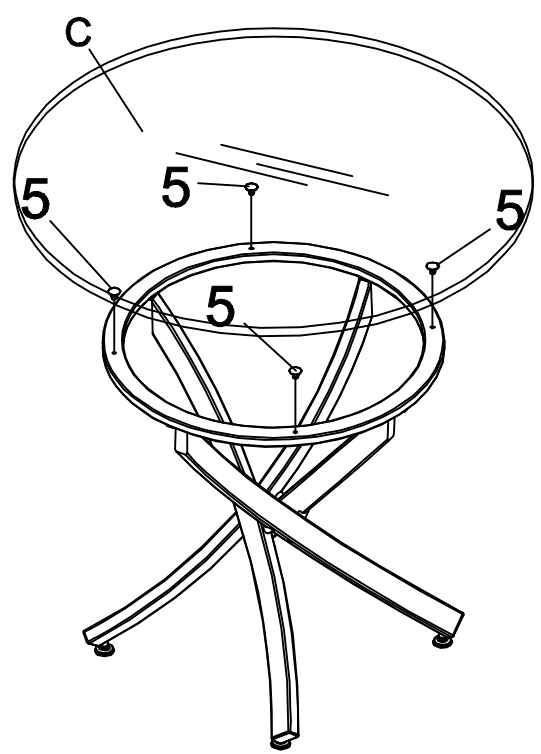
ITEM: 702587
ASSEMBLY INSTRUCTIONS



STEP 5



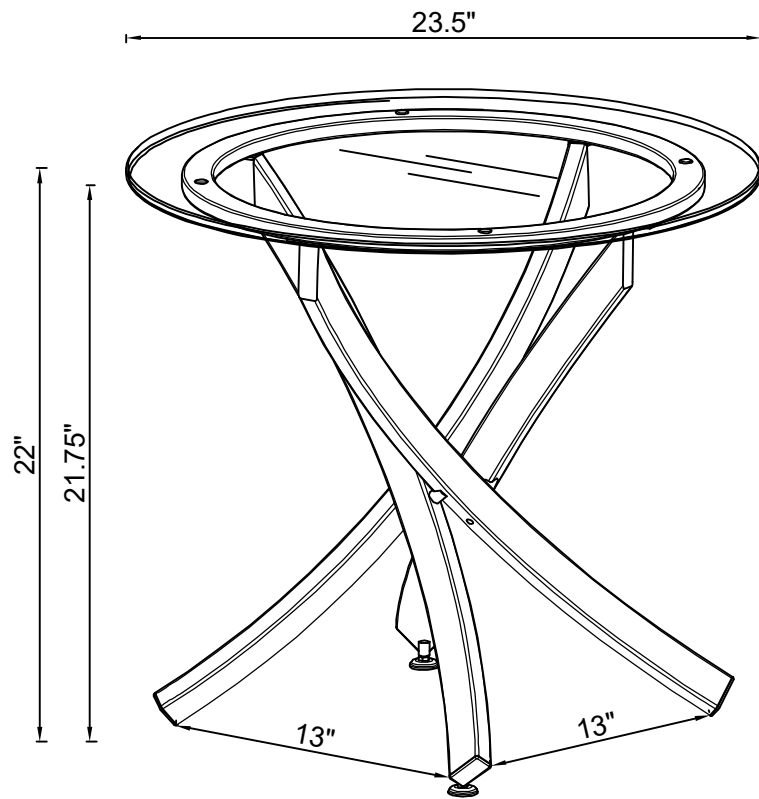
STEP 6



ITEM: 702587 ASSEMBLY INSTRUCTIONS



Product Size : 600 X 600 X 558 H (MM)
Product Size : 23 ½" X 23 ½" X 22"



Note : Dimension tolerance $\pm 5\%$