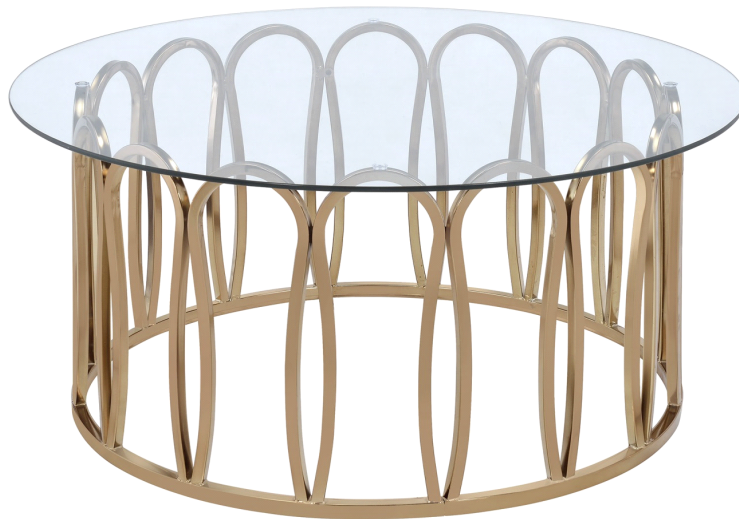


*ASSEMBLY INSTRUCTIONS*  
*COASTER FINE FURNITURE*



*Fine Furniture for every stage of life*

**708058**  
**COFFEE TABLE**

REVISION 0 : 09/12/2017  
REVISION 1 : 05/17/2019  
REVISION 2 : 11/11/2022

ITEM: 708058



# ASSEMBLY INSTRUCTIONS

## ASSEMBLY TIPS:

1. Remove hardware from box and sort by size.
2. Please check to see that all hardware and parts are present prior to start of assembly.
3. Please follow attached instructions in the same sequence as numbered to assure fast & easy assembly.



## WARNING!

1. Don't attempt to repair or modify parts that are broken or defective. Please contact the store immediately.
2. This product is for home use only and not intended for commercial establishments.



ASSEMBLY TIME 30 MINUTES

## PARTS IDENTIFICATION

### B2 : TOP

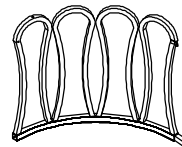
A TOP GLASS



1PC

### B1 : BASE

B SIDE FRAME



4PCS

## HARDWARE IDENTIFICATION

HARDWARE PACK IS LOCATED IN 460183 (B1)

1 SCREW  
(3/16" x 12mm GD)



4PCS

4 LEVELER  
(1/4" x 12mm BLK)



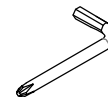
4PCS

2 BOLT  
(1/4" x 12mm GD)



4PCS

5 ALLEN WRENCH  
(4mm)



1PC

3 SUCTION CUP  
( $\phi$  8mm)

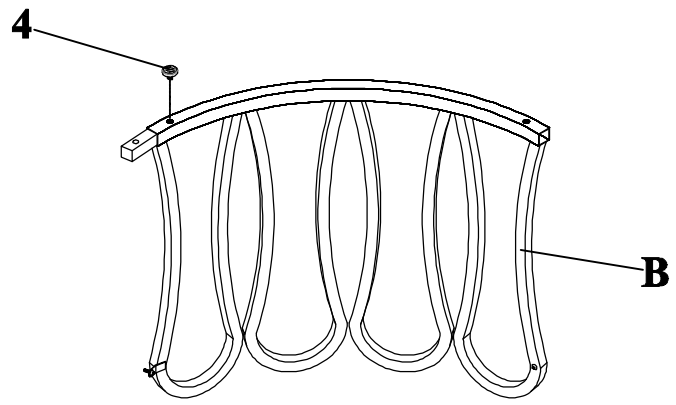


4PCS

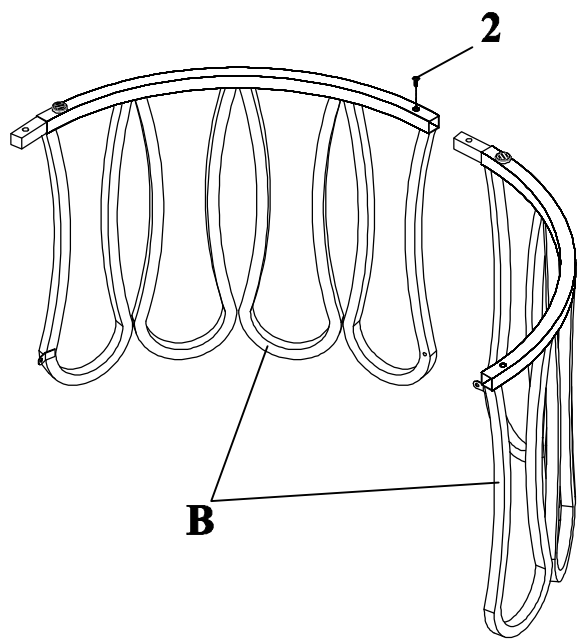
ITEM: 708058  
**ASSEMBLY INSTRUCTIONS**



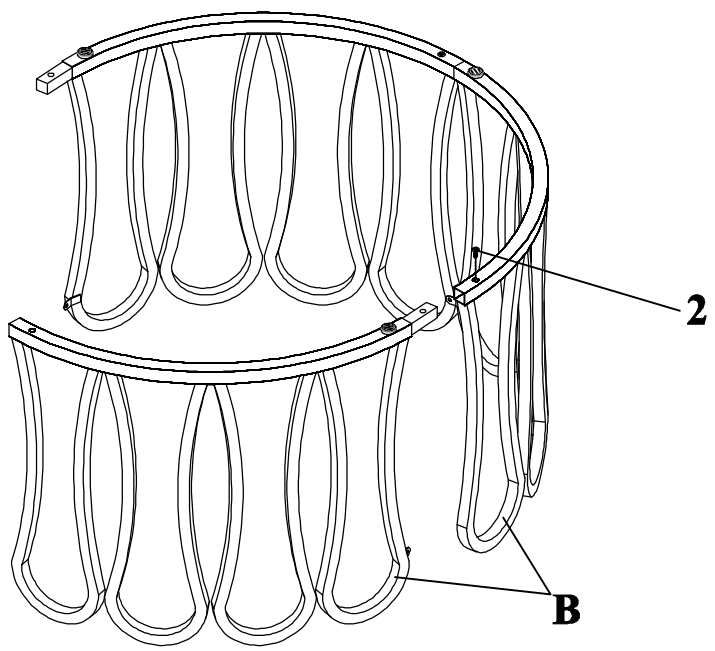
**STEP 1** Do not tighten until each step is completed or instructed.



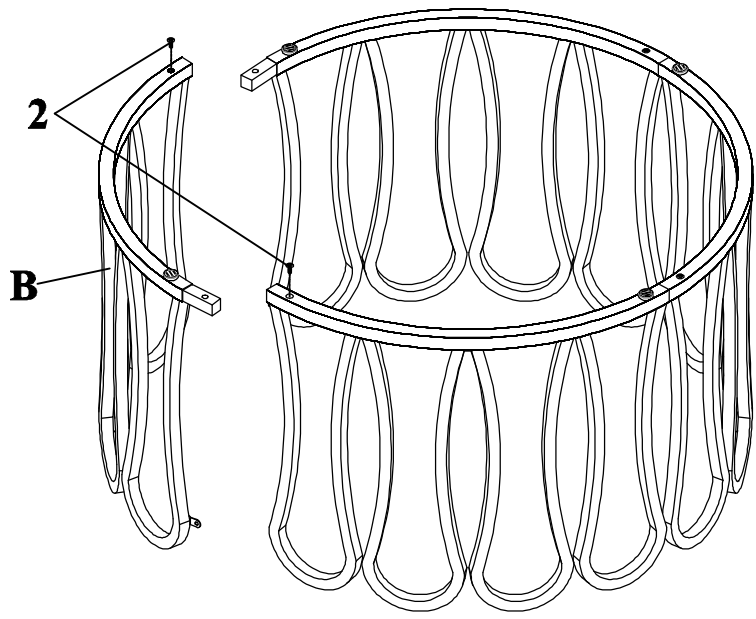
**STEP 2**



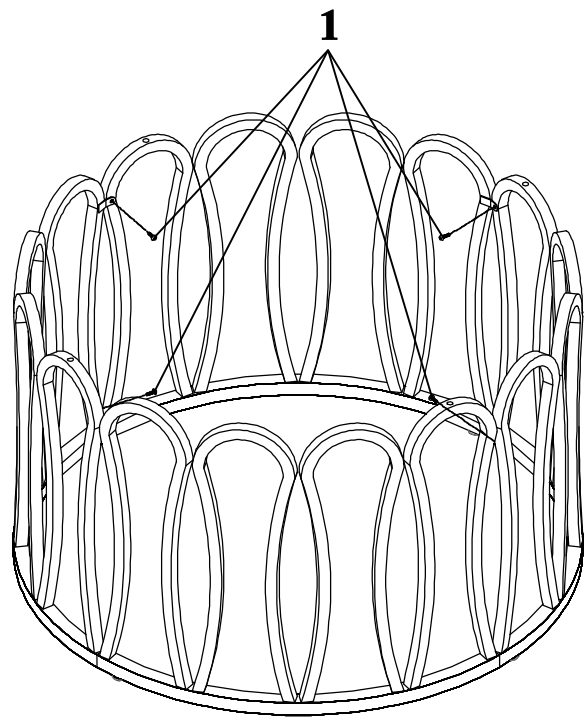
ITEM: 708058  
**ASSEMBLY INSTRUCTIONS**  
STEP 3



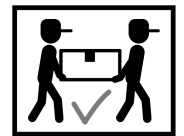
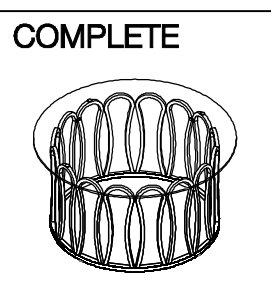
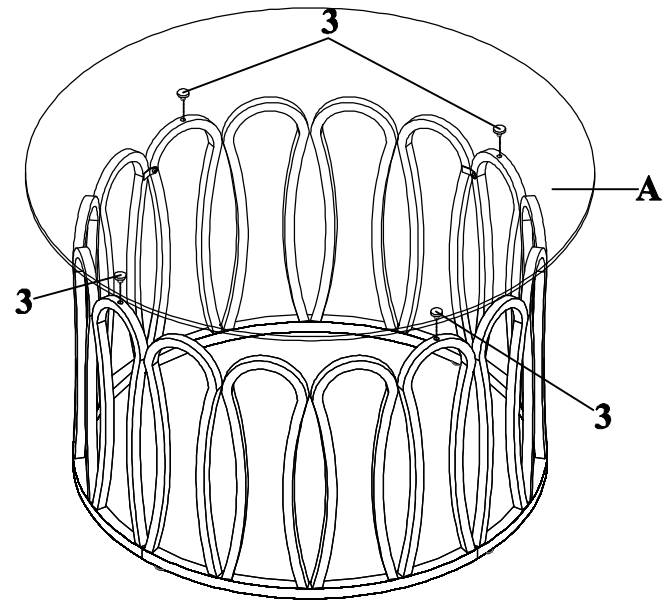
STEP 4



ITEM: 708058  
**ASSEMBLY INSTRUCTIONS**  
STEP 5



STEP 6

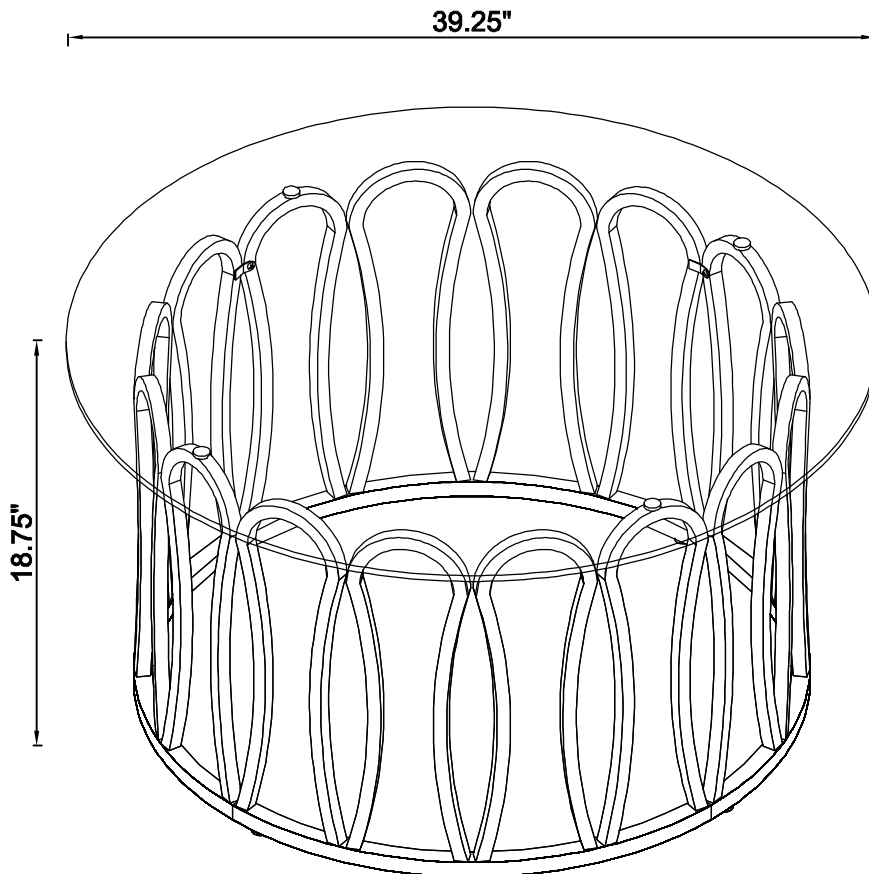


ITEM:708058  
ASSEMBLY INSTRUCTIONS



**Product Size : 997 DIA X 476 H (MM)**

**Product Size : 39 1/4" DIA X 18 3/4"**



Note : Dimension tolerance  $\pm 5\%$