

ASSEMBLY INSTRUCTIONS
COASTER FINE FURNITURE



Fine Furniture for every stage of life

708168
COFFEE TABLE

REVISION 0 : 11/28/2018
REVISION 1 : 11/10/2022

ITEM: 708168



ASSEMBLY INSTRUCTIONS

ASSEMBLY TIPS:

1. Remove hardware from box and sort by size.
2. Please check to see that all hardware and parts are present prior to start of assembly.
3. Please follow attached instructions in the same sequence as numbered to assure fast & easy assembly.

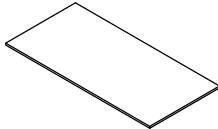
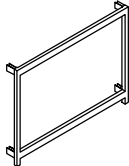
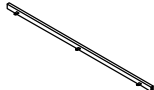



WARNING!





1. Don't attempt to repair or modify parts that are broken or defective. Please contact the store immediately.
2. This product is for home use only and not intended for commercial establishments.

ASSEMBLY TIME 35 MINUTES

PARTS IDENTIFICATION

A	TOP AND BOTTOM PANEL		2PCS
B	SIDE FRAME		2PCS
C	CROSSBAR		4PCS
D	WHEEL		4PCS

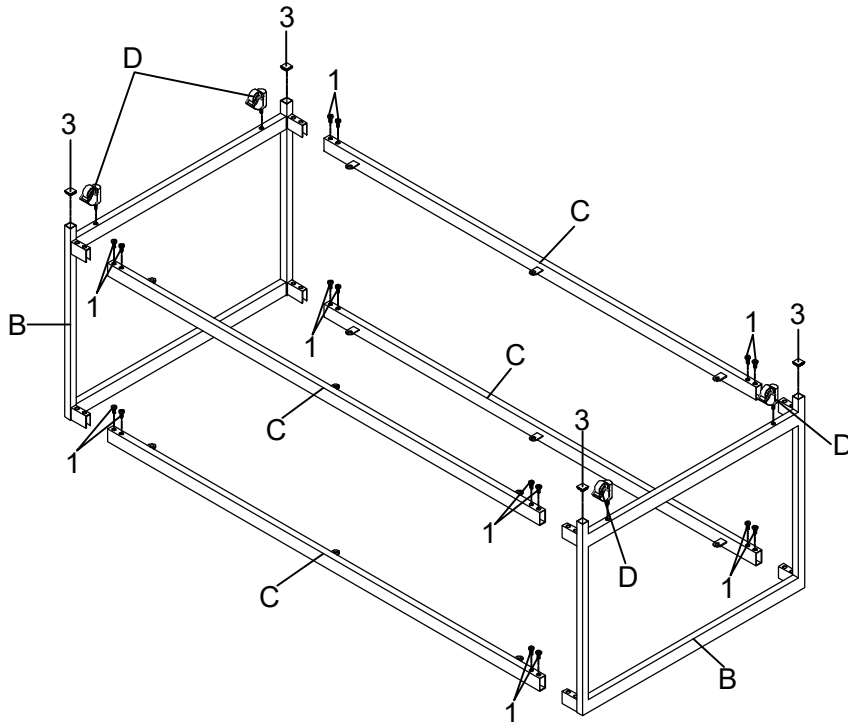
HARDWARE IDENTIFICATION

1	SHORT BOLT (1/4" x 12mm BLK)		16PCS	3	CAP (16 x 16mm BLK)		4PCS
2	LONG BOLT (4 x 12mm BLK)		12PCS	4	ALLEN WRENCH (4mm)		1PC

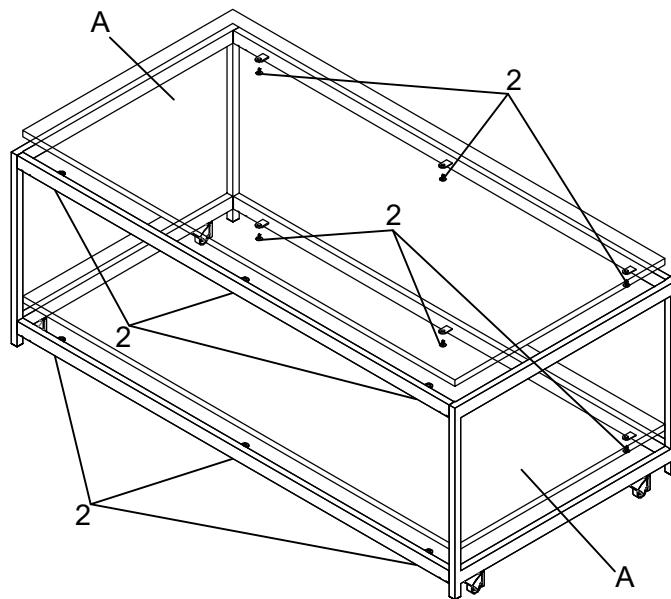
ITEM: 708168 ASSEMBLY INSTRUCTIONS



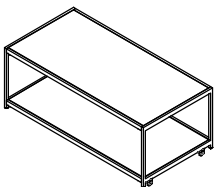
STEP 1 Do not tighten until each step is completed or instructed.



STEP 2



COMPLETE

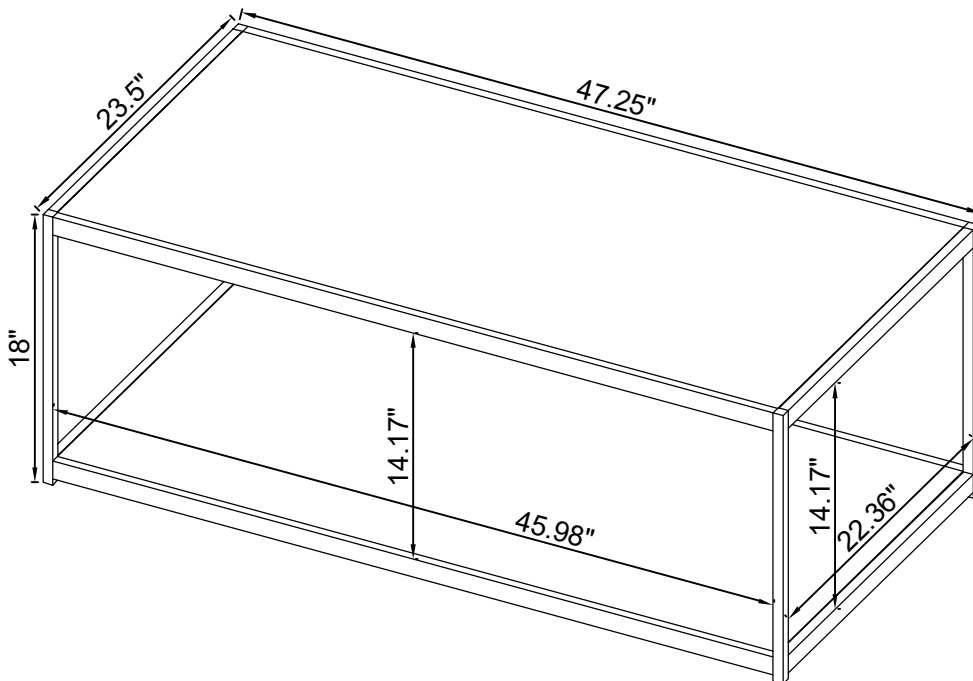


ITEM: 708168 ASSEMBLY INSTRUCTIONS



Product Size : 1200 X 597 X 457 H (MM)

Product Size : 47.25" X 23.5" X 18"



Note : Dimension tolerance $\pm 5\%$