

ASSEMBLY INSTRUCTIONS
COASTER FINE FURNITURE



Fine Furniture for every stage of life

720498
COFFEE TABLE

REVISION 0 : 09/22/2017
REVISION 1 : 11/11/2022

ITEM: 720498



ASSEMBLY INSTRUCTIONS

ASSEMBLY TIPS:

1. Remove hardware from box and sort by size.
2. Please check to see that all hardware and parts are present prior to start of assembly.
3. Please follow attached instructions in the same sequence as numbered to assure fast & easy assembly.



WARNING!

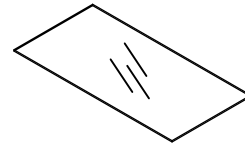
1. Don't attempt to repair or modify parts that are broken or defective. Please contact the store immediately.
2. This product is for home use only and not intended for commercial establishments.



ASSEMBLY TIME 40 MINUTES

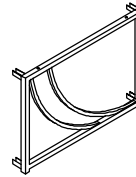
PARTS IDENTIFICATION

A TOP GLASS



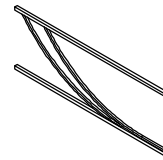
1PC

B SIDE FRAME



2PCS

C FRONT AND BACK FRAME



2PCS

HARDWARE IDENTIFICATION

1 BOLT
(1/4" x 12mm SR)



16PCS

4 SMALL SUCTION CUP
(ϕ 12mm)



2PCS

2 SUCTION CUP
(8mm)



4PCS

5 ALLEN WRENCH
(4mm)



1PC

3 CAP
(20 x 20mm BLK)

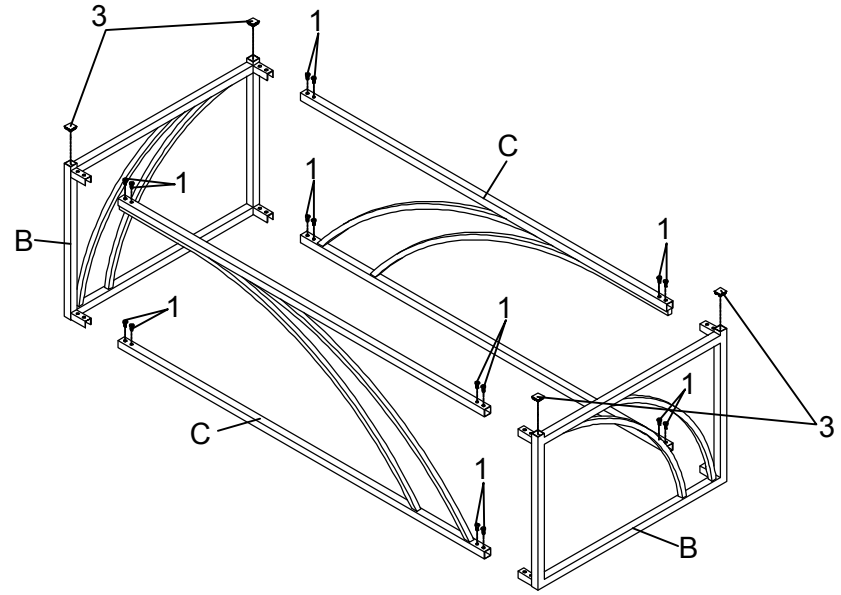


4PCS

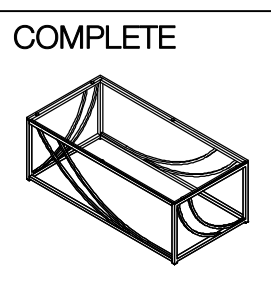
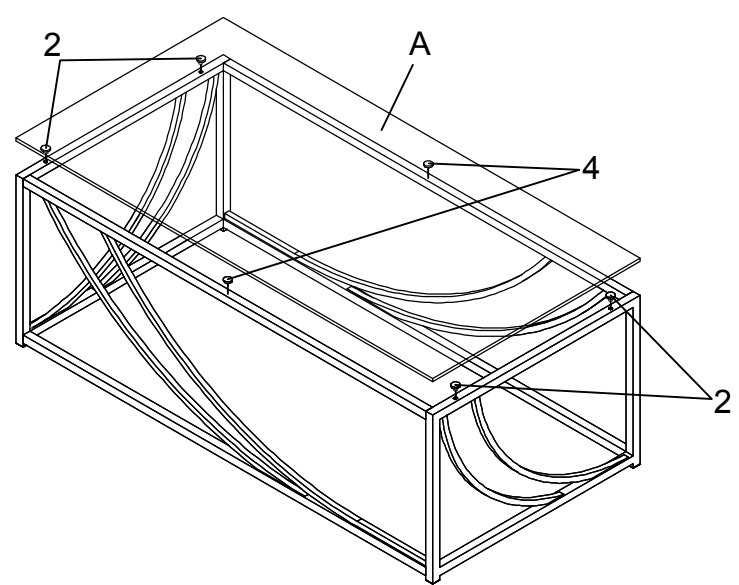
ITEM: 720498 ASSEMBLY INSTRUCTIONS



STEP 1 Do not tighten until each step is completed or instructed.



STEP 2

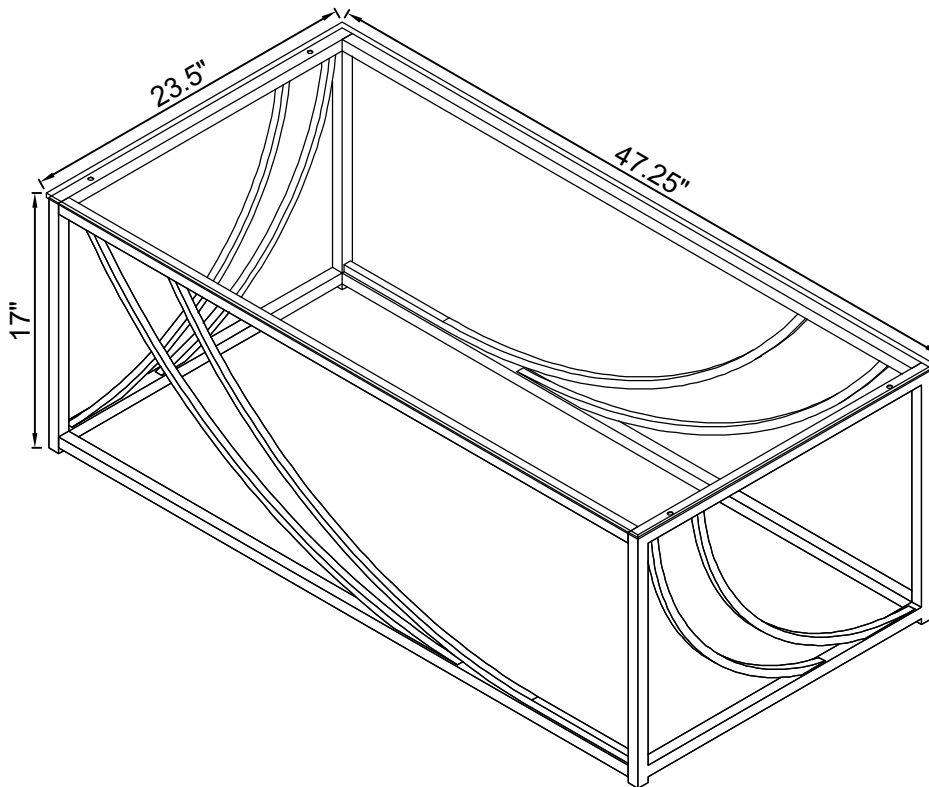


ITEM: 720498 ASSEMBLY INSTRUCTIONS



Product Size : 1200 X 600 X 431 H (MM)

Product Size : 47 ¼" X 23 ½" X 17"



Note : Dimension tolerance $\pm 5\%$