

ASSEMBLY INSTRUCTIONS
COASTER FINE FURNITURE



Fine Furniture for every stage of life

721867
END TABLE

REVISION 0 : 01/15/2021
REVISION 1 : 11/09/2022

ITEM:721867



ASSEMBLY INSTRUCTIONS

ASSEMBLY TIPS:

1. Remove hardware from box and sort by size.
2. Please check to see that all hardware and parts are present prior to start of assembly.
3. Please follow attached instructions in the same sequence as numbered to assure fast & easy assembly.

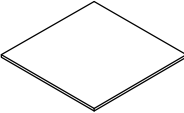
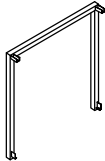

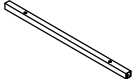


WARNING!


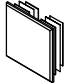


1. Don't attempt to repair or modify parts that are broken or defective. Please contact the store immediately.
2. This product is for home use only and not intended for commercial establishments.

ASSEMBLY TIME 35 MINUTES

PARTS IDENTIFICATION

A	TOP PANEL		1PC
B	SIDE FRAME		2PCS
C	BOTTOM FRAME		1PC
D	CROSSBAR		2PCS

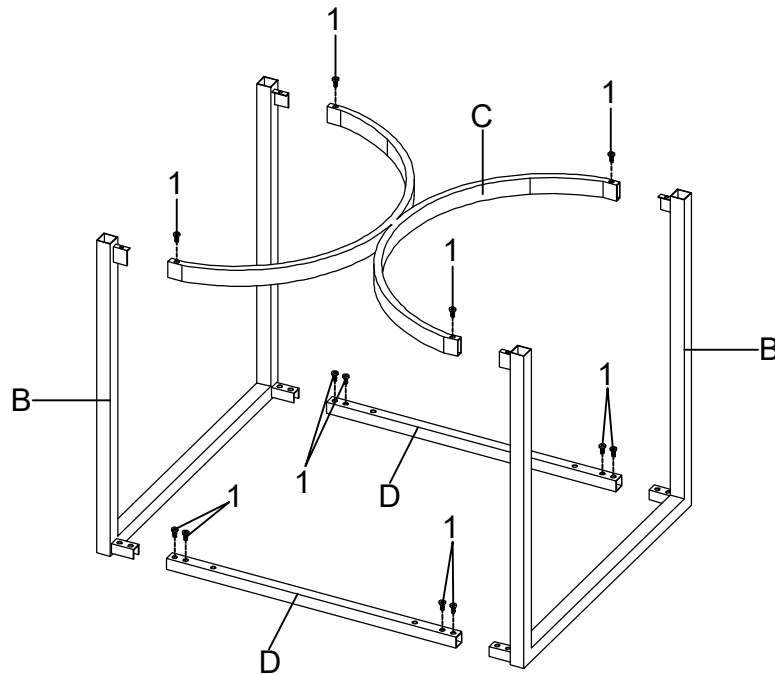
HARDWARE IDENTIFICATION

1	SHORT BOLT (1/4" x 12mm SR)		12PCS	3	CAP (25 x 25mm BLK)		4PCS
2	MEDIUM BOLT (1/4" x 29.5mm SR)		4PCS	4	ALLEN KEY (4mm)		1PC

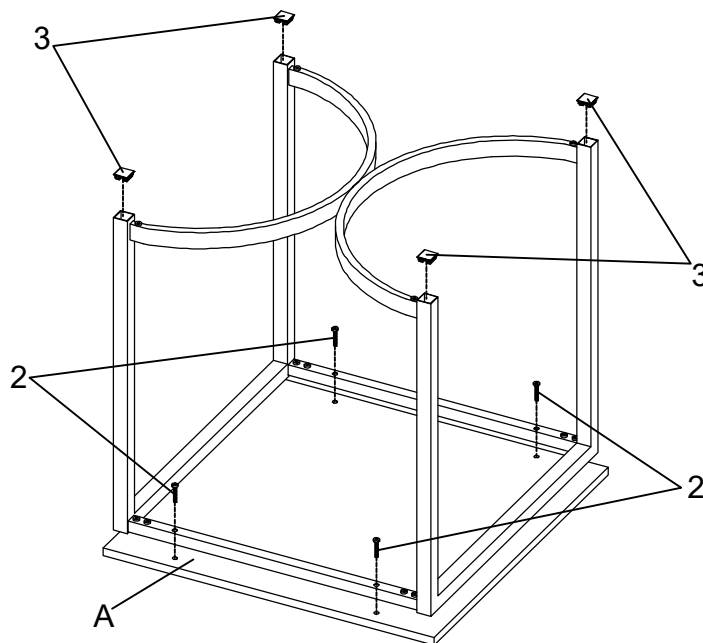
ITEM:721867

ASSEMBLY INSTRUCTIONS

STEP 1 Do not tighten until each step is completed or instructed.



STEP 2

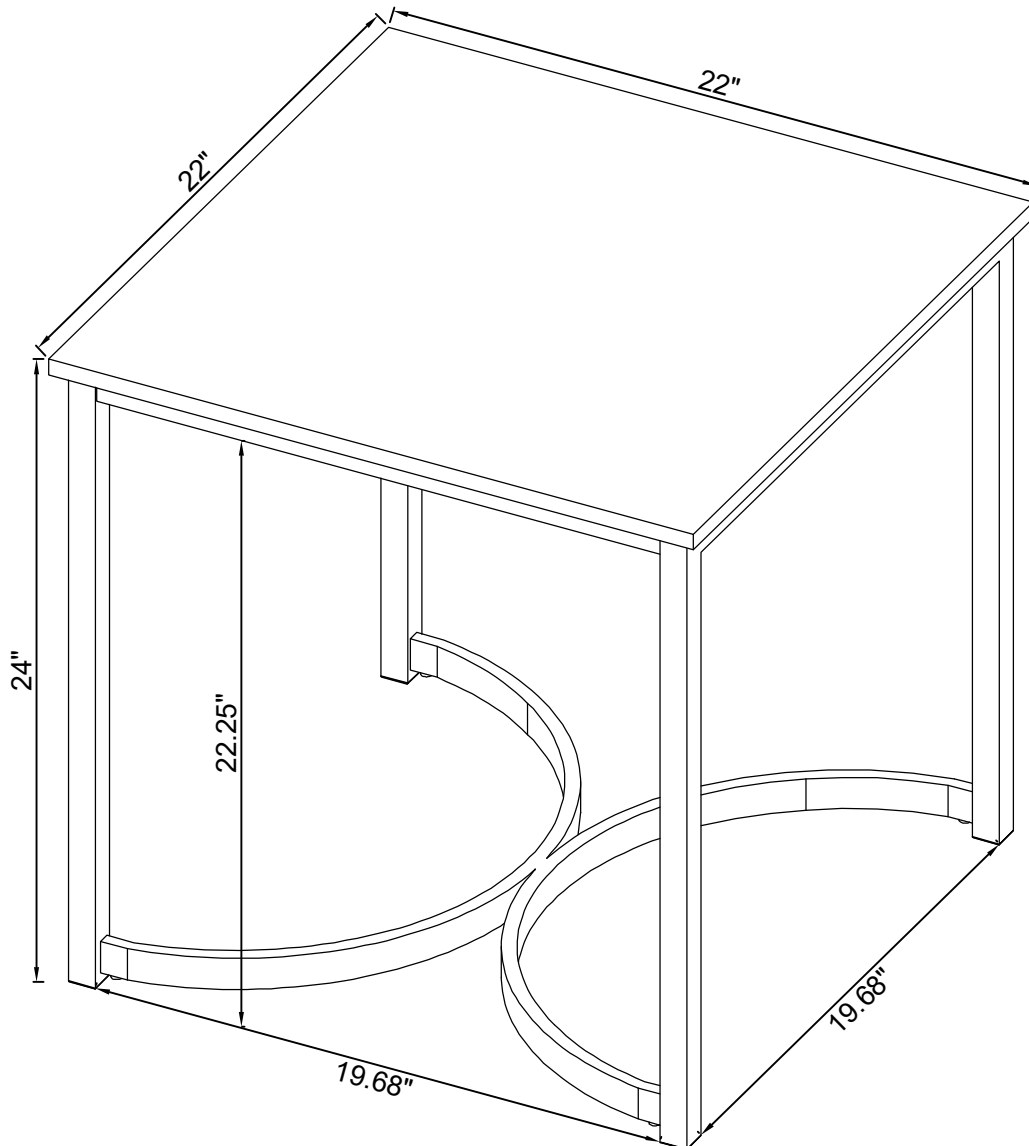


ITEM:721867 ASSEMBLY INSTRUCTIONS



Product Size : 560 X 560 X 610 H (MM)

Product Size : 22" X 22" X 24"



Note : Dimension tolerance $\pm 5\%$