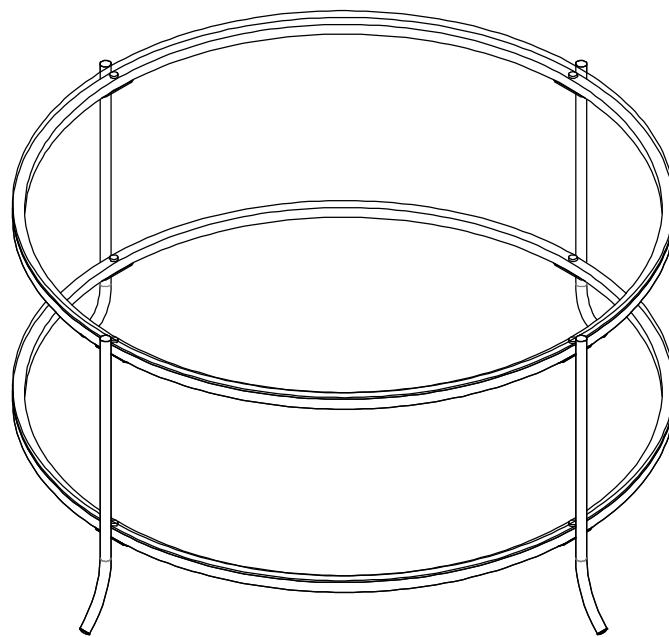


ASSEMBLY INSTRUCTIONS
COASTER FINE FURNITURE



Fine Furniture for every stage of life

723268
COFFEE TABLE

REVISION 0 : 01/29/2021
REVISION 1 : 11/09/2022

ITEM:723268



ASSEMBLY INSTRUCTIONS

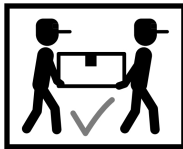
ASSEMBLY TIPS:

1. Remove hardware from box and sort by size.
2. Please check to see that all hardware and parts are present prior to start of assembly.
3. Please follow attached instructions in the same sequence as numbered to assure fast & easy assembly.



WARNING!

1. Don't attempt to repair or modify parts that are broken or defective. Please contact the store immediately.
2. This product is for home use only and not intended for commercial establishments.



ASSEMBLY TIME 30 MINUTES

PARTS IDENTIFICATION

A	TOP GLASS * thickness 8mm *		1PC
B	FRAME		2PCS
C	LEG		4PCS
D	SHELF GLASS * thickness 5mm *		1PC

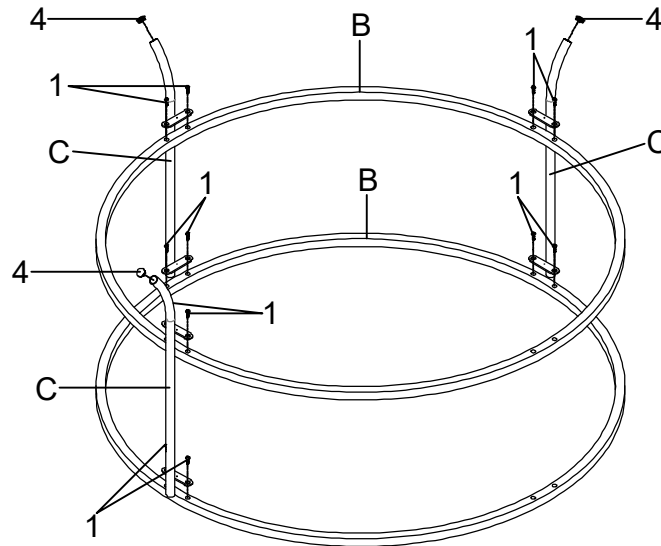
HARDWARE IDENTIFICATION

1	SHORT BOLT (3/16" x 12mm BLK)		16PCS	4	BOTTOM CAP (Ø15mm BLK)		4PCS
2	TOP CAP (Ø15mm BLK)		4PCS	5	ALLEN WRENCH (4mm)		1PC
3	SUCTION CUP		8PCS				

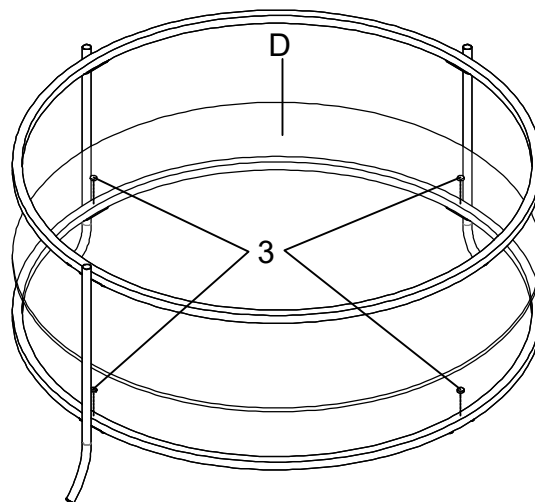
ITEM:723268

ASSEMBLY INSTRUCTIONS

STEP 1 Do not tighten until each step is completed or instructed.



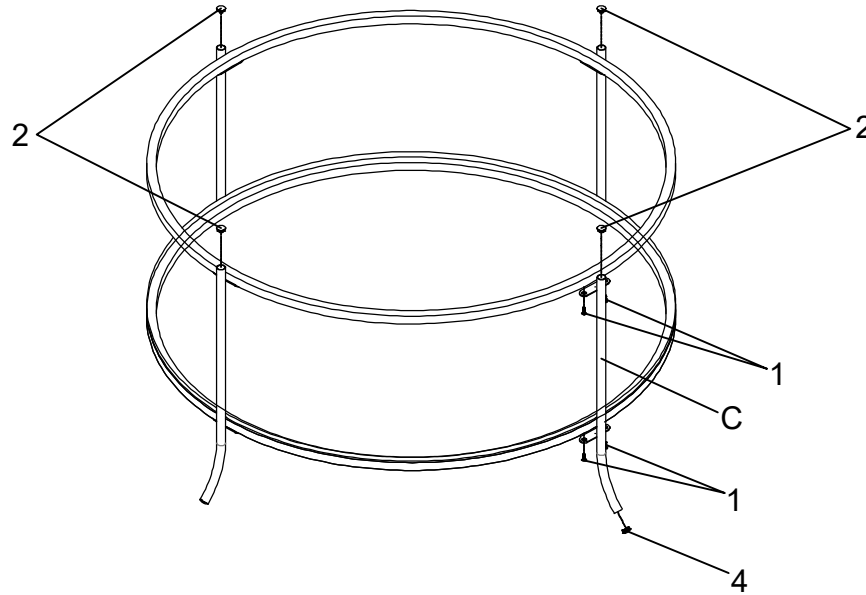
STEP 2



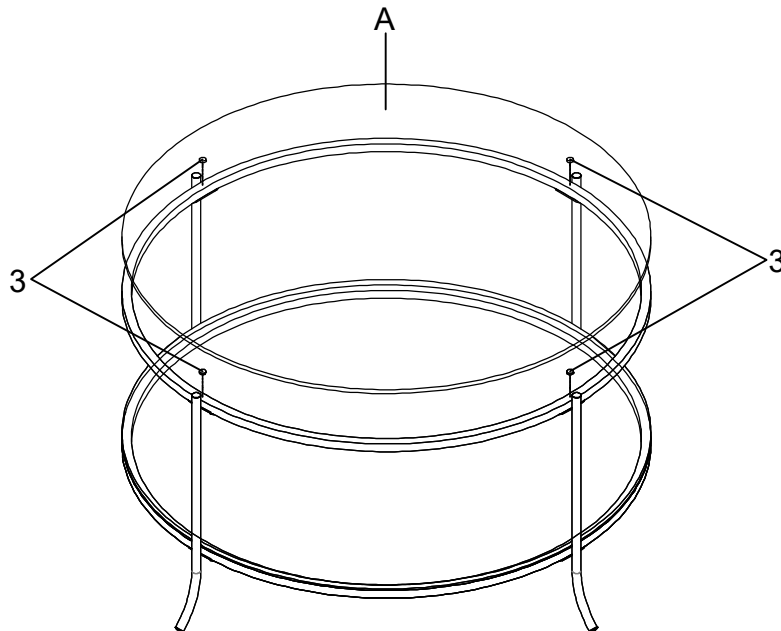
ITEM:723268

ASSEMBLY INSTRUCTIONS

STEP 3



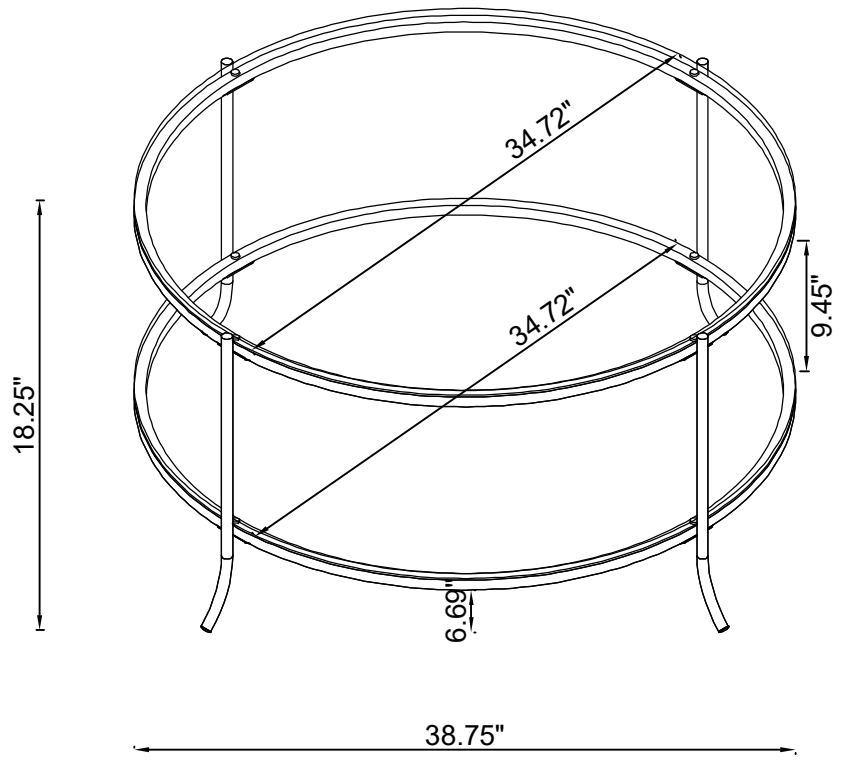
STEP 4



ITEM:723268 ASSEMBLY INSTRUCTIONS



Product Size : 984 DIA X 464 H (MM)
Product Size : 38.75" DIA X 18.25"



Note : Dimension tolerance $\pm 5\%$