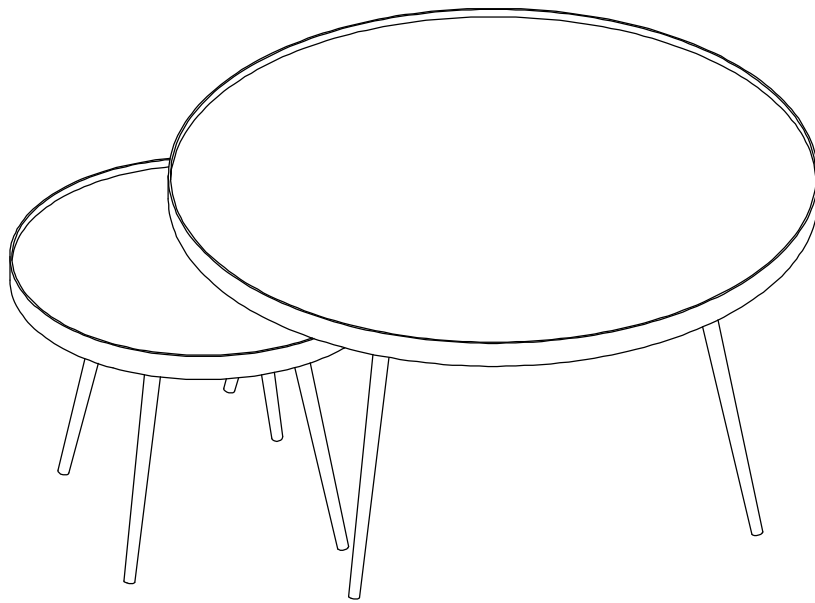


ASSEMBLY INSTRUCTIONS
COASTER FINE FURNITURE



Fine Furniture for every stage of life

723918
2PC NESTING COFFEE TABLE

REVISION 0 : 03/08/2021
REVISION 1 : 11/07/2022

ITEM:723918



ASSEMBLY INSTRUCTIONS

ASSEMBLY TIPS:

1. Remove hardware from box and sort by size.
2. Please check to see that all hardware and parts are present prior to start of assembly.
3. Please follow attached instructions in the same sequence as numbered to assure fast & easy assembly.



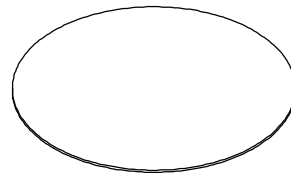
WARNING!

1. Don't attempt to repair or modify parts that are broken or defective. Please contact the store immediately.
2. This product is for home use only and not intended for commercial establishments.

ASSEMBLY TIME 35 MINUTES

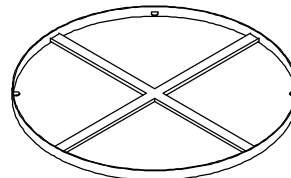
PARTS IDENTIFICATION

AN LARGE MIRROR



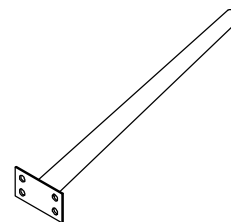
1PC

B LARGE TOP FRAME



1PC

C LARGE LEG



4PCS

DN SMALL MIRROR



1PC

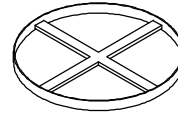
ITEM:723918

ASSEMBLY INSTRUCTIONS

PARTS IDENTIFICATION

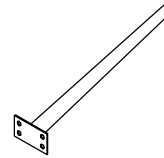


E SMALL TOP FRAME



1PC

F SMALL LEG



4PCS

ZN

HARDWARE IDENTIFICATION

1 BOLT
(1/4" x 12mm GD)



32PCS

3 SUCTION CUP



8PCS

2 CAP
(Ø12mm BLK)



8PCS

4 ALLEN WRENCH
(4mm)



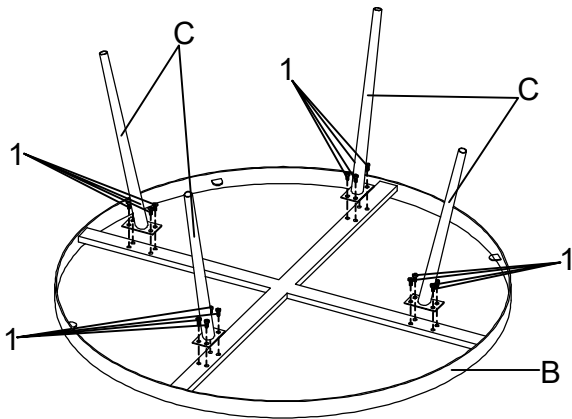
1PC

ITEM:723918

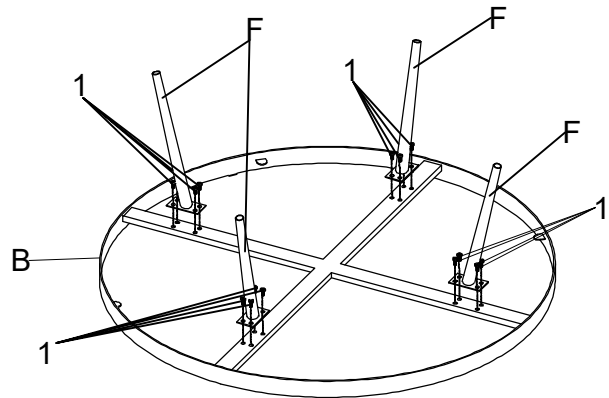


ASSEMBLY INSTRUCTIONS

STEP 1 Do not tighten until each step is completed or instructed.

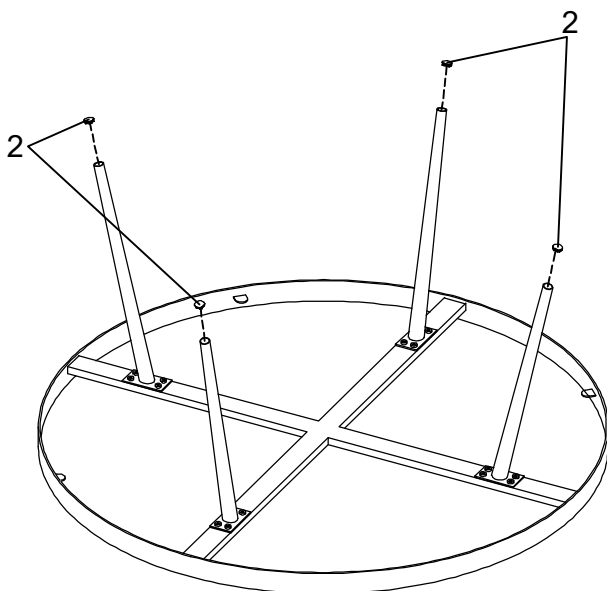


OPTION1

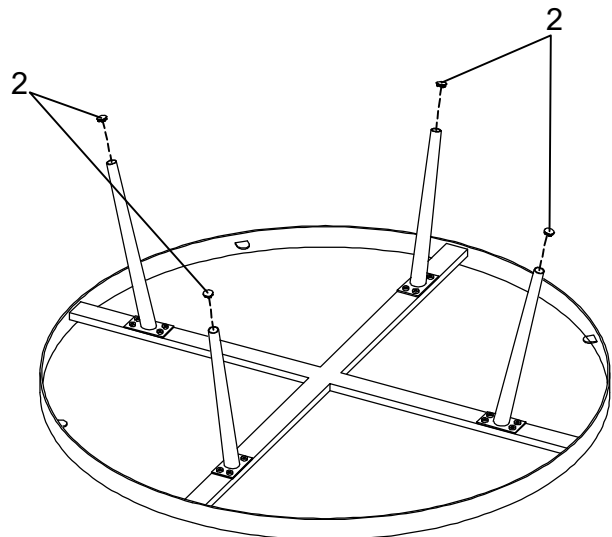


OPTION2

STEP 2



OPTION1

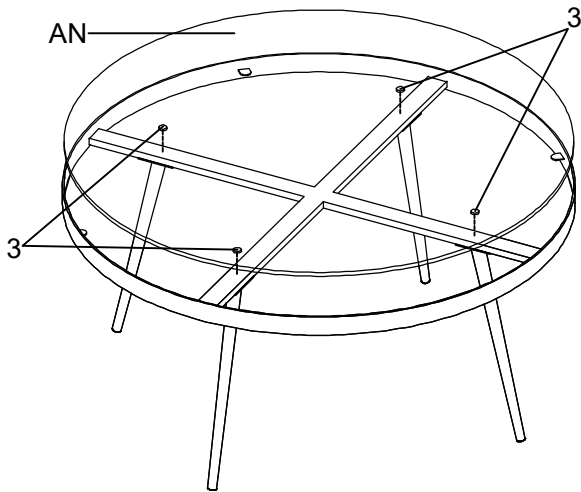


OPTION2

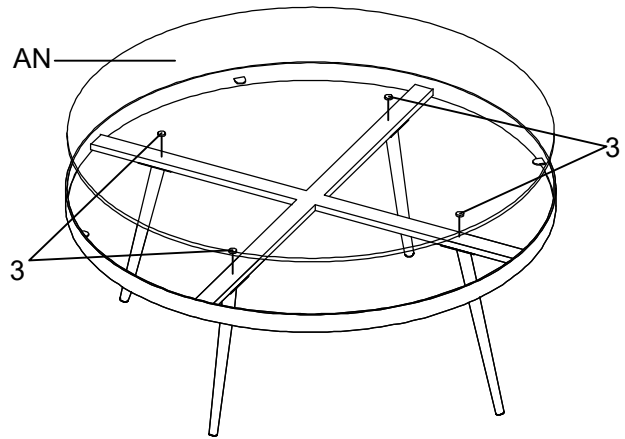
ITEM:723918

ASSEMBLY INSTRUCTIONS

STEP 3

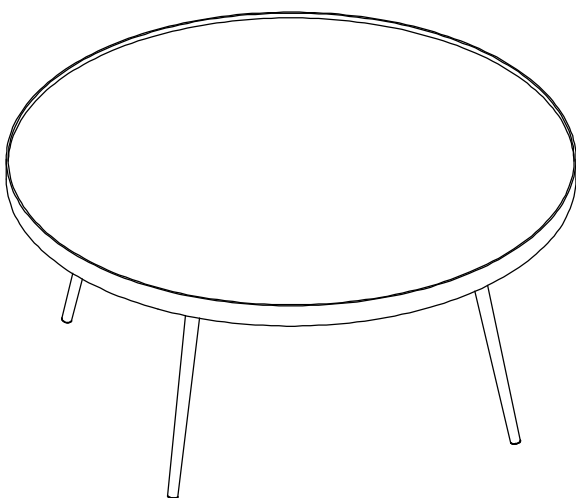


OPTION1

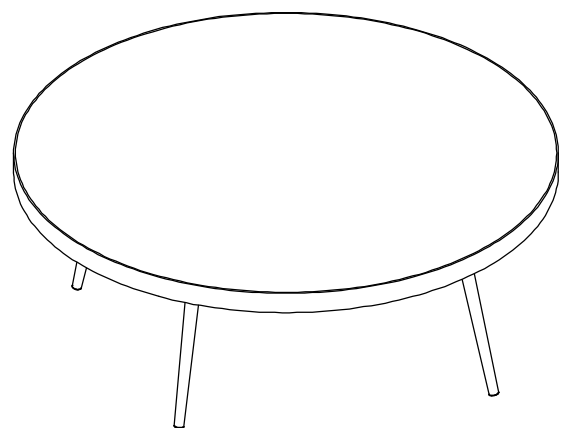


OPTION2

STEP 4 COMPLETE



OPTION1

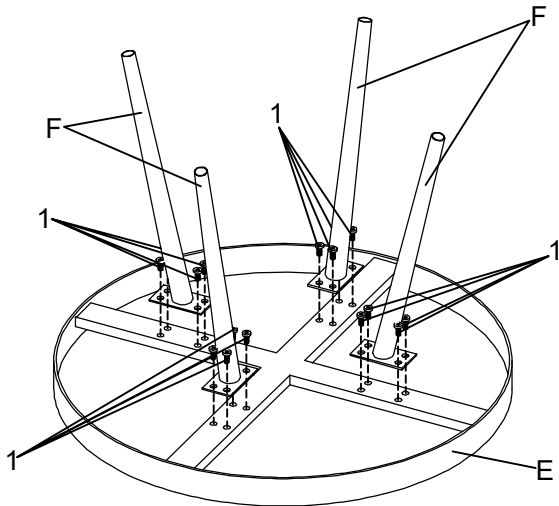


OPTION2

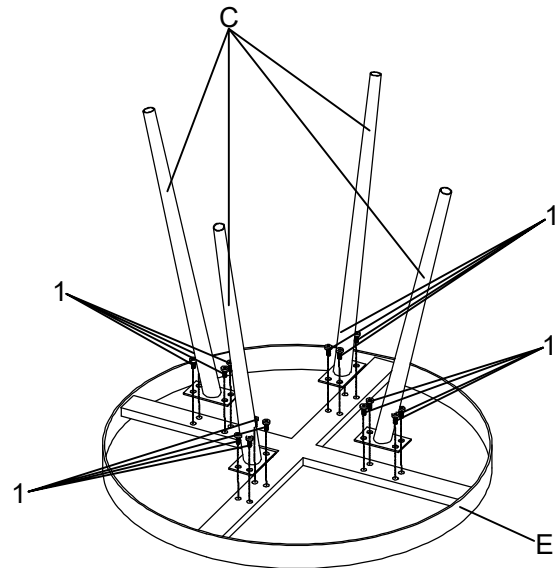
ITEM:723918

ASSEMBLY INSTRUCTIONS

STEP 5

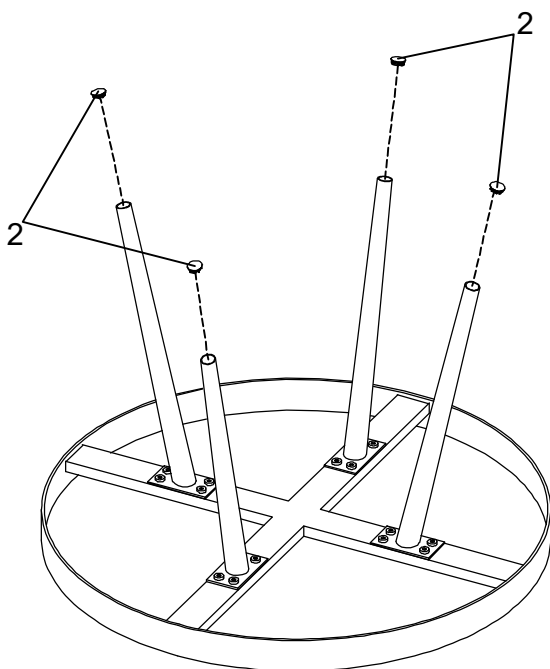


OPTION1

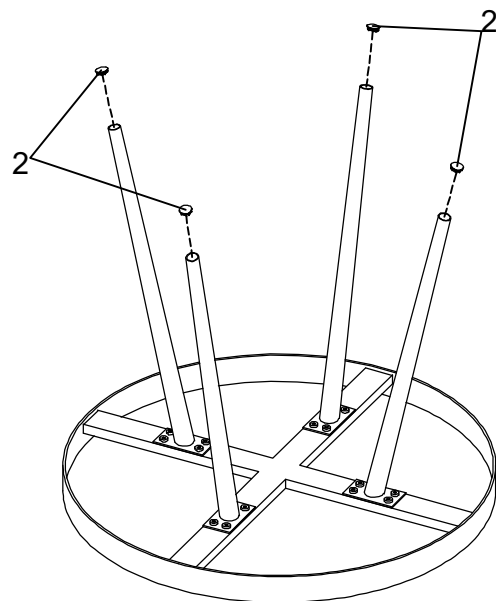


OPTION2

STEP 6



OPTION1

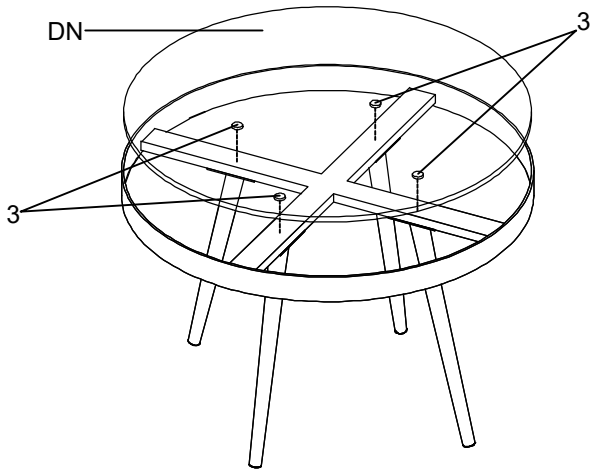


OPTION2

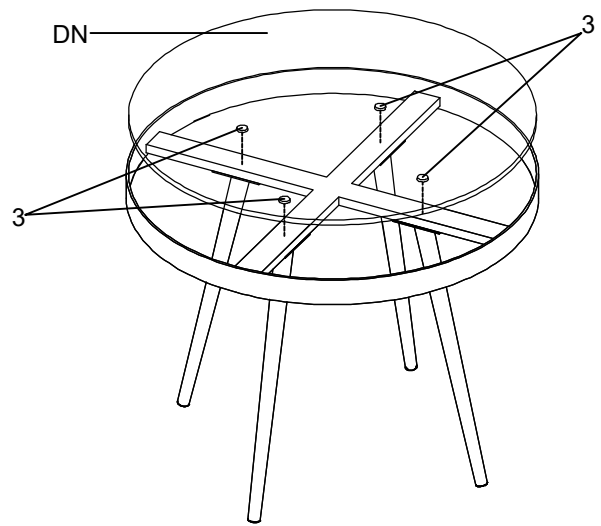
ITEM:723918

ASSEMBLY INSTRUCTIONS

STEP 7

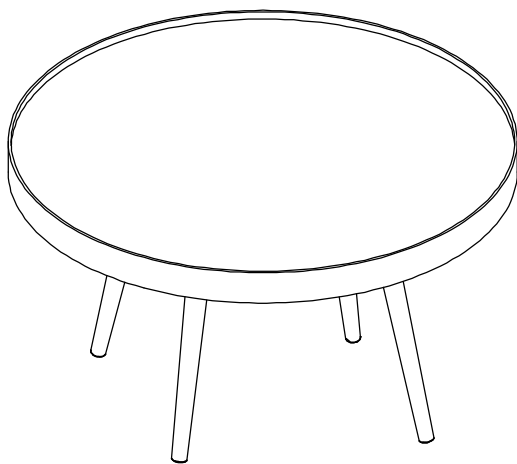


OPTION1

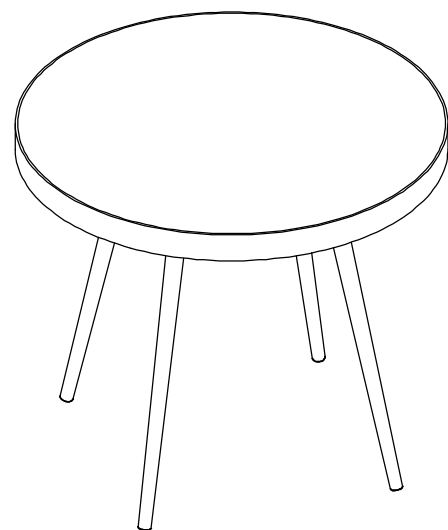


OPTION2

STEP 8 COMPLETE



OPTION1



OPTION2

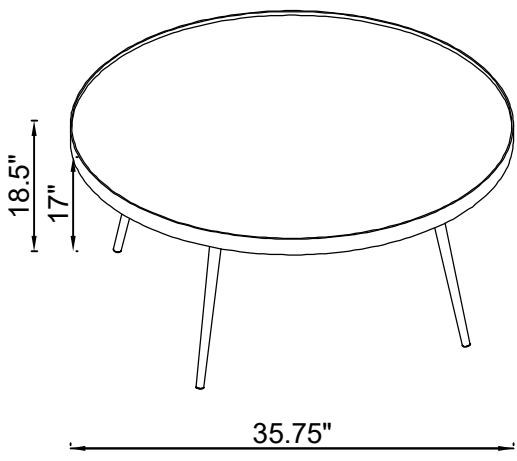
ITEM:723918

ASSEMBLY INSTRUCTIONS

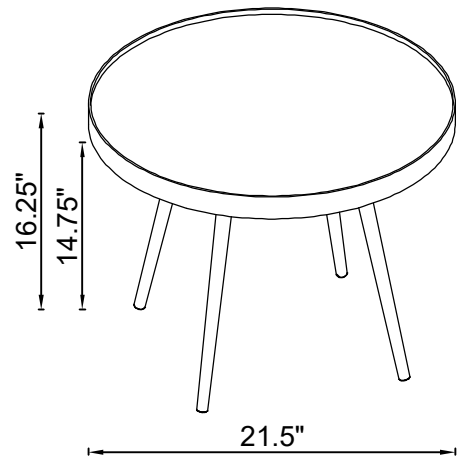


Product Size : 908 DIA X 470 H (MM)
Product Size : 35.75" DIA X 18.5"

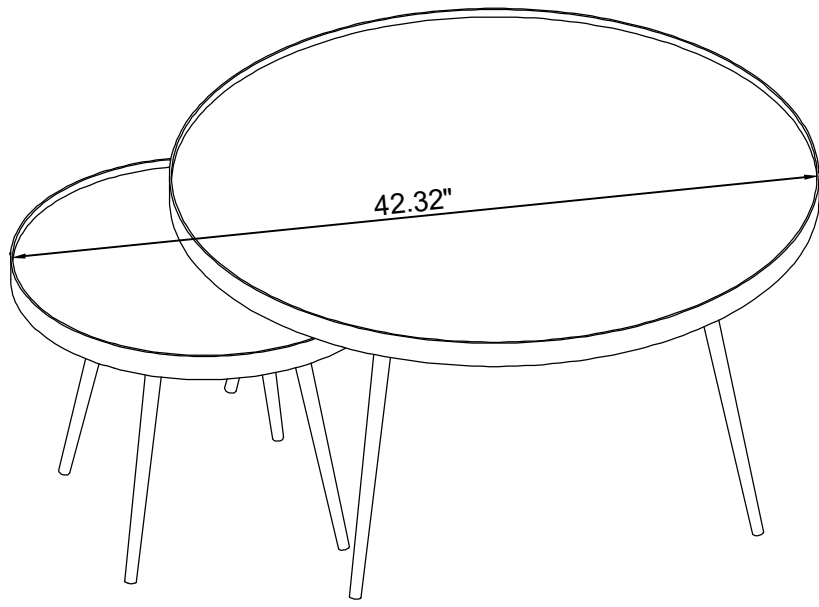
Product Size : 546 DIA X 413 H (MM)
Product Size : 21.5" DIA X 16.25"



OPTION1



OPTION1



Note : Dimension tolerance $\pm 5\%$

ITEM:723918

ASSEMBLY INSTRUCTIONS

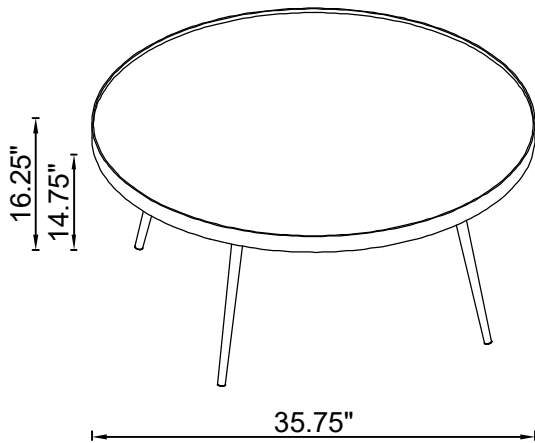


Product Size : 908 DIA X 413 H (MM)

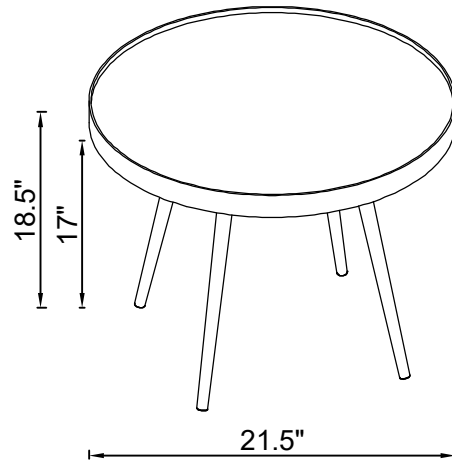
Product Size : 35.75" DIA X 16.25"

Product Size : 546 DIA X 470 H (MM)

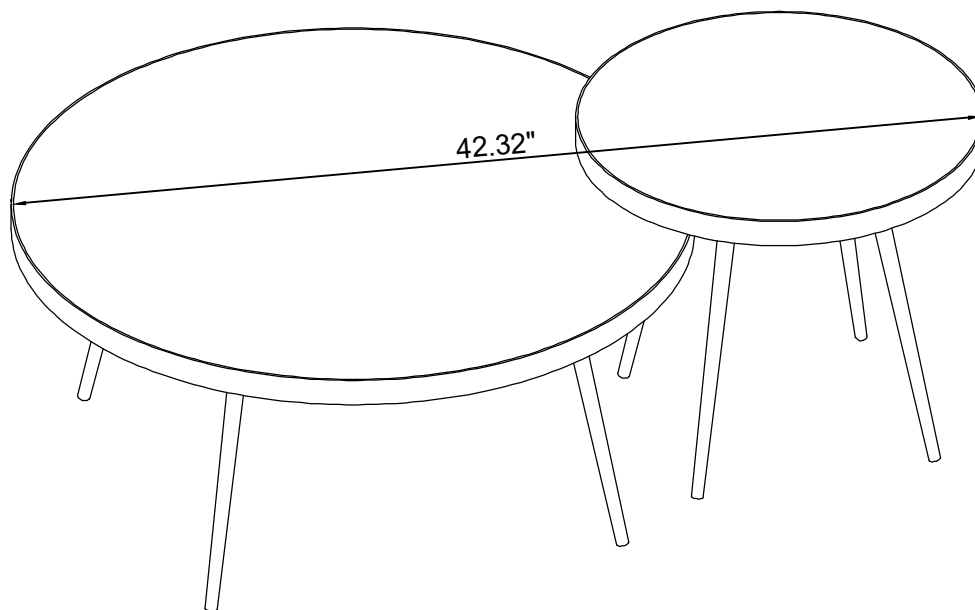
Product Size : 21.5" DIA X 18.5"



OPTION2



OPTION2



Note : Dimension tolerance $\pm 5\%$

OPTION2