

*ASSEMBLY INSTRUCTIONS*  
*COASTER FINE FURNITURE*



*Fine Furniture for every stage of life*

**703737**  
**END TABLE**

REVISION 0 : 09/11/2017  
REVISION 1 : 11/03/2022

ITEM: 703737



# ASSEMBLY INSTRUCTIONS

## ASSEMBLY TIPS:

1. Remove hardware from box and sort by size.
2. Please check to see that all hardware and parts are present prior to start of assembly.
3. Please follow attached instructions in the same sequence as numbered to assure fast & easy assembly.



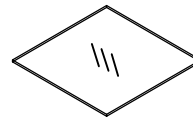
## WARNING!

1. Don't attempt to repair or modify parts that are broken or defective. Please contact the store immediately.
2. This product is for home use only and not intended for commercial establishments.

ASSEMBLY TIME 25 MINUTES

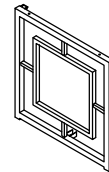
## PARTS IDENTIFICATION

A TOP GLASS



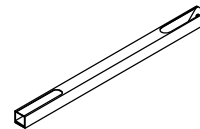
1PC

B SIDE FRAME



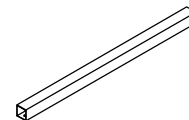
2PCS

C TOP CROSSBAR



2PCS

D BOTTOM CROSSBAR



1PC

## HARDWARE IDENTIFICATION

1 BOLT  
(1/4" x 15mm SR)



8PCS

3 CAP  
(30 x 30mm)



4PCS

2 SUCTION CUP  
(9mm)



4PCS

4 ALLEN WRENCH  
(4mm)



1PC

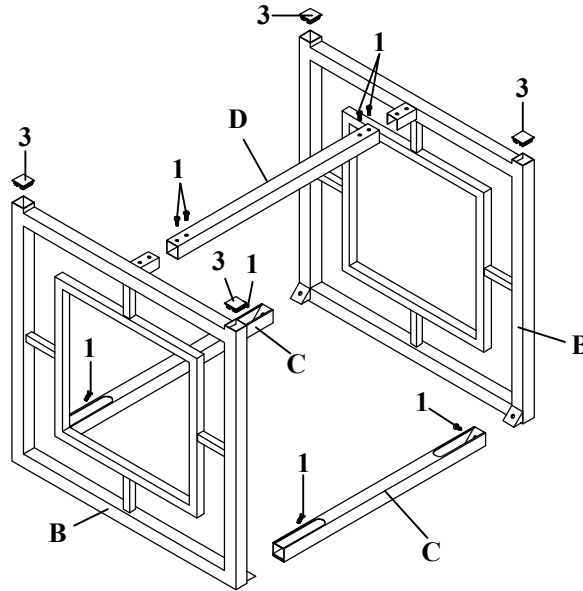
ITEM: 703737

# ASSEMBLY INSTRUCTIONS

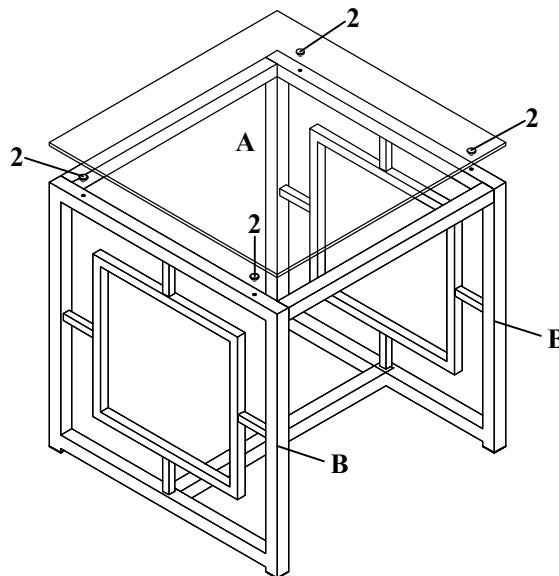


## STEP 1

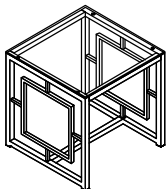
Do not tighten until each step is completed or instructed.



## STEP 2



COMPLETE

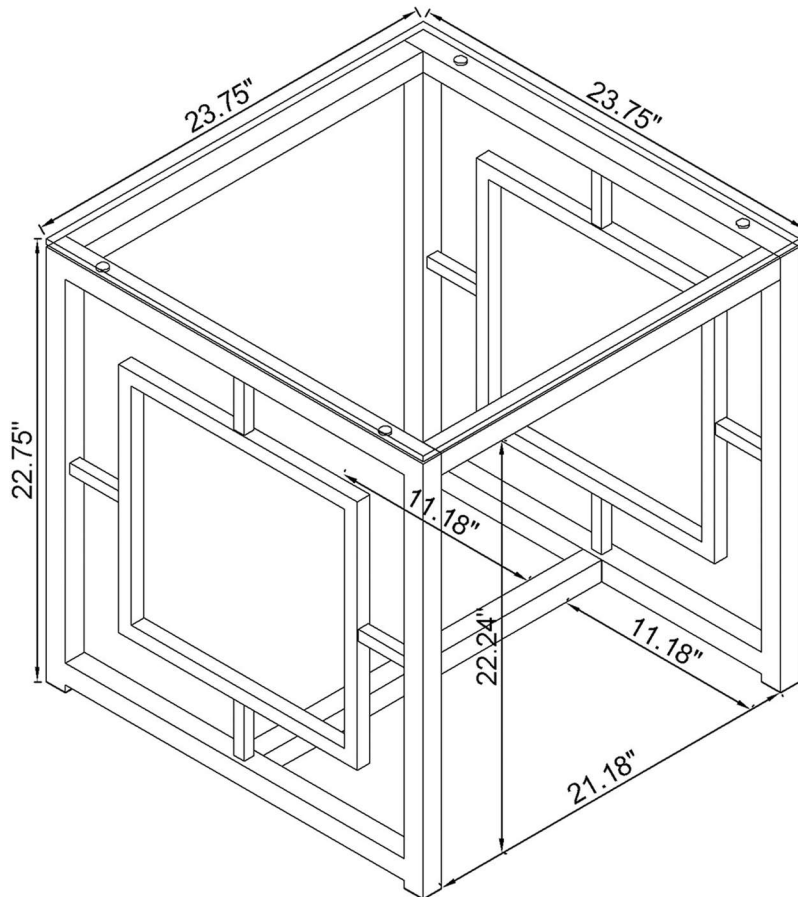


ITEM: 703737  
ASSEMBLY INSTRUCTIONS



Product Size : 603 X 603 X 578 H (MM)

Product Size : 23  $\frac{3}{4}$ " X 23  $\frac{3}{4}$ " X 22  $\frac{3}{4}$ "



Note : Dimension tolerance  $\pm 5\%$