

ASSEMBLY INSTRUCTIONS
COASTER FINE FURNITURE



Fine Furniture for every stage of life

703738
COFFEE TABLE

REVISION 0 : 09/11/2017
REVISION 1 : 11/03/2022

ITEM: 703738



ASSEMBLY INSTRUCTIONS

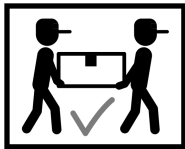
ASSEMBLY TIPS:

1. Remove hardware from box and sort by size.
2. Please check to see that all hardware and parts are present prior to start of assembly.
3. Please follow attached instructions in the same sequence as numbered to assure fast & easy assembly.




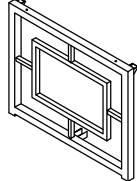
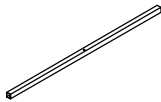
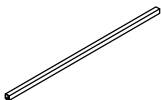
WARNING!

1. Don't attempt to repair or modify parts that are broken or defective. Please contact the store immediately.
2. This product is for home use only and not intended for commercial establishments.







ASSEMBLY TIME 70 MINUTES

PARTS IDENTIFICATION

A	TOP GLASS		1PC
B	SIDE FRAME		2PCS
C	TOP CROSSBAR		2PCS
D	BOTTOM CROSSBAR		1PC

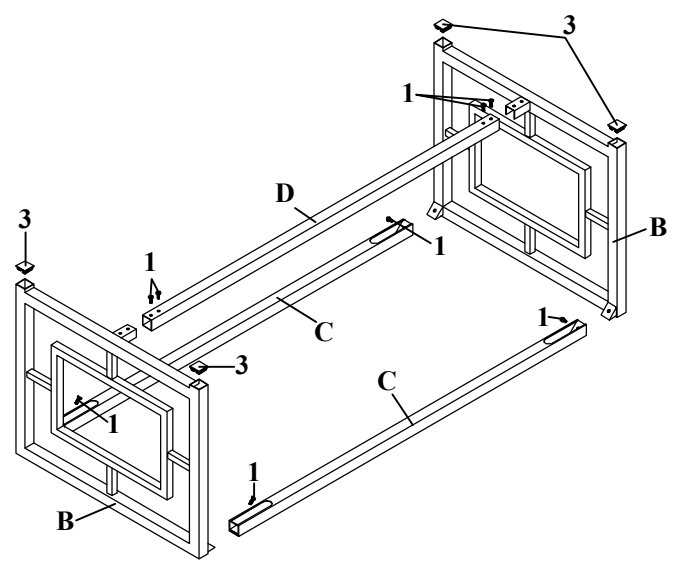
HARDWARE IDENTIFICATION

1	BOLT (1/4" x 15mm SR)		8PCS	3	CAP (30 x 30mm)		4PCS
2	SUCTION CUP (9mm)		6PCS	4	ALLEN WRENCH (4mm)		1PC

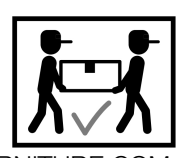
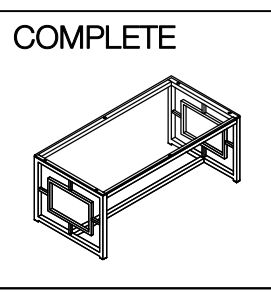
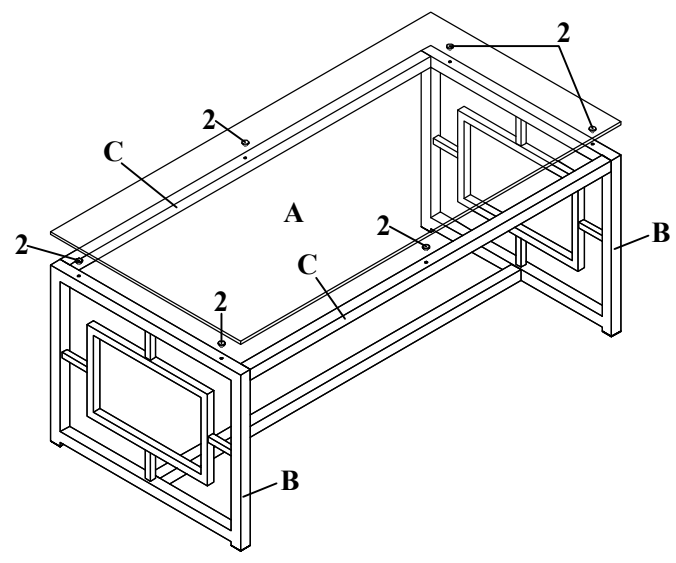
ITEM: 703738 ASSEMBLY INSTRUCTIONS



STEP 1 Do not tighten until each step is completed or instructed.



STEP 2

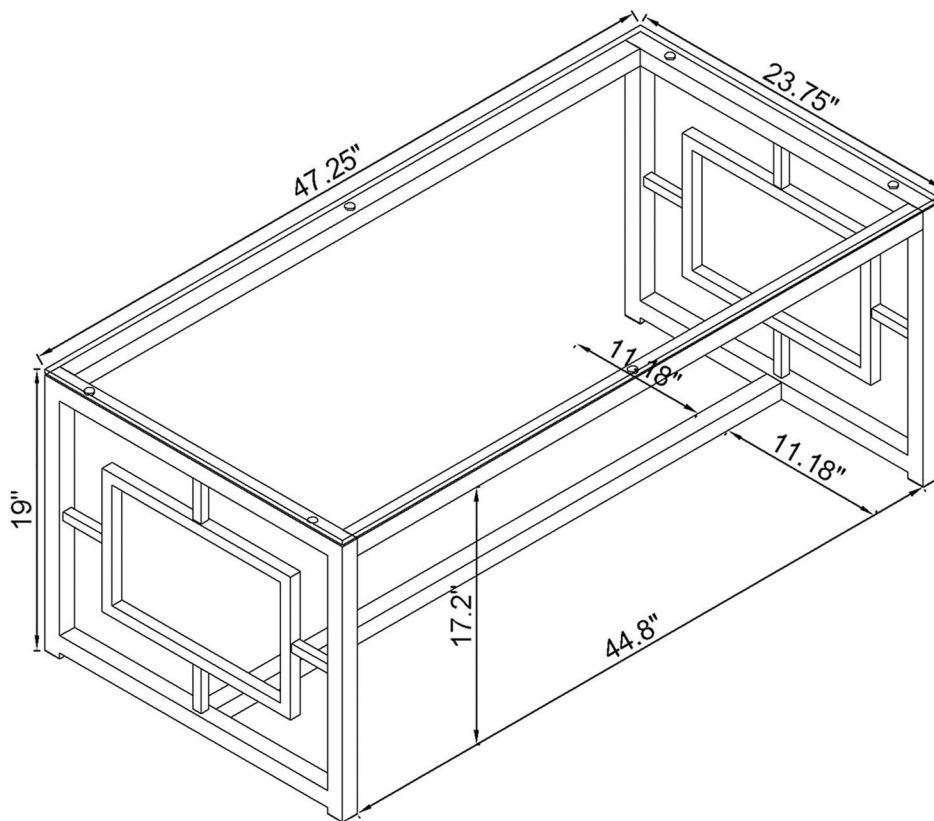


ITEM: 703738 ASSEMBLY INSTRUCTIONS



Product Size : 1200 X 603 X 483 H (MM)

Product Size : 47 $\frac{1}{4}$ " X 23 $\frac{3}{4}$ " X 19"



Note : Dimension tolerance $\pm 5\%$