

***ASSEMBLY INSTRUCTIONS***  
***COASTER FINE FURNITURE***



*Fine Furniture for every stage of life*

**300621KE(B1&B2)**  
***Eastern King Bed***

# ITEM: 300621KE(B1&B2)

## ASSEMBLY INSTRUCTIONS

### ASSEMBLY TIPS:

1. Remove hardware from box and sort by size.
2. Please check to see that all hardware and parts are present prior to start of assembly.
3. Please follow attached instructions in the same sequence as numbered to assure fast & easy assembly.



### WARNING!

1. Don't attempt to repair or modify parts that are broken or defective. Please contact the store immediately.
2. This product is for home use only and not intended for commercial establishments.



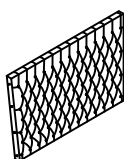
ASSEMBLY TIME

15 MINUTES

## PARTS IDENTIFICATION

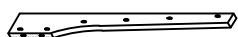
### B1(BOX1)

AV HEADBOARD PANEL



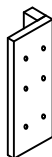
1PC

CV RIGHT HEADBOARD LEG



1PC

EV RIGHT METAL CLEAT



1PC

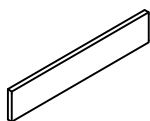
### B2(BOX2)

FV FOOTBOARD LEG



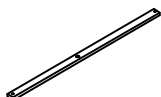
2PCS

HV FOOTBOARD PANEL



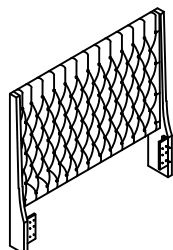
1PC

JV BED SLAT



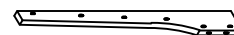
5PCS

300621KE(B1)  
HBV FROM BOX1  
HEADBOARD  
COMPLETE



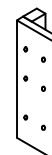
1PC

BV LEFT HEADBOARD LEG



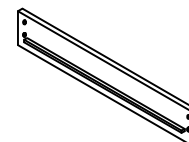
1PC

DV LEFT METAL CLEAT



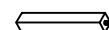
1PC

GV BED RAIL



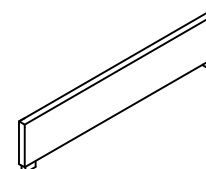
2PCS

IV BED SLAT SUPPORT  
WITH LEVELER



10PCS

300621KE(B2)  
FBV FROM BOX2  
FOOTBOARD  
COMPLETE



1PC

# ITEM: 300621KE(B1&B2)

## ASSEMBLY INSTRUCTIONS

### ASSEMBLY TIPS:

1. Remove hardware from box and sort by size.
2. Please check to see that all hardware and parts are present prior to start of assembly.
3. Please follow attached instructions in the same sequence as numbered to assure fast & easy assembly.


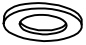




### WARNING!

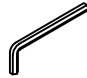






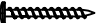

1. Don't attempt to repair or modify parts that are broken or defective. Please contact the store immediately.
2. This product is for home use only and not intended for commercial establishments.

## HARDWARE IDENTIFICATION

### Z-B1(BOX1)-HARDWARE PACK IS LOCATED IN 300621KE(B1)

1	<b>ALLEN WRENCH</b> (5MM-RBW)		1PC	2	<b>FLAT WASHER</b> ( Ø 5/16 "-RBW )		18PCS
3	<b>BOLT</b> ( Ø 5/16 " X40mm-RBW )		18PCS	4	<b>LOCK WASHER</b> ( Ø 5/16 "-RBW )		18PCS

### Z-B2(BOX2)-HARDWARE PACK IS LOCATED IN 300621KE(B2)

5	<b>ALLEN WRENCH</b> (5MM-RBW)		1PC	6	<b>FLAT WASHER</b> ( Ø 5/16 "-RBW )		4PCS
7	<b>BOLT</b> ( Ø 5/16 "X50mm-RBW )		4PCS	8	<b>THREADED BOLT</b> ( Ø 5/16 "X90mm-RBW )		8PCS
9	<b>LOCK WASHER</b> ( Ø 5/16 "-RBW )		4PCS	10	<b>HEX NUT</b> ( 16mmx13mmx13-RBW )		8PCS
11	<b>WRENCH</b> ( 14MM-RBW )		1PC	12	<b>FLAT HEAD SCREW</b> ( m4x30mm-RBW )		10PCS
13	<b>U-SQUARE WASHER</b> ( 36mmx15mmx11mm-RBW )		8PCS				

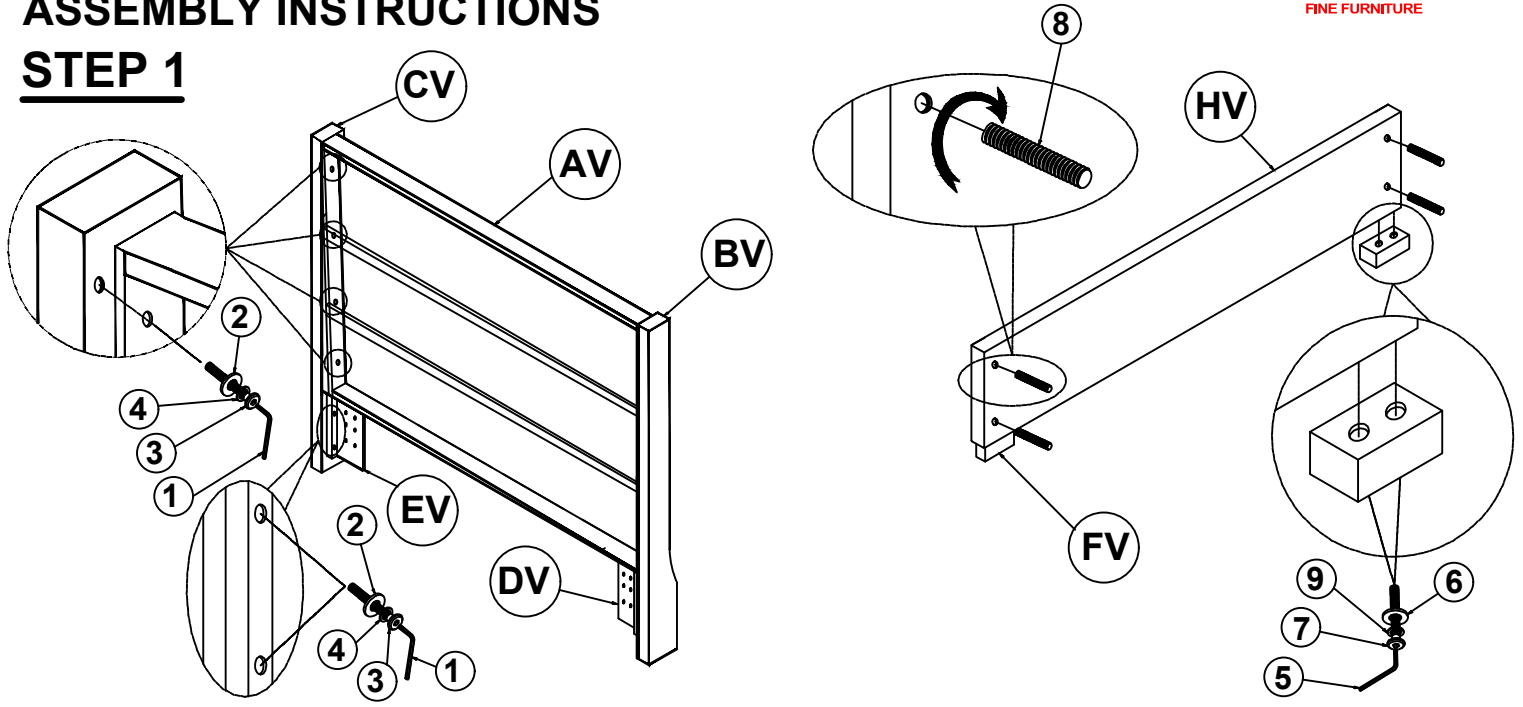
### NOTE:

Phillips hed screw driver is required in the assembly process; however, manufacturer does not provide this item.

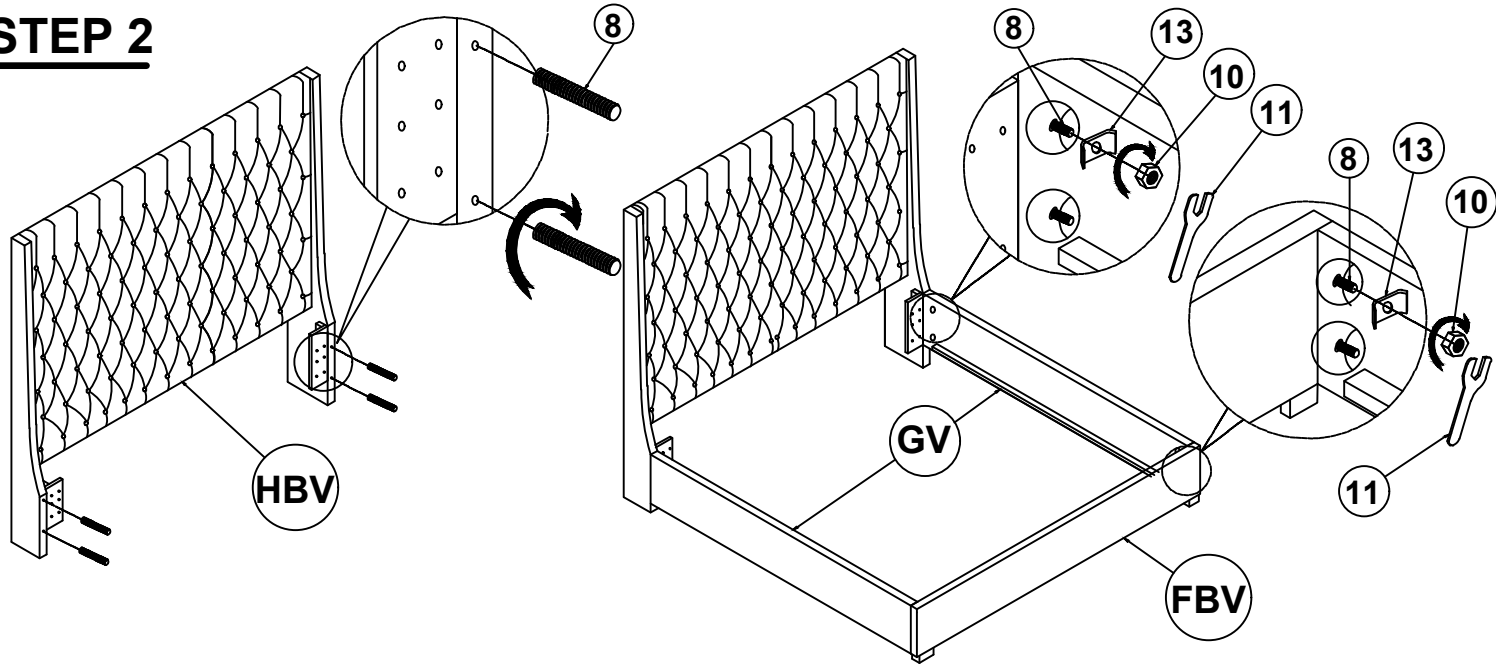
# ITEM: 300621KE(B1&B2)

## ASSEMBLY INSTRUCTIONS

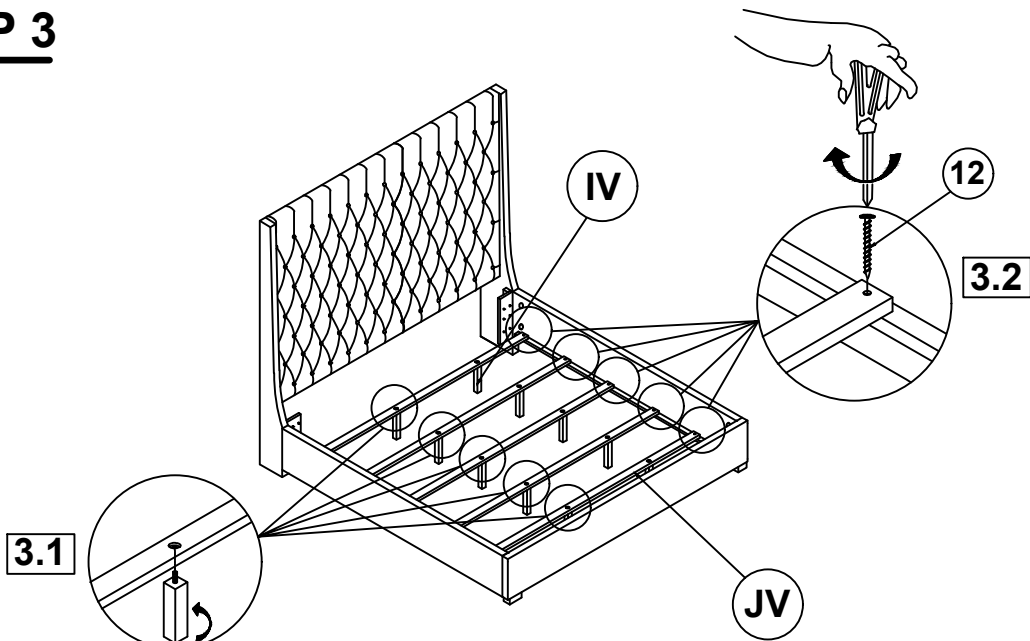
### STEP 1



### STEP 2



### STEP 3



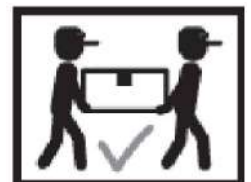
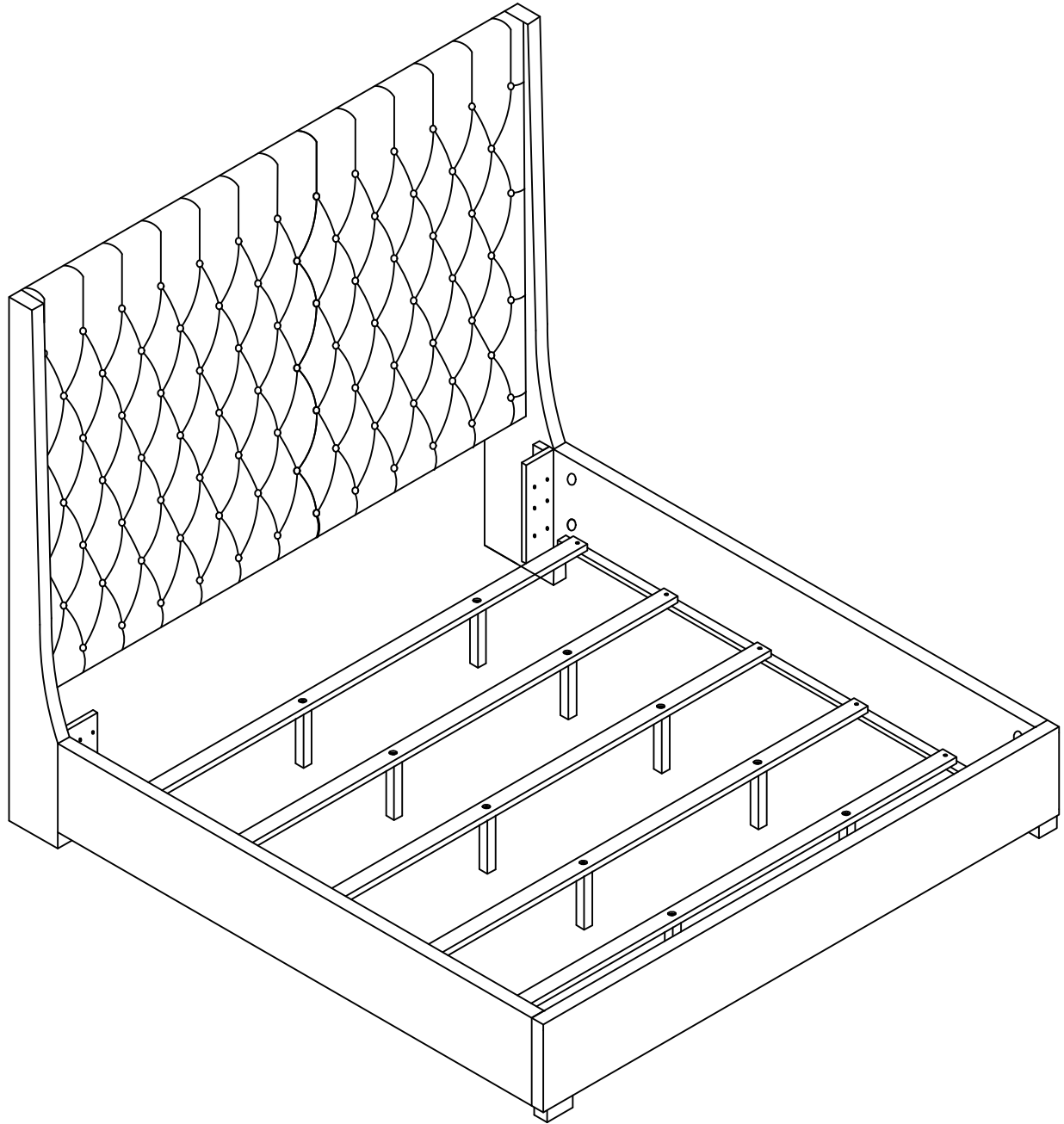
ITEM: **300621KE(B1&B2)**

ASSEMBLY INSTRUCTIONS

**STEP 4**

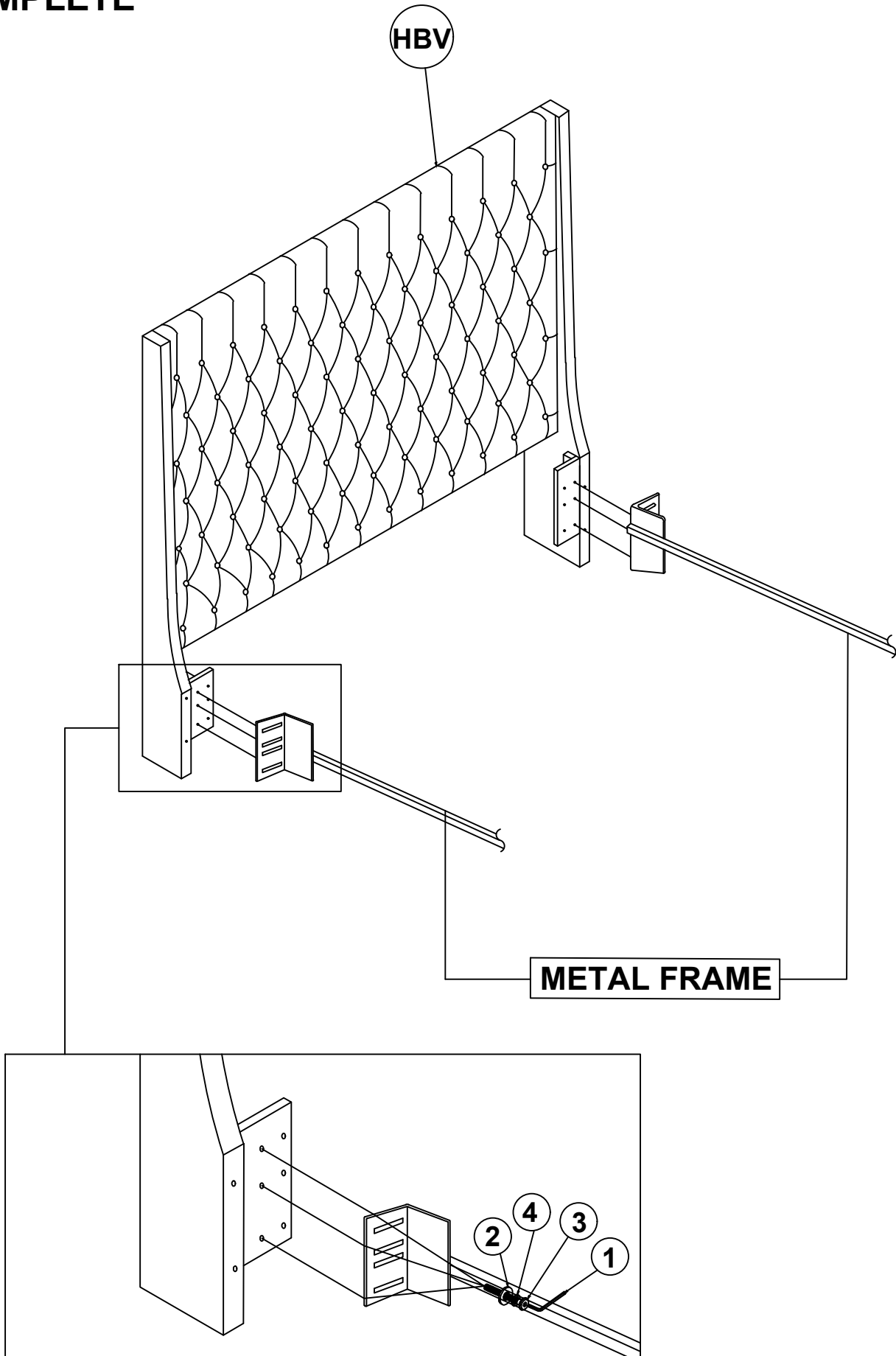
**COMPLETE**

**COASTER**<sup>®</sup>  
FINE FURNITURE



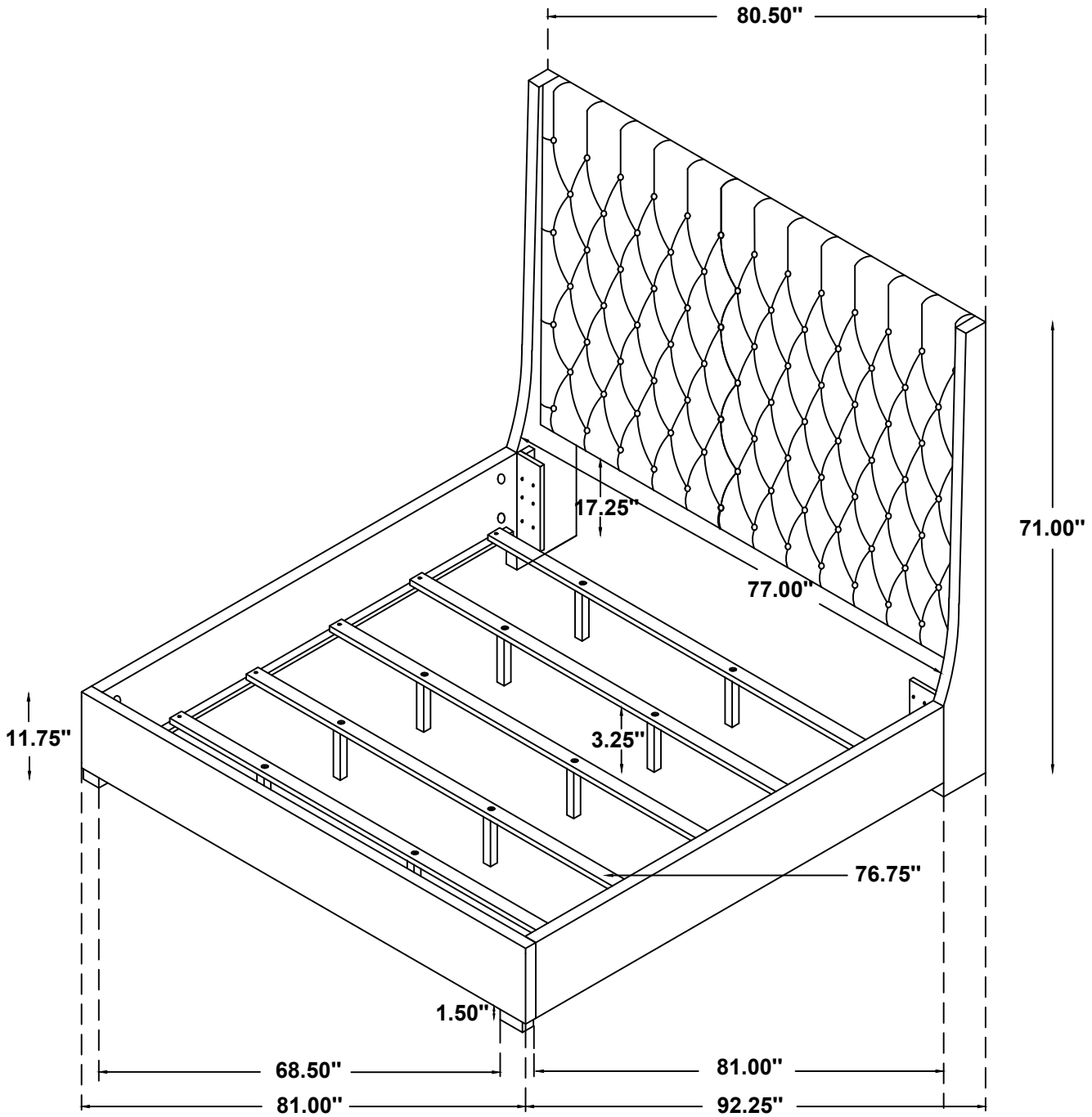
# ITEM: 300621KE(B1&B2)

## ASSEMBLY HEADBOARD TO METAL FRAME COMPLETE



ITEM: **300621KE(B1&B2)**

Inner Size: 77.00"W X 81.00"D



Note: Dimension tolerance  $\pm 5\%$