

ASSEMBLY INSTRUCTIONS
COASTER FINE FURNITURE



Fine Furniture for every stage of life

122059
Swivel Counter Height Stool

REVISION 1: 10/07/2020
REVISION 1: 28/10/2020
REVISION 2 : 11/08/2022

ITEM: 122059

ASSEMBLY INSTRUCTIONS



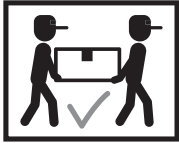
ASSEMBLY TIPS:

1. Remove hardware from box and sort by size.
2. Please check to see that all hardware and parts are present prior to start of assembly.
3. Please follow attached instructions in the same sequence as numbered to assure fast & easy assembly.



WARNING!

1. Don't attempt to repair or modify parts that are broken or defective. Please contact the store immediately.
2. This product is for home use only and not intended for commercial establishments.



ASSEMBLY TIME

15 MINUTES

PARTS IDENTIFICATION

A LEGS  4PCS

B CIRCLE  1PC

C FRAME 1  1PC






D FRAME 2  1PC

E PLATE  1PC

F BACK  1PC

G CUSHION  1PC

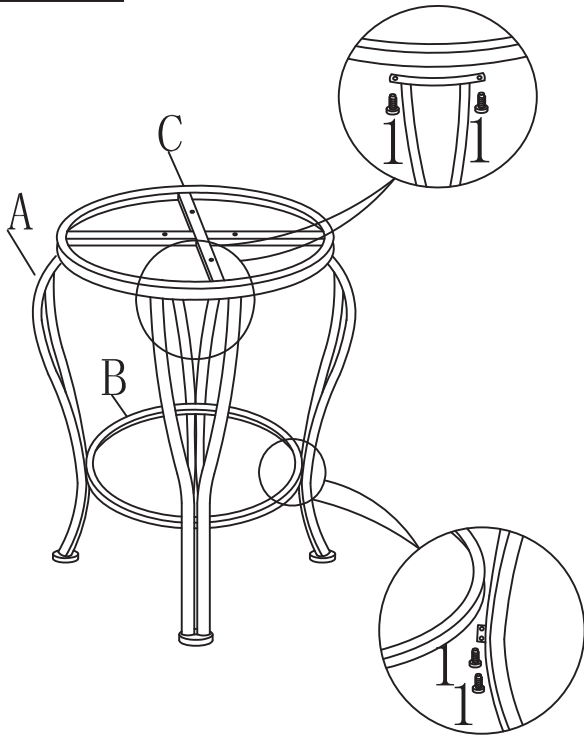
Z HARDWARE IDENTIFICATION

	DESCRIPTION	FIGURE	Q'TY
1	1/4"x12mm ALLEN BOLT-SMALL		24PCS
2	1/4"x15mm ALLEN BOLT-MEDIUM		3PCS
3	1/4"x30mm ALLEN BOLT-LARGE		2PCS
4	5x35mm SCREW		4PCS
5	4mm ALLEN WRENCH		1PC

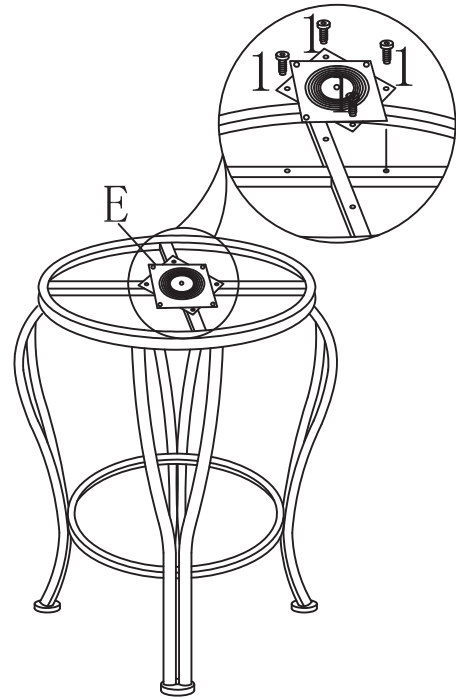
ITEM: 122059

ASSEMBLY INSTRUCTIONS

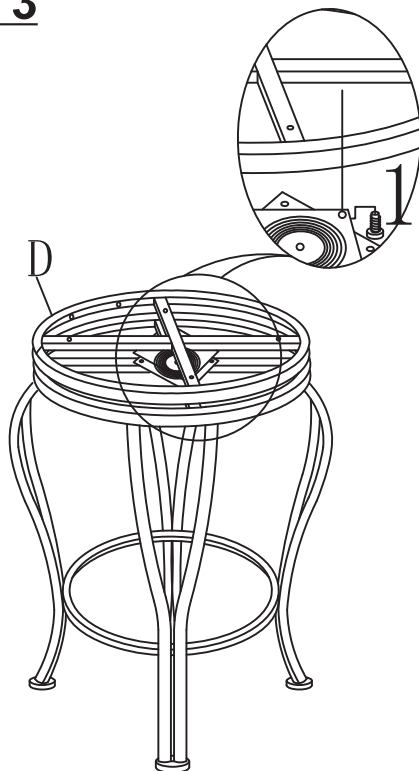
STEP 1



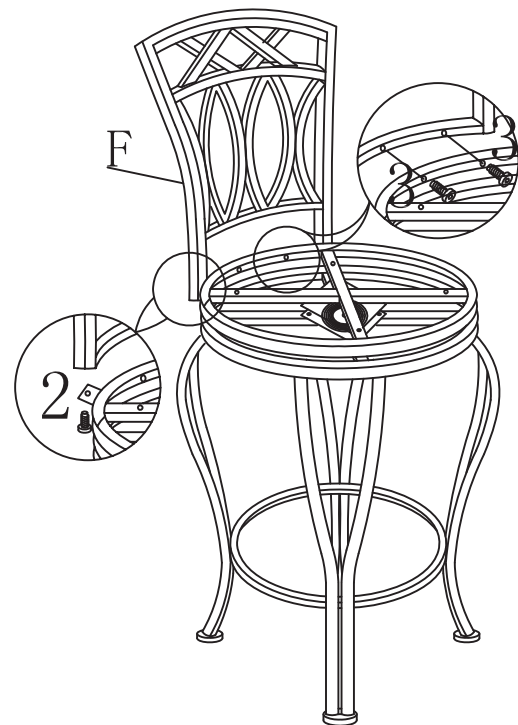
STEP 2



STEP 3



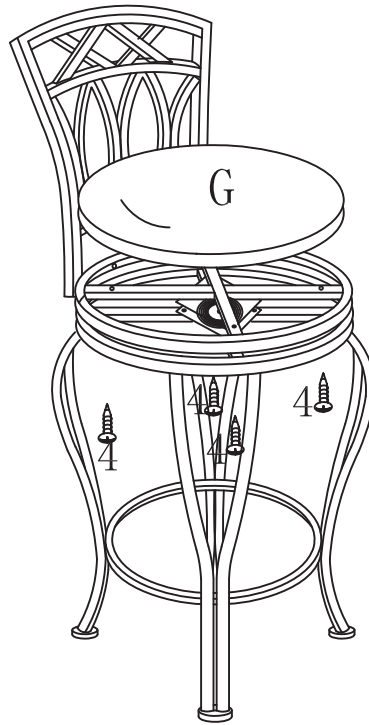
STEP 4



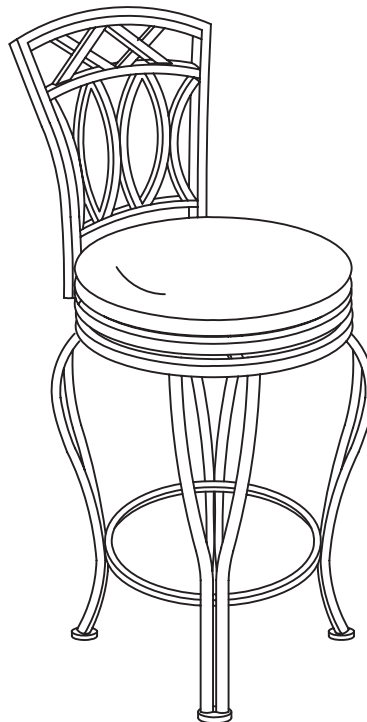
ITEM: 122059

ASSEMBLY INSTRUCTIONS

STEP 5



STEP 6



ITEM: 122059

COASTER
FINE FURNITURE

