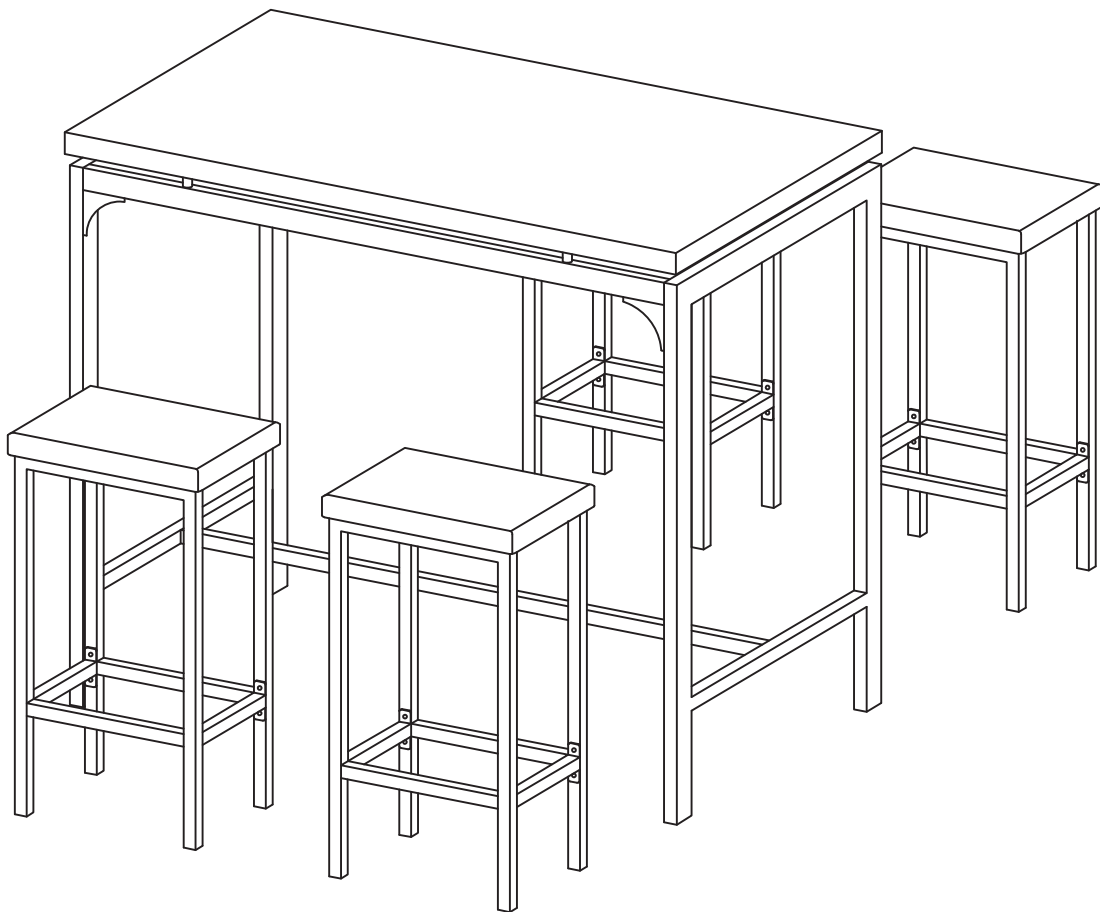


# ASSEMBLY INSTRUCTIONS COASTER FINE FURNITURE



*Fine Furniture for every stage of life*

**182002**  
**5pc Bar Set**

REVISION 0 : 05/07/2019  
REVISION 1 : 05/04/2021  
REVISION 2 : 11/08/2022

COASTERFURNITURE.COM

ITEM:182002

# ASSEMBLY INSTRUCTIONS



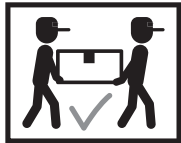
## ASSEMBLY TIPS:

1. Remove hardware from box and sort by size.
2. Please check to see that all hardware and parts are present prior to start of assembly.
3. Please follow attached instructions in the same sequence as numbered to assure fast & easy assembly.



## WARNING!







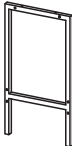
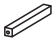

1. Don't attempt to repair or modify parts that are broken or defective. Please contact the store immediately.
2. This product is for home use only and not intended for commercial establishments.



ASSEMBLY TIME

20 MINUTES










## PARTS IDENTIFICATION

<b>A</b>	Table Top		1 PC
<b>B</b>	Table Side Frame		2 PCS
<b>C</b>	Table Top Crossbar		2 PCS
<b>D</b>	Table Bottom Crossbar		1 PC
<b>E</b>	Table Corner Support		4 PCS
<b>F</b>	Chair Seat		4 PCS
<b>G</b>	Chair Side Frame		8 PCS
<b>H</b>	Chair Top Crossbar		8 PCS
<b>I</b>	Chair Bottom Crossbar		8 PCS

## NOTE:

QUANTITIES SHOWN ARE FOR ONE TABLE WITH FOUR CHAIRS

## HARDWARE IDENTIFICATION

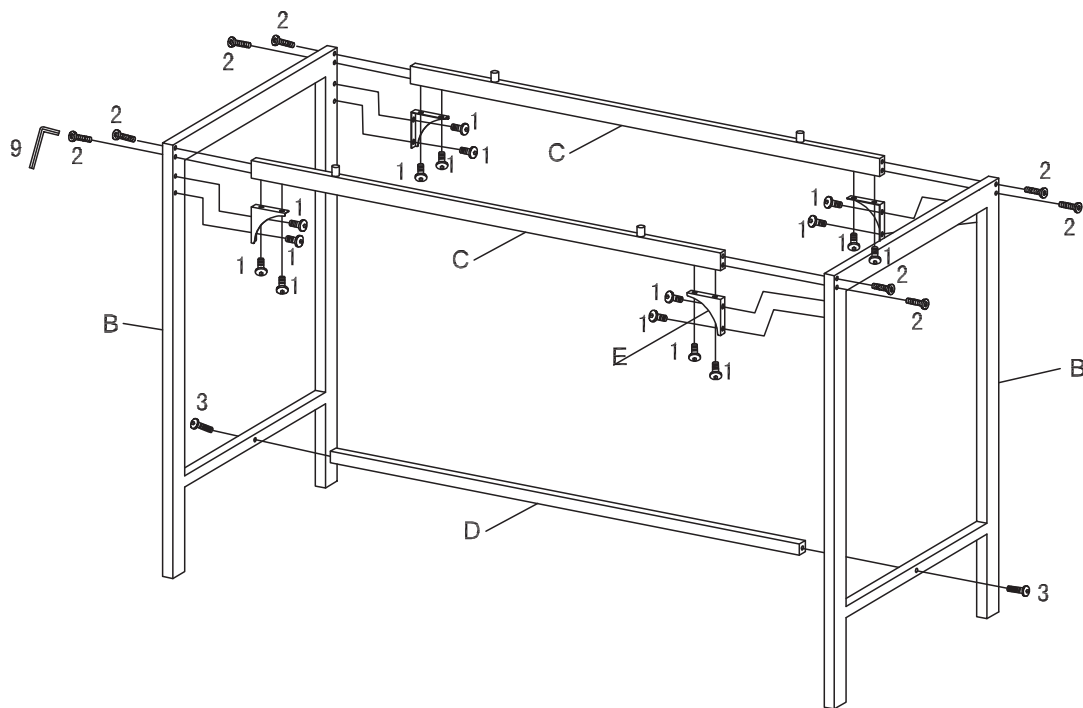
	DESCRIPTION	FIGURE	Q'TY
1	Bolt (M6x8MM)		16PCS
2	Bolt (M6x40MM)		8 PCS
3	Bolt (M6x50MM)		2 PCS
4	Bolt (M6x80MM)		4 PCS
5	Flat Gasket Ø16*Ø6.5*T2.0		4 PCS
6	Bolt (M6x12MM)		8X4 PCS
7	Bolt (M6x35MM)		4X4 PCS
8	Bolt (M6x45MM)		4X4PCS
9	Allen Wrench (M4)		1PC

**NOTE:**  
QUANTITIES SHOWN ARE FOR ONE TABLE WITH FOUR CHAIRS

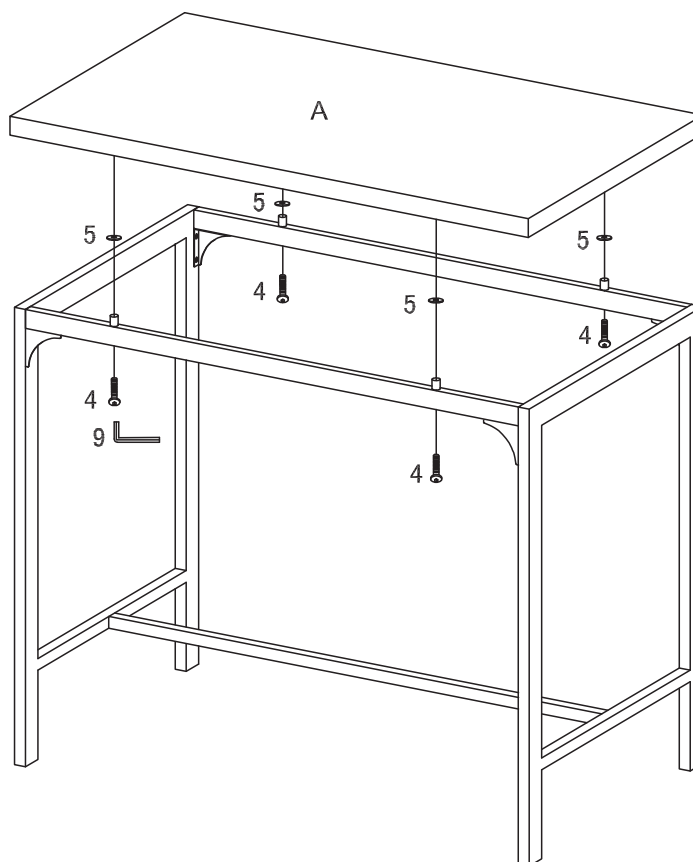
ITEM: 182002

ASSEMBLY INSTRUCTIONS

STEP 1



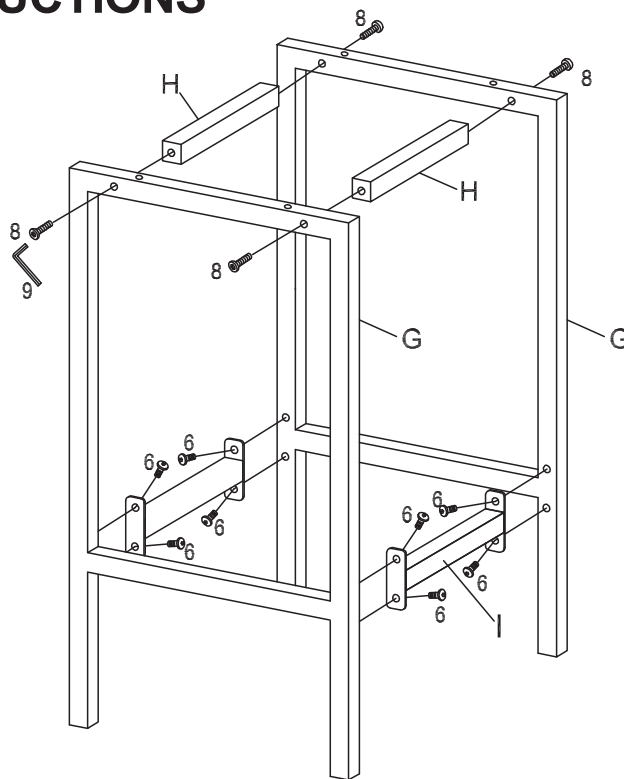
STEP 2



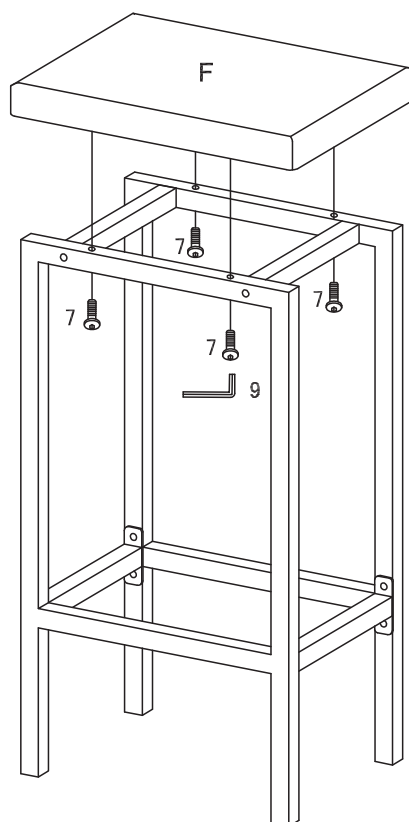
ITEM: 182002

ASSEMBLY INSTRUCTIONS

STEP 1

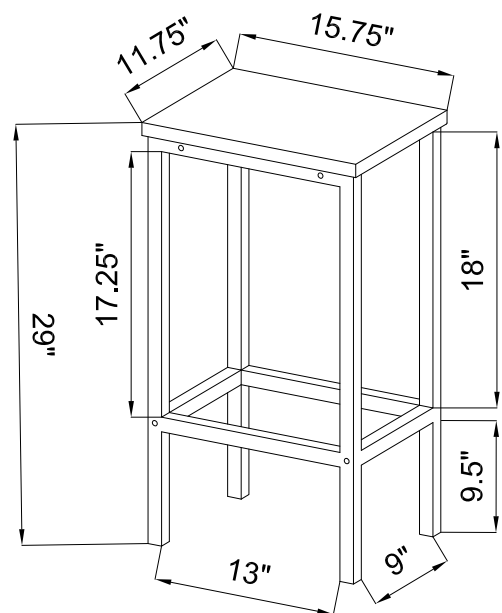
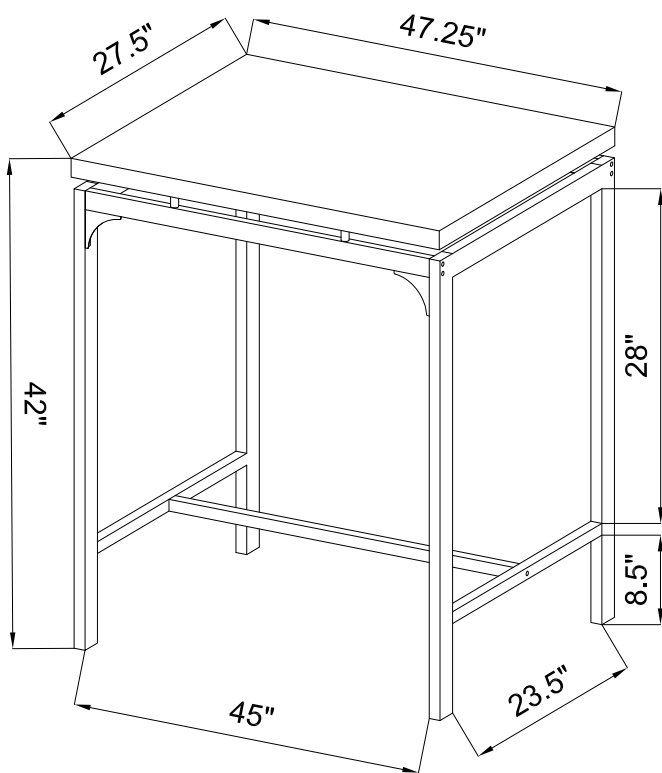


STEP 2



ITEM: 182002

**COASTER**  
FINE FURNITURE



Note: Dimension tolerance  $\pm 5\%$