

*ASSEMBLY INSTRUCTIONS*  
*COASTER FINE FURNITURE*



*Fine Furniture for every stage of life*

**723077**  
**END TABLE**

REVISION 0 : 06/17/2019  
REVISION 1 : 11/22/2022

ITEM: 723077



# ASSEMBLY INSTRUCTIONS

## ASSEMBLY TIPS:

1. Remove hardware from box and sort by size.
2. Please check to see that all hardware and parts are present prior to start of assembly.
3. Please follow attached instructions in the same sequence as numbered to assure fast & easy assembly.

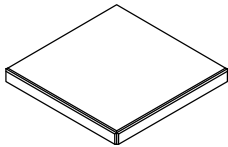
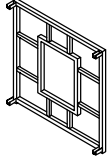
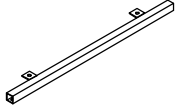
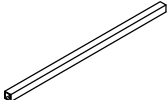


### WARNING!




1. Don't attempt to repair or modify parts that are broken or defective. Please contact the store immediately.
2. This product is for home use only and not intended for commercial establishments.

ASSEMBLY TIME 35 MINUTES

## PARTS IDENTIFICATION

A	TOP		1PC
B	SIDE FRAME		2PCS
C	TOP CROSSBAR		2PCS
D	BOTTOM CROSSBAR		2PCS

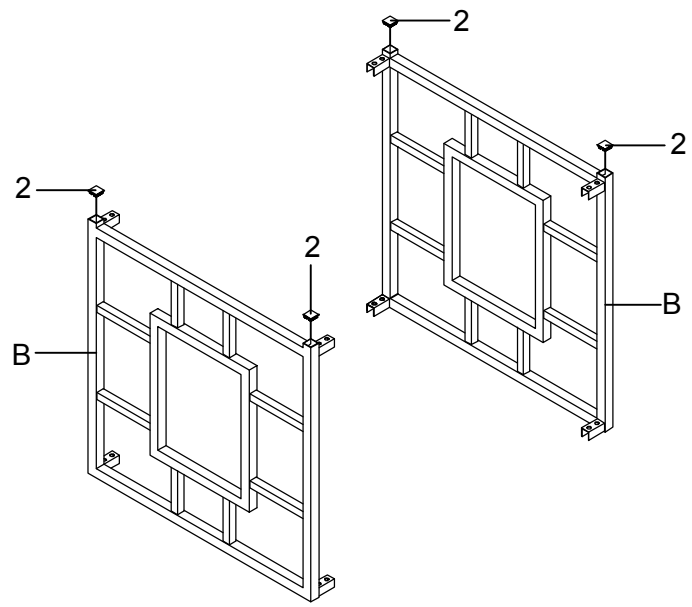
## HARDWARE IDENTIFICATION

1	BOLT (1/4" x 15mm SR)		20PCS	3	ALLEN WRENCH (4mm)		1PC
2	SUCTION CUP (20 x 20mm BLK)		4PCS				

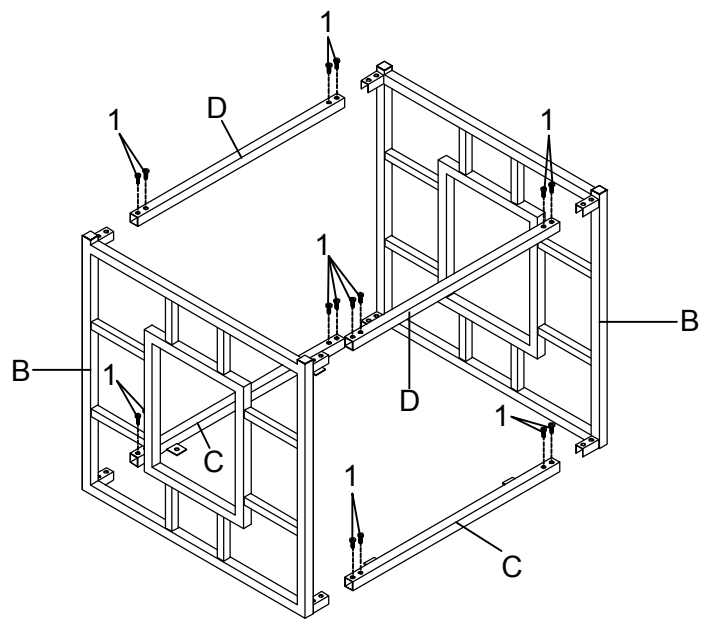
# ITEM: 723077 ASSEMBLY INSTRUCTIONS



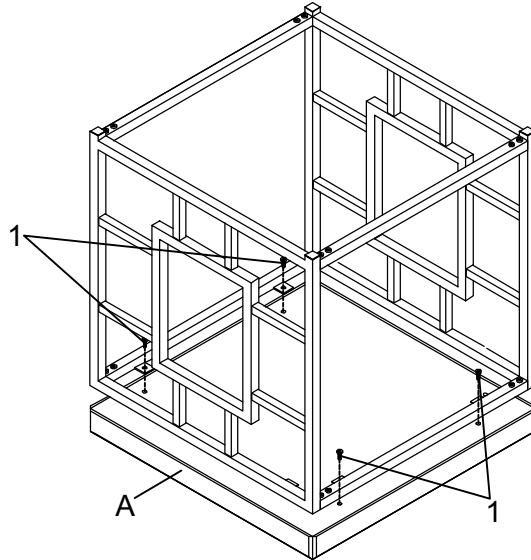
**STEP 1** Do not tighten until each step is completed or instructed.



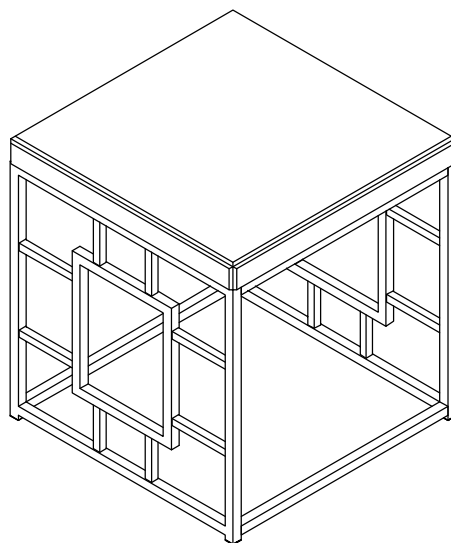
## STEP 2



ITEM: 723077  
ASSEMBLY INSTRUCTIONS  
STEP 3



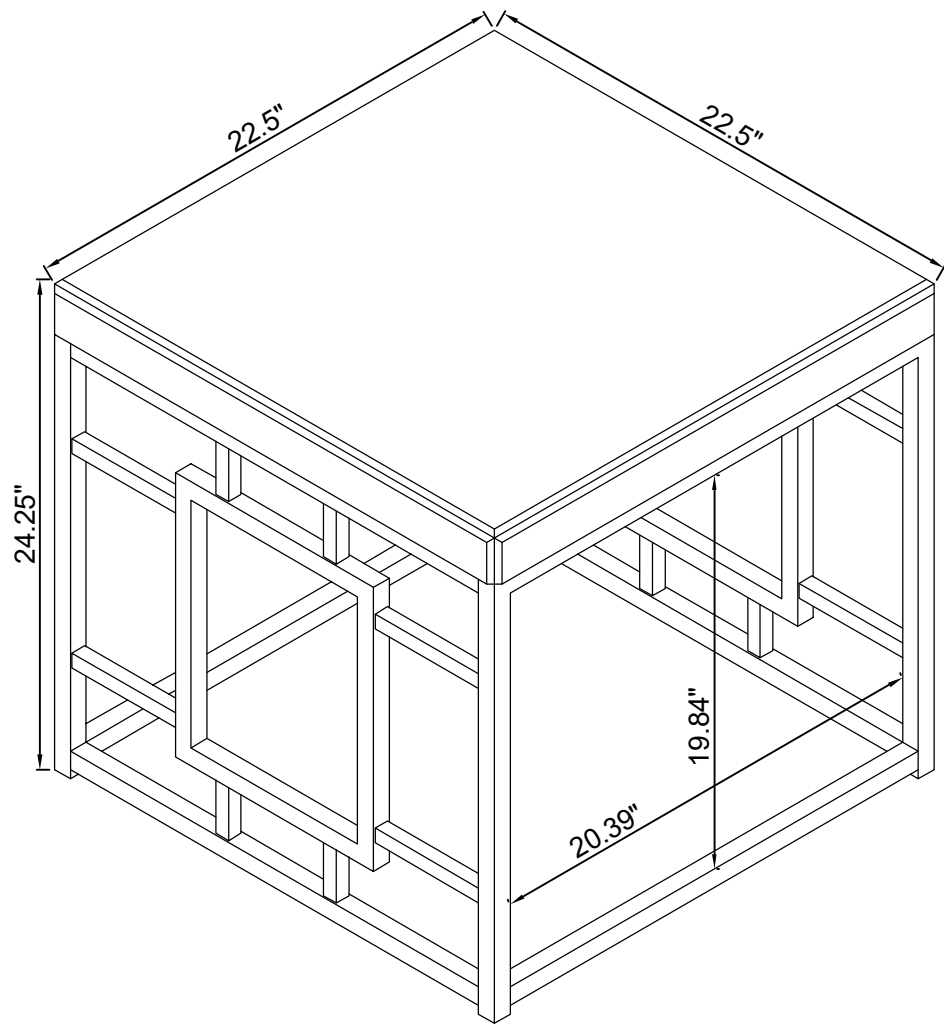
STEP 4  
COMPLETE



ITEM:723077  
ASSEMBLY INSTRUCTIONS



<b>Product Size : 572 X 572 X 616 H (MM)</b>
<b>Product Size : 22 ½" X 22 ½" X 24 ¼"</b>



Note : Dimension tolerance ±5%