

ASSEMBLY INSTRUCTIONS
COASTER FINE FURNITURE



Fine Furniture for every stage of life

723078
COFFEE TABLE

REVISION 0 : 06/17/2019
REVISION 1 : 11/22/2022

ITEM: 723078



ASSEMBLY INSTRUCTIONS

ASSEMBLY TIPS:

1. Remove hardware from box and sort by size.
2. Please check to see that all hardware and parts are present prior to start of assembly.
3. Please follow attached instructions in the same sequence as numbered to assure fast & easy assembly.

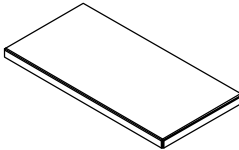
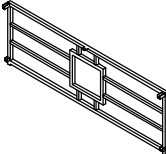
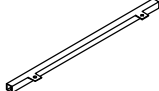
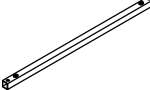



WARNING!




1. Don't attempt to repair or modify parts that are broken or defective. Please contact the store immediately.
2. This product is for home use only and not intended for commercial establishments.

ASSEMBLY TIME 35 MINUTES

PARTS IDENTIFICATION

A	TOP		1PC
B	SIDE FRAME		2PCS
C	TOP CROSSBAR		2PCS
D	BOTTOM CROSSBAR		2PCS
E	WHEEL		4PCS

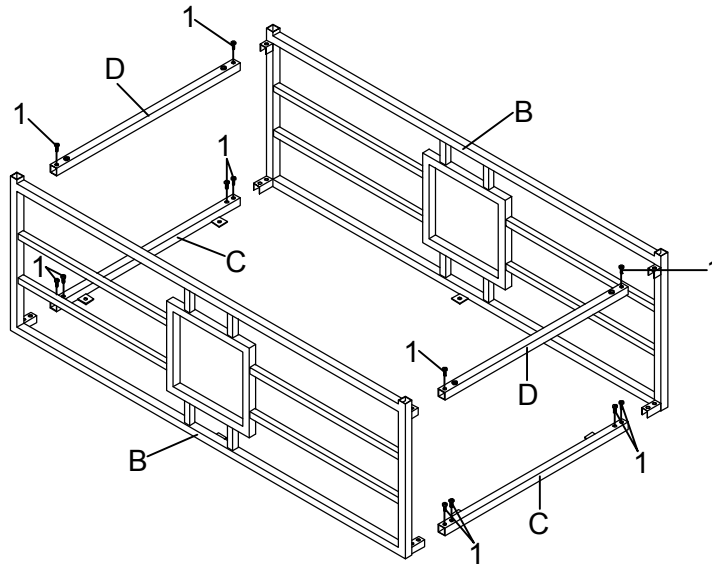
HARDWARE IDENTIFICATION

1	BOLT (1/4" x 15mm SR)		18PCS	3	ALLEN WRENCH (4mm)		1PC
2	SUCTION CUP (20 x 20mm BLK)		4PCS				

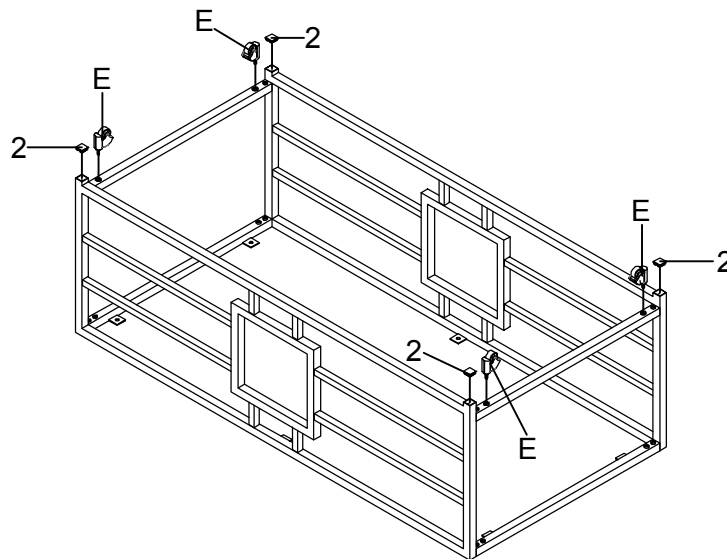
ITEM: 723078 ASSEMBLY INSTRUCTIONS



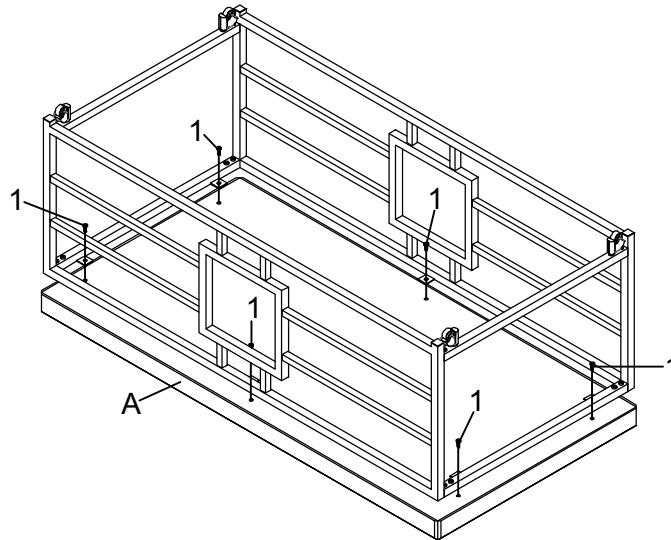
STEP 1 Do not tighten until each step is completed or instructed.



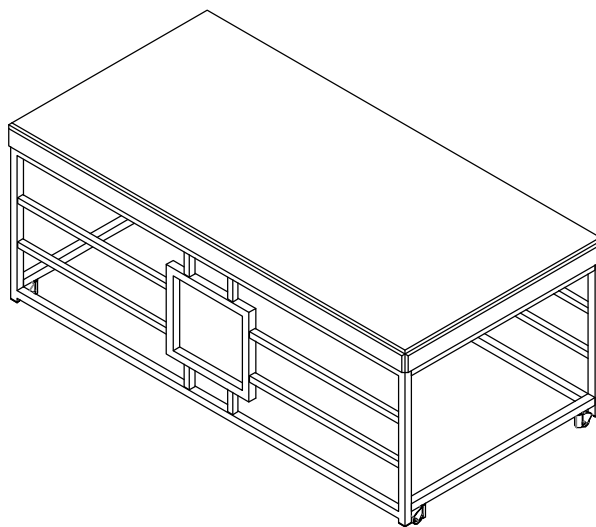
STEP 2



ITEM: 723078
ASSEMBLY INSTRUCTIONS
STEP 3



STEP 4
COMPLETE

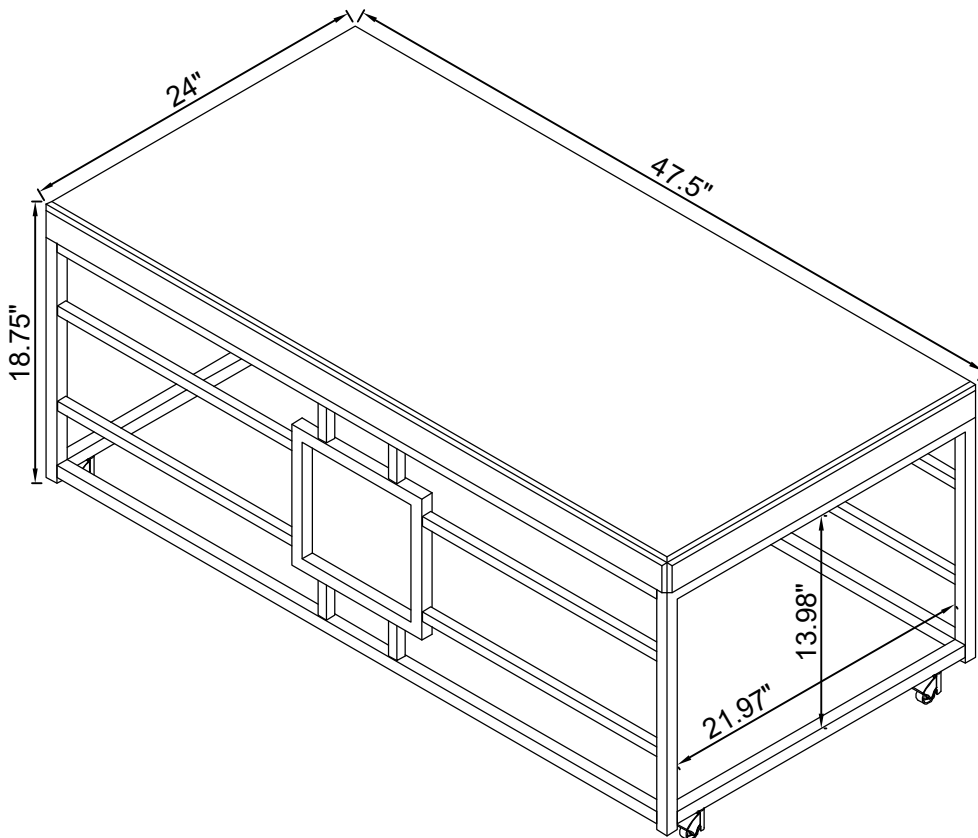


ITEM:723078 ASSEMBLY INSTRUCTIONS



Product Size : 1207 X 610 X 476 H (MM)

Product Size : 47 1/2" X 24" X 18 3/4"



Note : Dimension tolerance $\pm 5\%$