

ASSEMBLY INSTRUCTIONS
COASTER FINE FURNITURE



Fine Furniture for every stage of life

107042
Dining Side Chair

ITEM:107042

ASSEMBLY INSTRUCTIONS

ASSEMBLY TIPS:

1. Remove hardware from box and sort by size.
2. Please check to see that all hardware and parts are present prior to start of assembly.
3. Please follow attached instructions in the same sequence as numbered to assure fast & easy assembly.



WARNING!

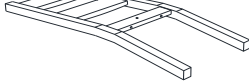
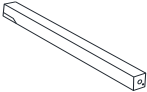
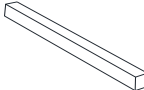

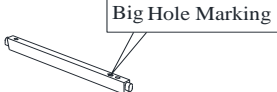

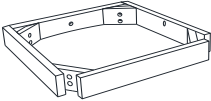
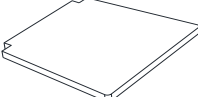
1. Don't attempt to repair or modify parts that are broken or defective. Please contact the store immediately.
2. This product is for home use only and not intended for commercial establishments.



ASSEMBLY TIME

8 MINUTES

PARTS IDENTIFICATION

A	BACK FRAME		1PC
B	RIGHT FRONT LEG (BIG & SMALL HOLE AT THE BOTTOM OF LEG)		1PC
C	LEFT FRONT LEG		1PC
D	RIGHT SIDE STRETCHER (SMALL HOLE MARKING)		1PC
E	LEFT SIDE STRETCHER (BIG HOLE MARKING)		1PC
F	MIDDLE STRETCHER		1PC
G	SEAT FRAME		1PC
H	WOODEN SEAT		1PC

NOTE:

Quantities shown are for one chair.

Phillips head screw driver is required in the assembly process; however, manufacturer does not provide this item.

ASSEMBLY INSTRUCTIONS

ASSEMBLY TIPS:



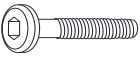





1. Remove hardware from box and sort by size.
2. Please check to see that all hardware and parts are present prior to start of assembly.
3. Please follow attached instructions in the same sequence as numbered to assure fast & easy assembly.



WARNING!

1. Don't attempt to repair or modify parts that are broken or defective. Please contact the store immediately.
2. This product is for home use only and not intended for commercial establishments.

HARDWARE IDENTIFICATION

1	SHORT FLAT HEAD SCREW (M4 x 32mm - RBW)		6PCS
2	LONG FLAT HEAD SCREW (M4 x 35mm - RBW)		6PCS
3	SHORT BOLT (M6 x 35mm - BLK)		1PC
4	MEDIUM BOLT (M6 x 60mm - BLK)		2PCS
5	LONG BOLT (M6 x 70mm - BLK)		4PCS
6	LOCK WASHER (1/4" - BLK)		7PCS
7	FLAT WASHER (1/4" - BLK)		7PCS
8	ALLEN WRENCH (M4 x 110MM)		1PC

NOTE:

Quantities shown are for one chair.

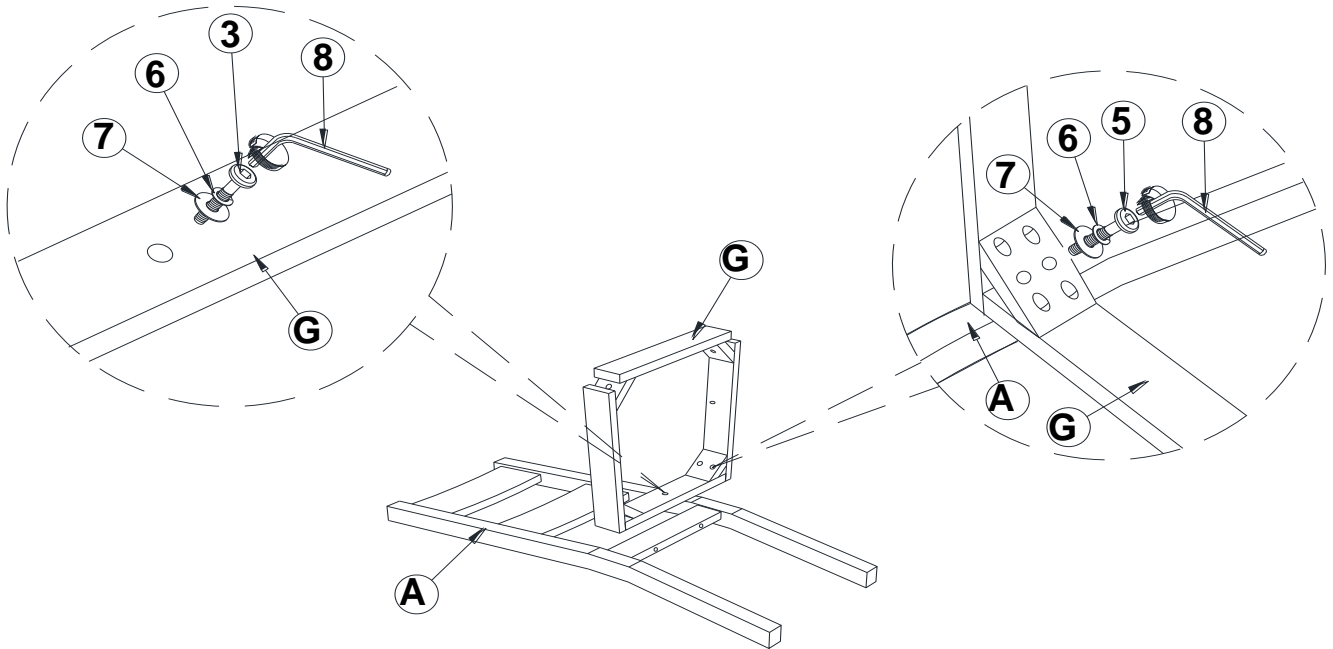
Phillips head screw driver is required in the assembly process; however, manufacturer does not provide this item.

ITEM: 107042

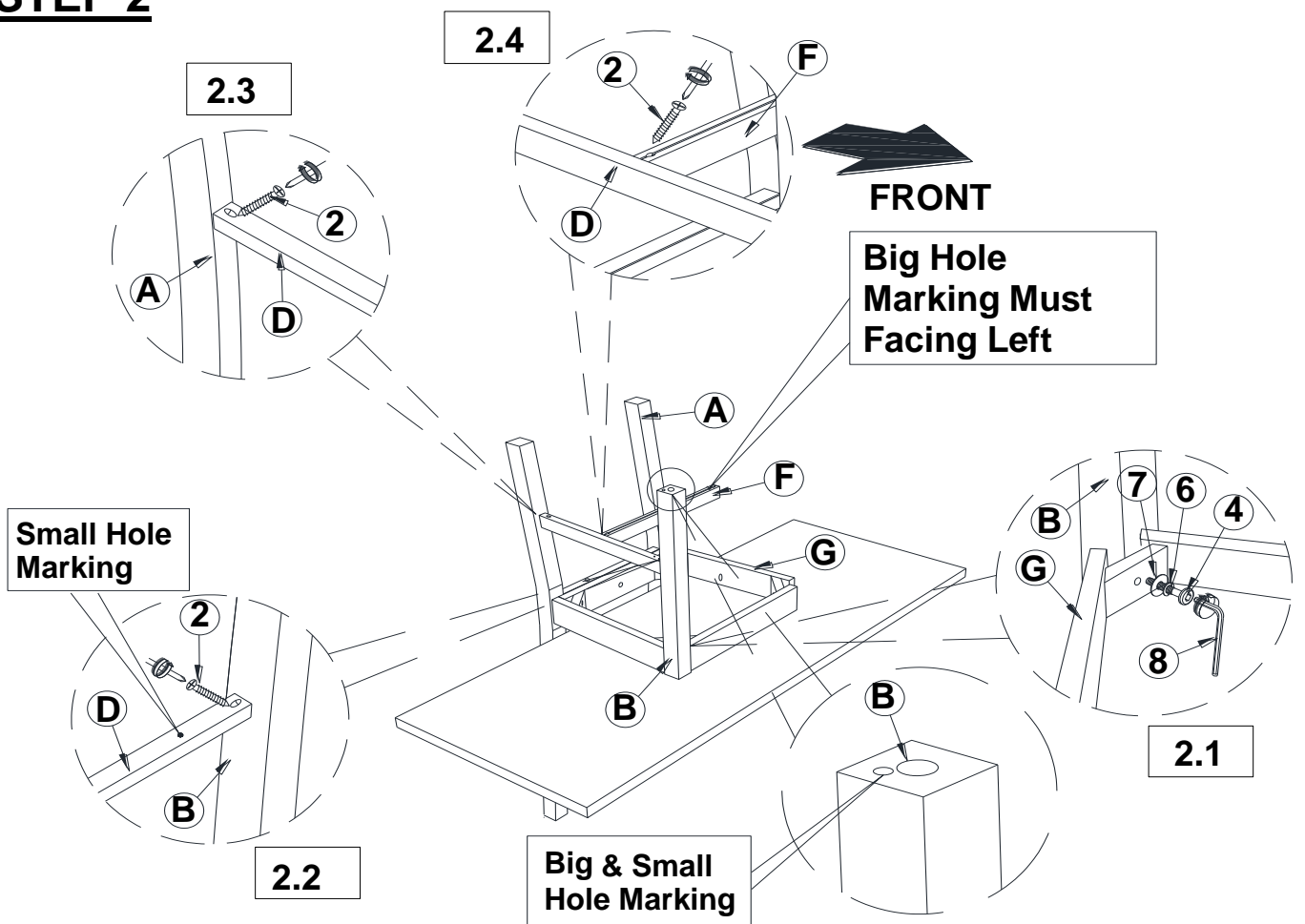


ASSEMBLY INSTRUCTIONS

STEP 1

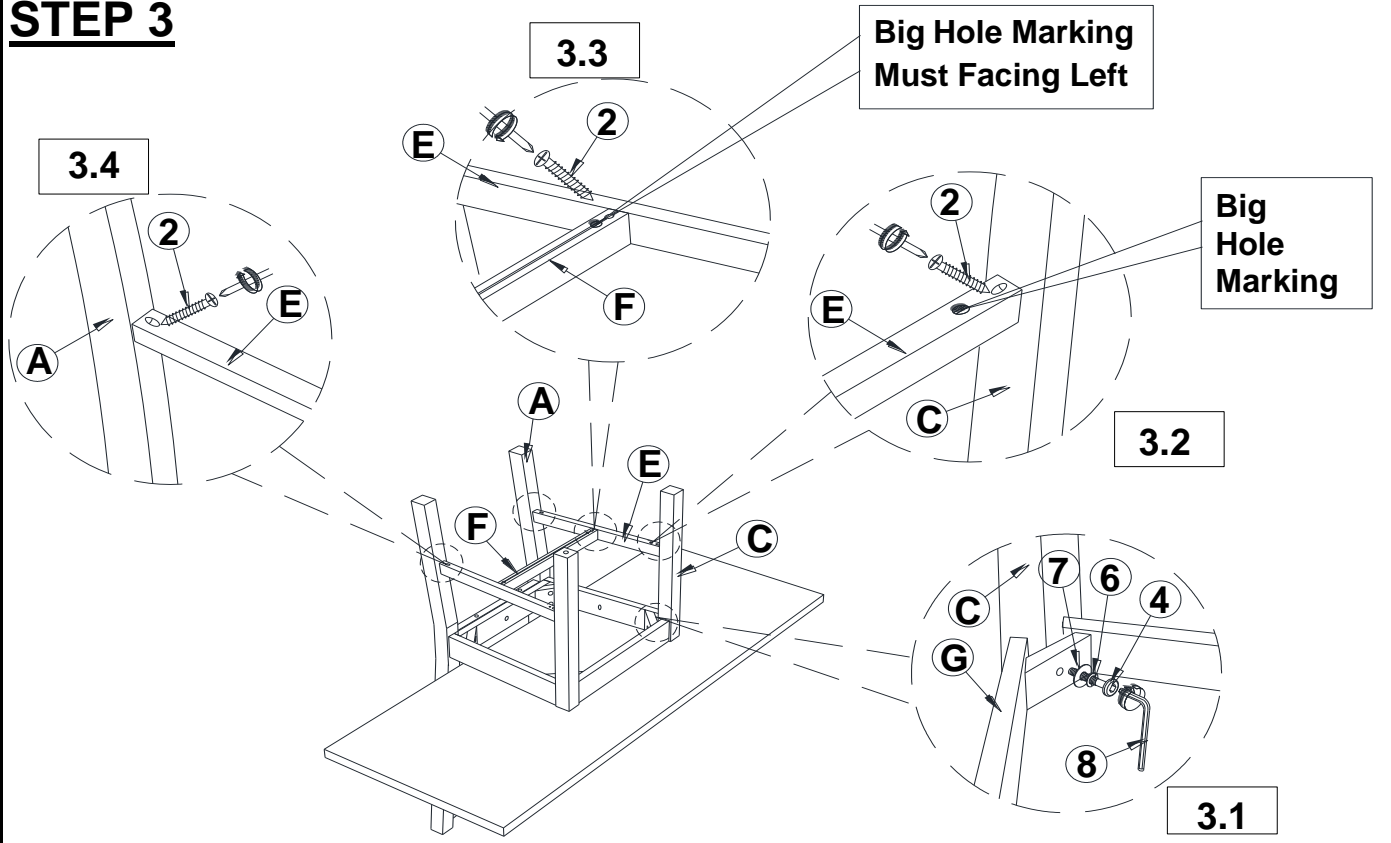


STEP 2

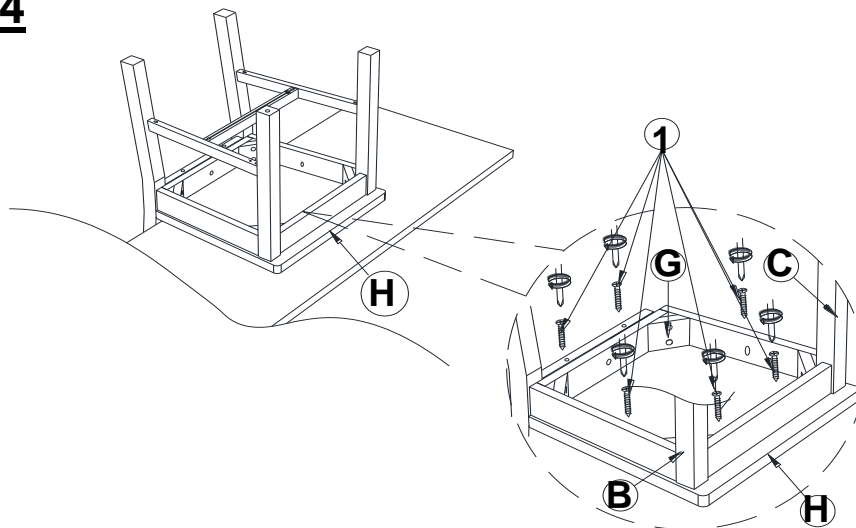


ASSEMBLY INSTRUCTIONS

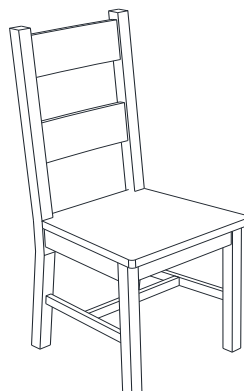
STEP 3



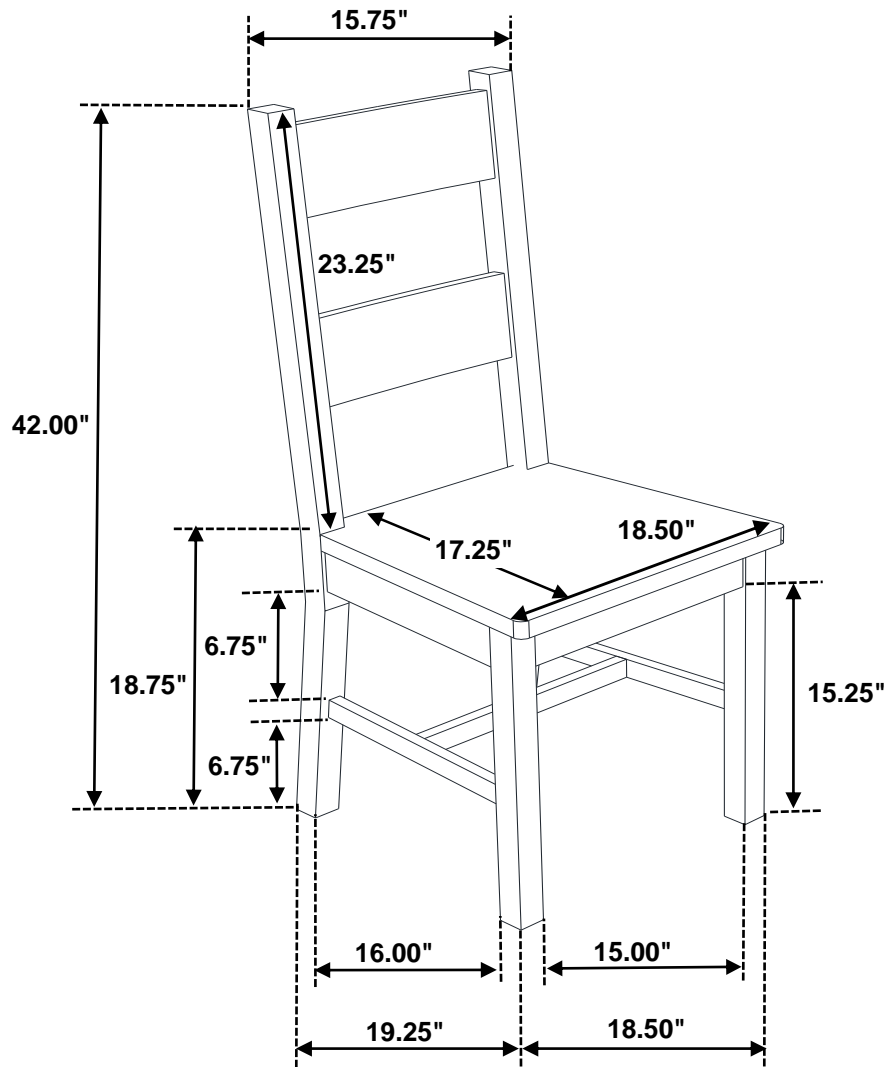
STEP 4



STEP 5
COMPLETE



ITEM: 107042



Note : Dimension tolerance $\pm 5\%$