

ASSEMBLY INSTRUCTIONS
COASTER FINE FURNITURE



Fine Furniture for every stage of life

205897(B1&B2)
Vanity Mirror & Desk

ITEM: 205897(B1 & B2)



ASSEMBLY INSTRUCTIONS

ASSEMBLY TIPS:

1. Remove hardware from box and sort by size.
2. Please check to see that all hardware and parts are present prior to start of assembly.
3. Please follow attached instructions in the same sequence as numbered to assure fast & easy assembly.



WARNING!

1. Don't attempt to repair or modify parts that are broken or defective. Please contact the store immediately.
2. This product is for home use only and not intended for commercial establishments.



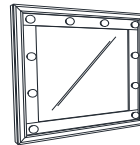
ASSEMBLY TIME

10 MINUTES

PARTS IDENTIFICATION

B1 (BOX 1)

A MIRROR



1PC

B MIRROR SUPPORT



2PCS

C ADAPTOR



1PC

B2 (BOX 2)

D VANITY DESK



1PC

E BUN LEG



8PCS

HARDWARE IDENTIFICATION

Z-B1(BOX 1) - HARDWARE PACK IS LOCATED IN 205897(B1)

1 FLAT HEAD SCREW
(M4 x 32mm - RBW)



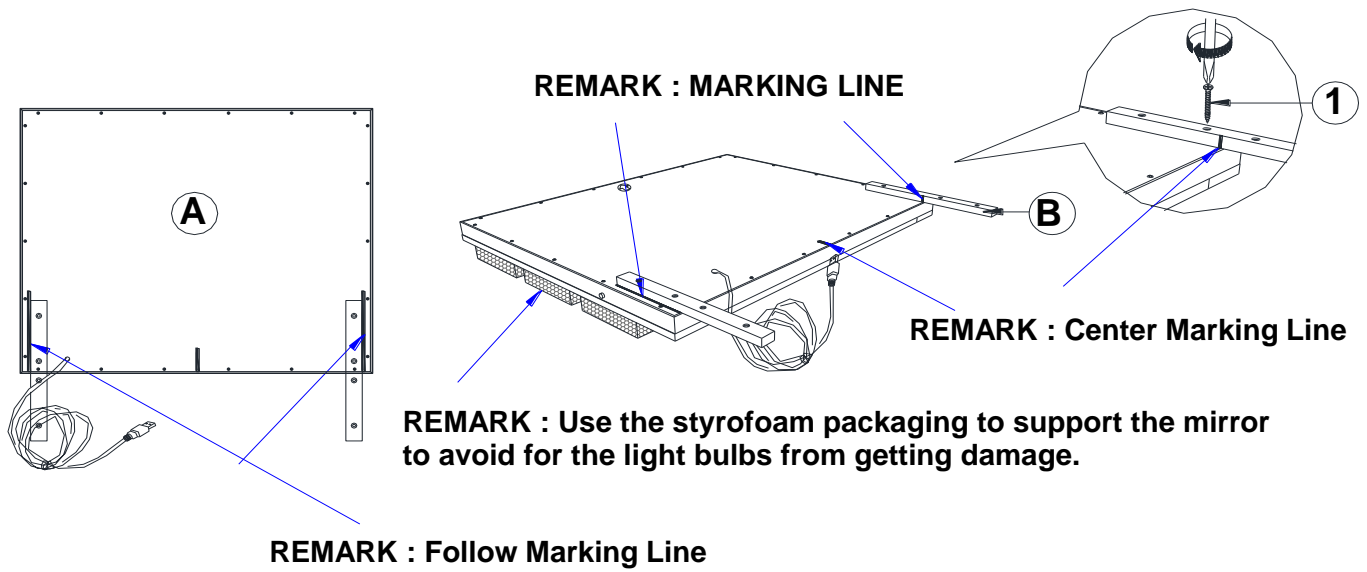
8PCS

ITEM: **205897(B1&B2)**

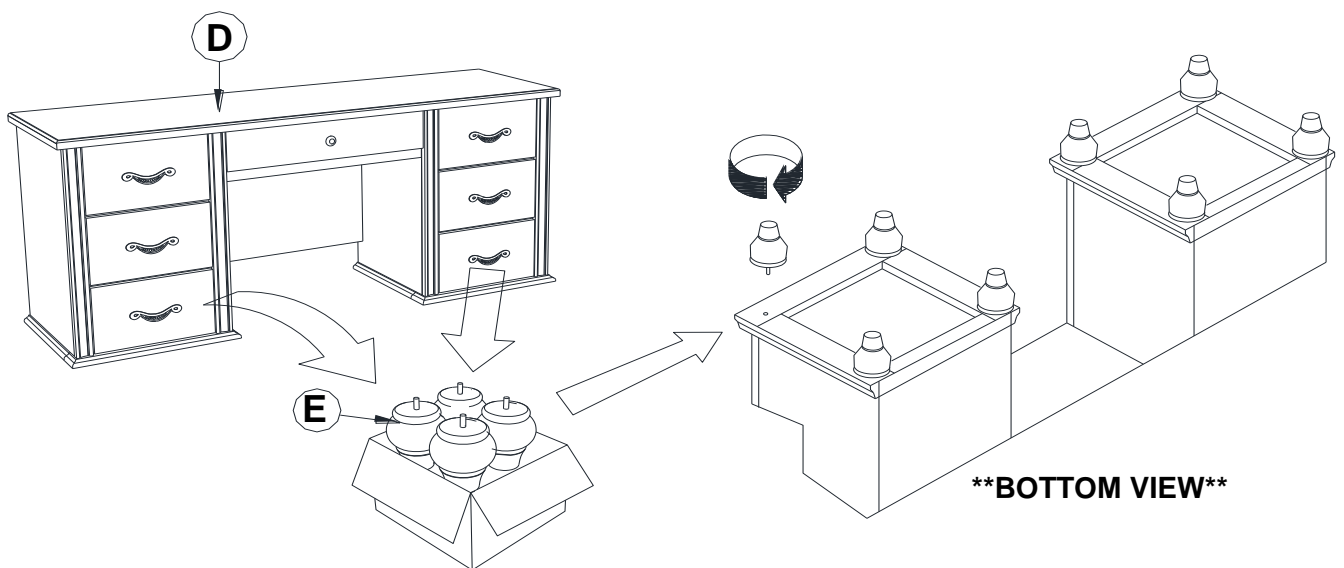


ASSEMBLY INSTRUCTIONS

STEP 1



STEP 2

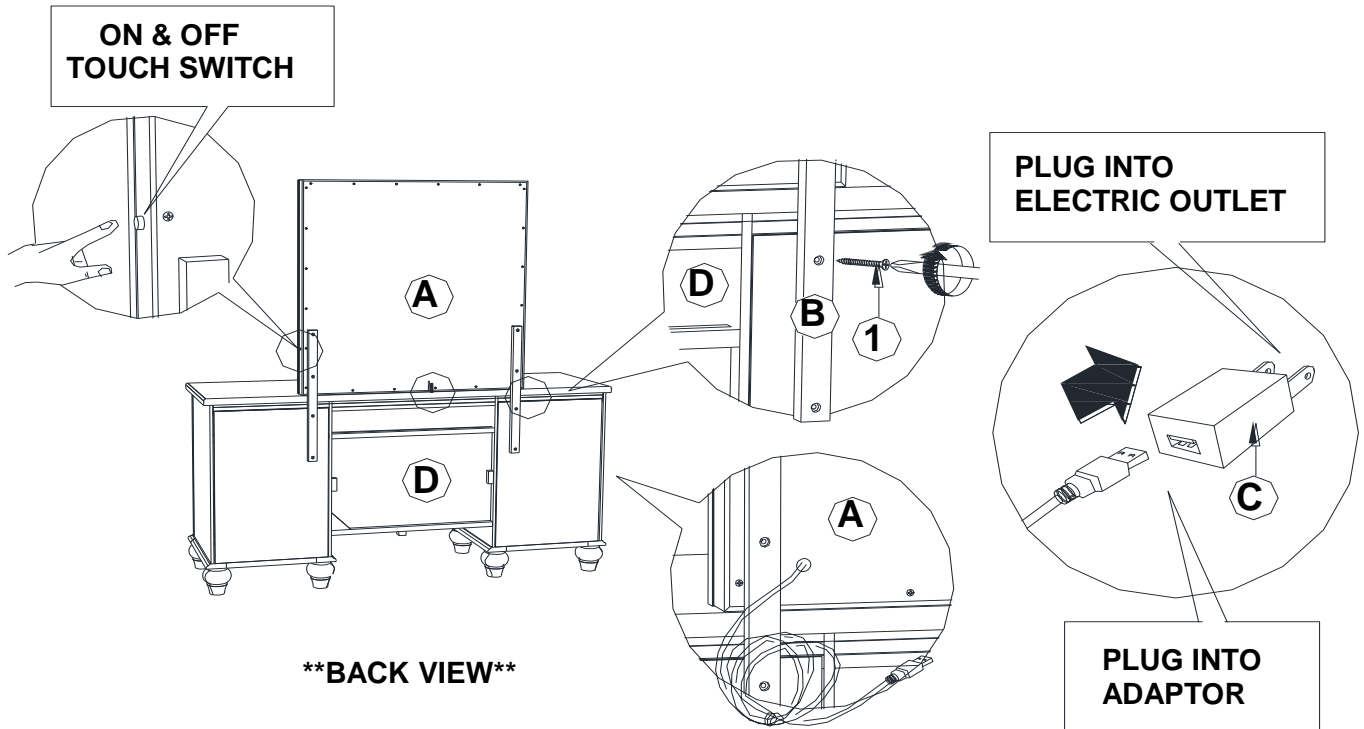


ITEM: **205897(B1&B2)**

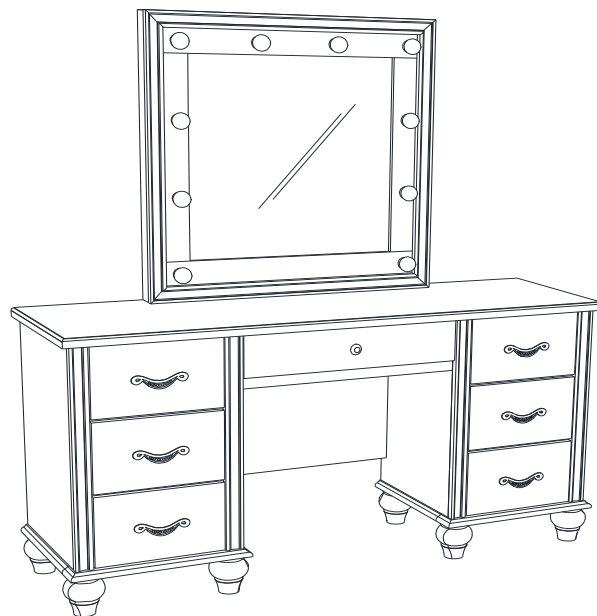


ASSEMBLY INSTRUCTIONS

STEP 3



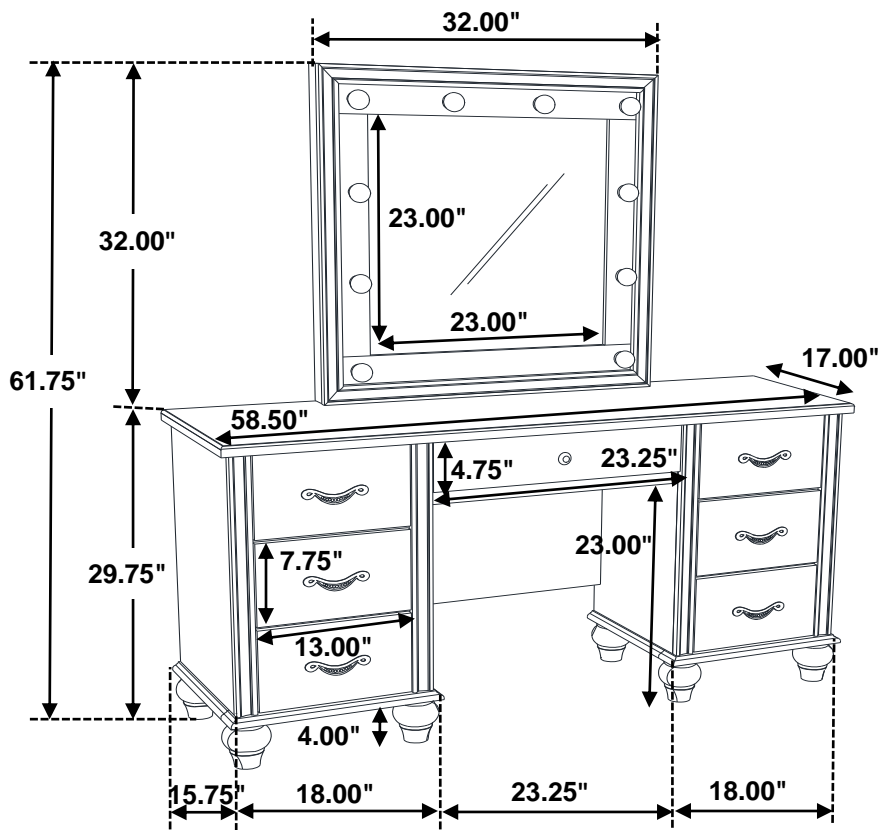
STEP 4
COMPLETE



ITEM: 205897(B1&B2)



Inner Size of Drawer (Center) : 20.75"W X 12.50"D X 2.25"H X 0.25"T
Inner Size of Drawer (Others) : 12.50"W X 11.00"D X 4.00"H X 0.25"T



Note : Dimension tolerance \pm 5%