

ASSEMBLY INSTRUCTIONS
COASTER FINE FURNITURE



Fine Furniture for every stage of life

300554(B1 & B2)
Daybed

ITEM: 300554(B1&B2)



ASSEMBLY INSTRUCTIONS

ASSEMBLY TIPS:

1. Remove hardware from box and sort by size.
2. Please check to see that all hardware and parts are present prior to start of assembly.
3. Please follow attached instructions in the same sequence as numbered to assure fast & easy assembly.

WARNING!



1. Don't attempt to repair or modify parts that are broken or defective. Please contact the store immediately.
2. This product is for home use only and not intended for commercial establishments.



ASSEMBLY TIME

30 MINUTES

PARTS IDENTIFICATION

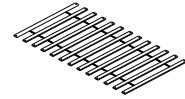
B1 (BOX 1)

A LEFT SIDE PANEL



1PC

C ROLL SLAT (13 PCS)



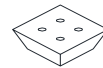
2 SETS

B RIGHT SIDE PANEL



1PC

D LEG



4PCS

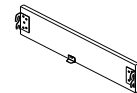
B2 (BOX 2)

E TRUNDLE FRONT
PANEL WITH CASTER



1PC

I TRUNDLE SIDE
PANEL



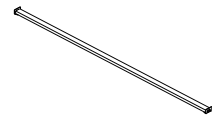
2PCS

F TRUNDLE BACK
PANEL WITH CASTER



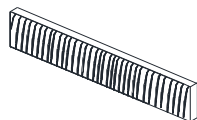
1PC

J CENTER RAIL



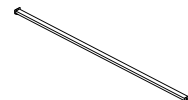
1PC

G BACK PANEL



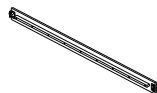
1PC

K TRUNDLE CENTER
RAIL



1PC

H BED RAIL



2PCS

NOTE:

Phillips head screw driver is required in the assembly process; however, manufacturer does not provide this item.

ITEM: 300554(B1&B2)



ASSEMBLY INSTRUCTIONS

ASSEMBLY TIPS:

1. Remove hardware from box and sort by size.
2. Please check to see that all hardware and parts are present prior to start of assembly.
3. Please follow attached instructions in the same sequence as numbered to assure fast & easy assembly.






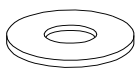

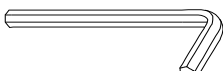
WARNING!



1. Don't attempt to repair or modify parts that are broken or defective. Please contact the store immediately.
2. This product is for home use only and not intended for commercial establishments.

HARDWARE IDENTIFICATION

Z-B1(BOX 1) - HARDWARE PACK IS LOCATED IN 300554(B1)

1	LONG FLAT HEAD SCREW (#8 x 2"-RBW)		16PCS
2	SHORT BOLT (5/16" x 3/4" - RBW)		8PCS
3	MEDIUM BOLT (5/16" x 1-1/2" - RBW)		8PCS
4	LONG BOLT (5/16" x 2-1/2" - RBW)		4PCS
5	LOCK WASHER (5/16" - RBW)		20PCS
6	FLAT WASHER (5/16" x 22mm-RBW)		20PCS
7	SHORT FLAT HEAD SCREW (#8 x 1-1/4" - RBW)		78PCS
8	ALLEN WRENCH (M5 - RBW)		1PC

NOTE:

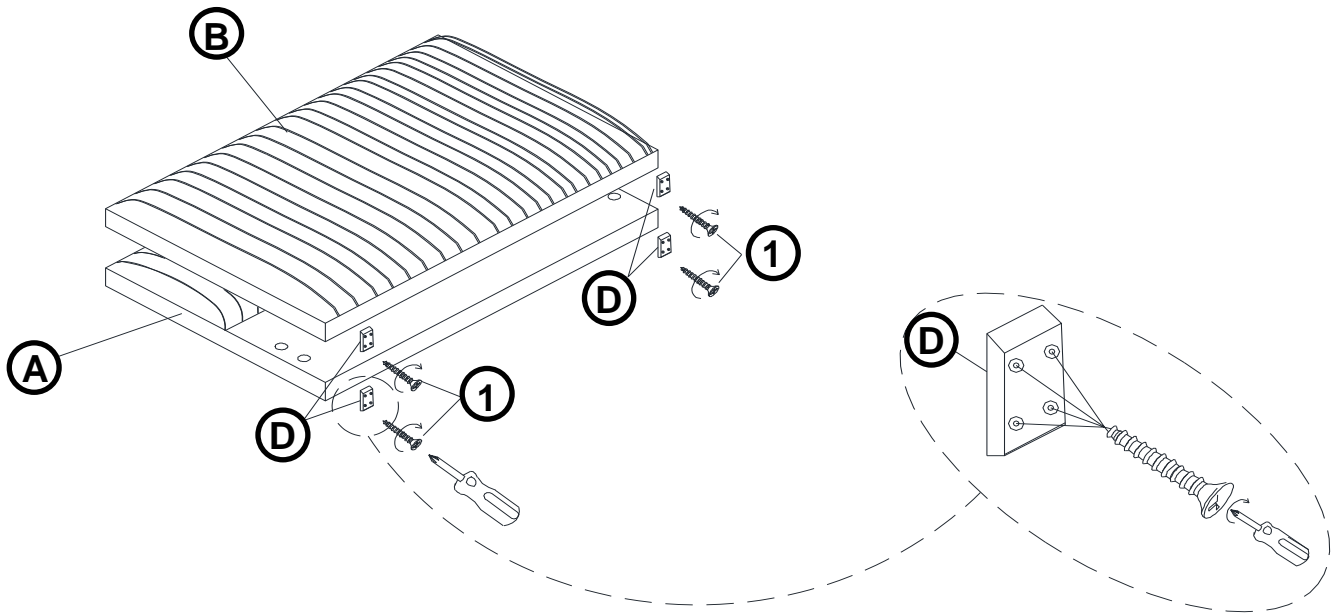
Phillips head screw driver is required in the assembly process; however, manufacturer does not provide this item.

ITEM: **300554(B1&B2)**

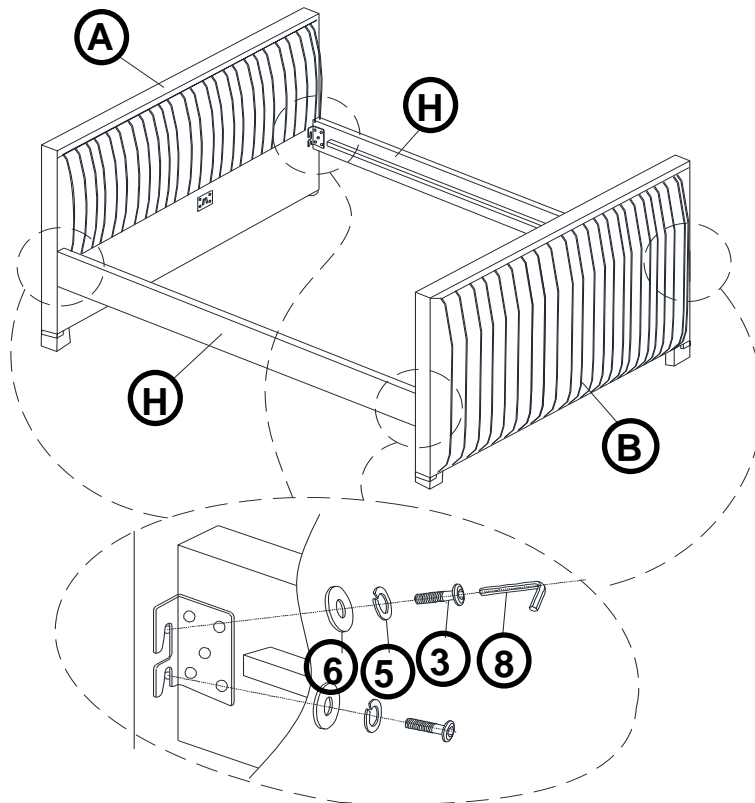


ASSEMBLY INSTRUCTIONS

STEP 1



STEP 2

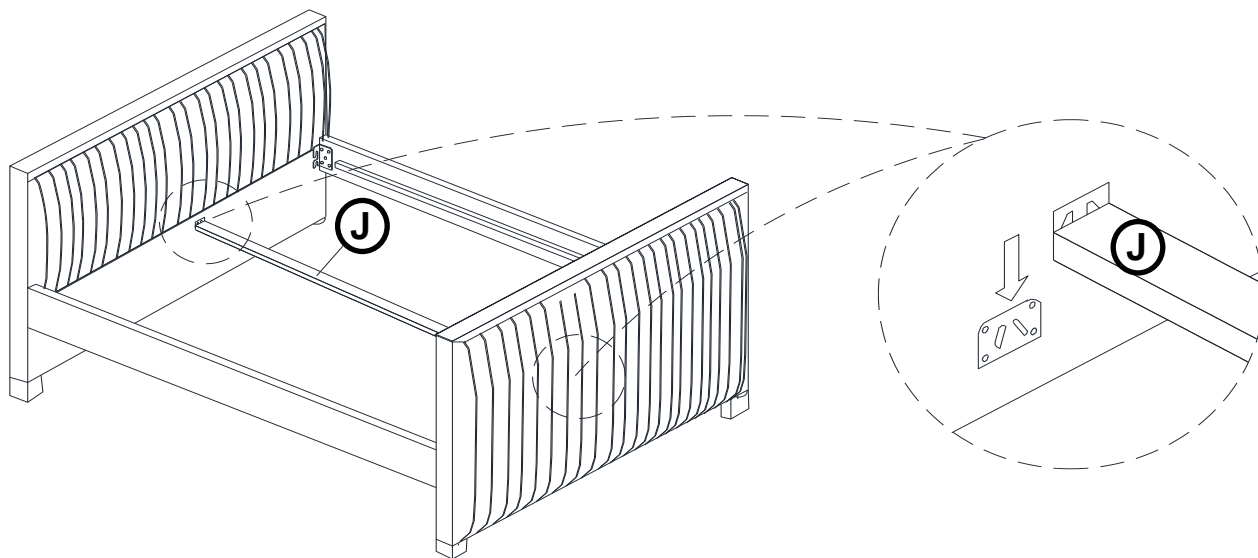


ITEM: **300554(B1&B2)**

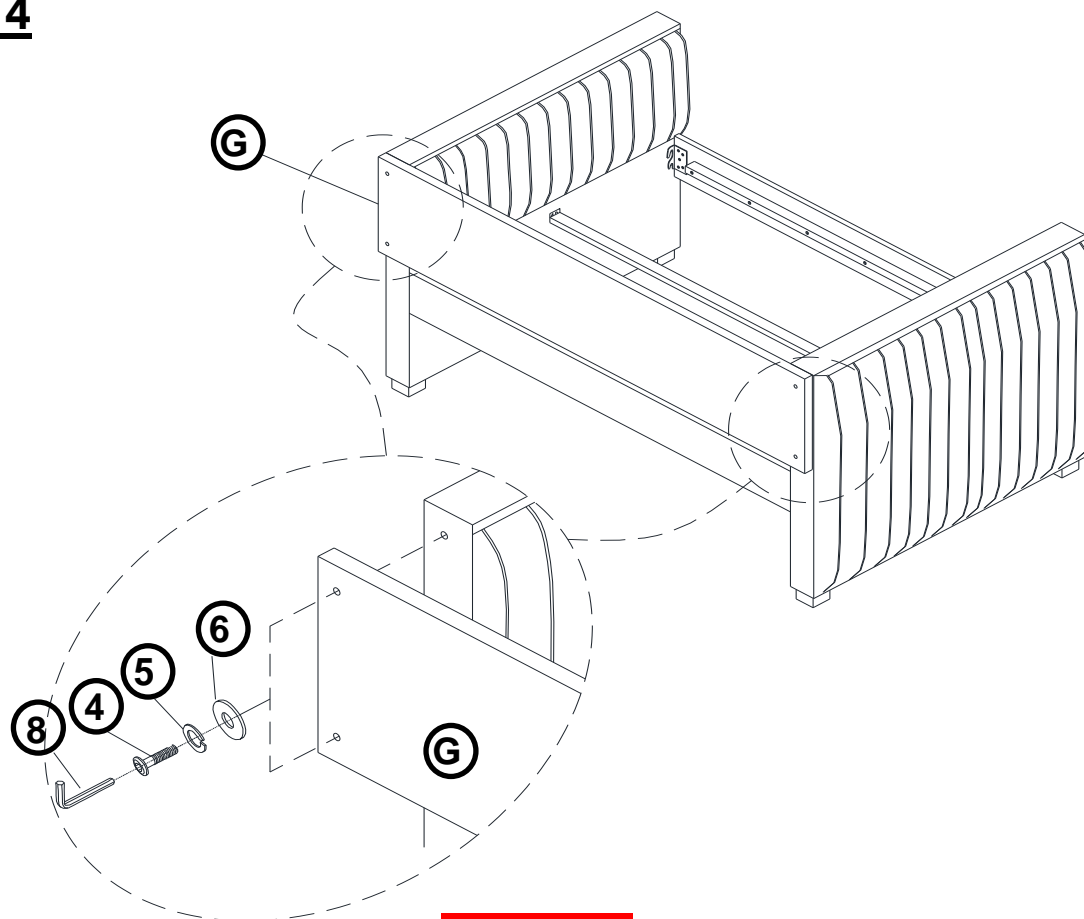


ASSEMBLY INSTRUCTIONS

STEP 3



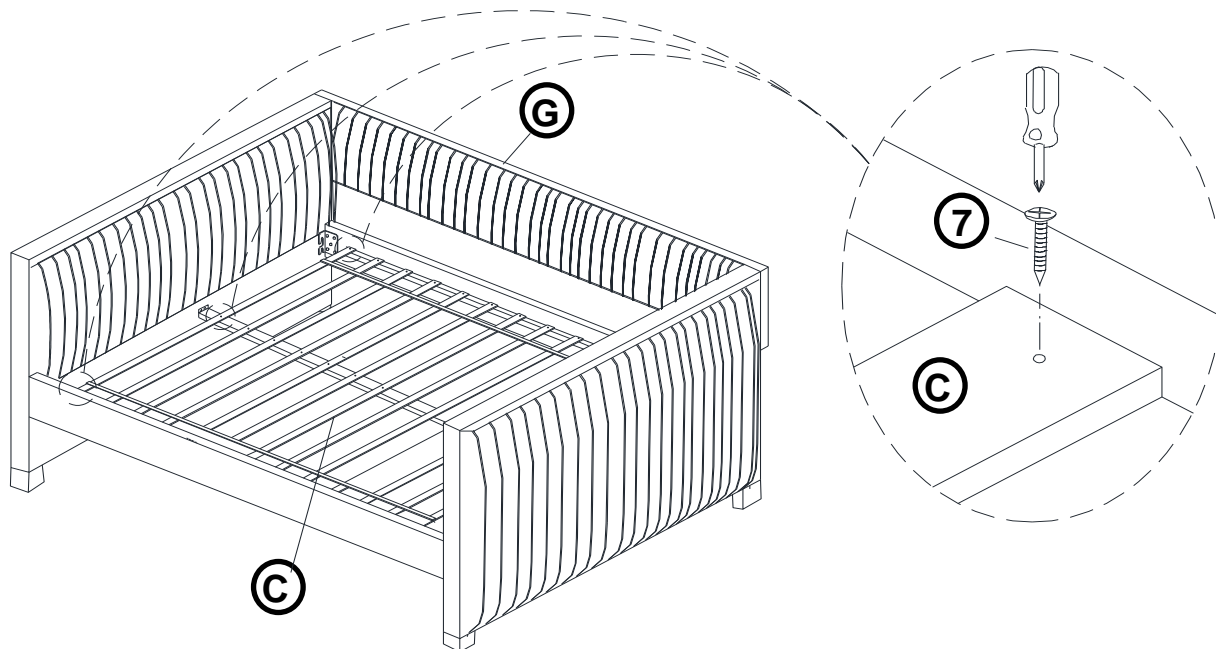
STEP 4



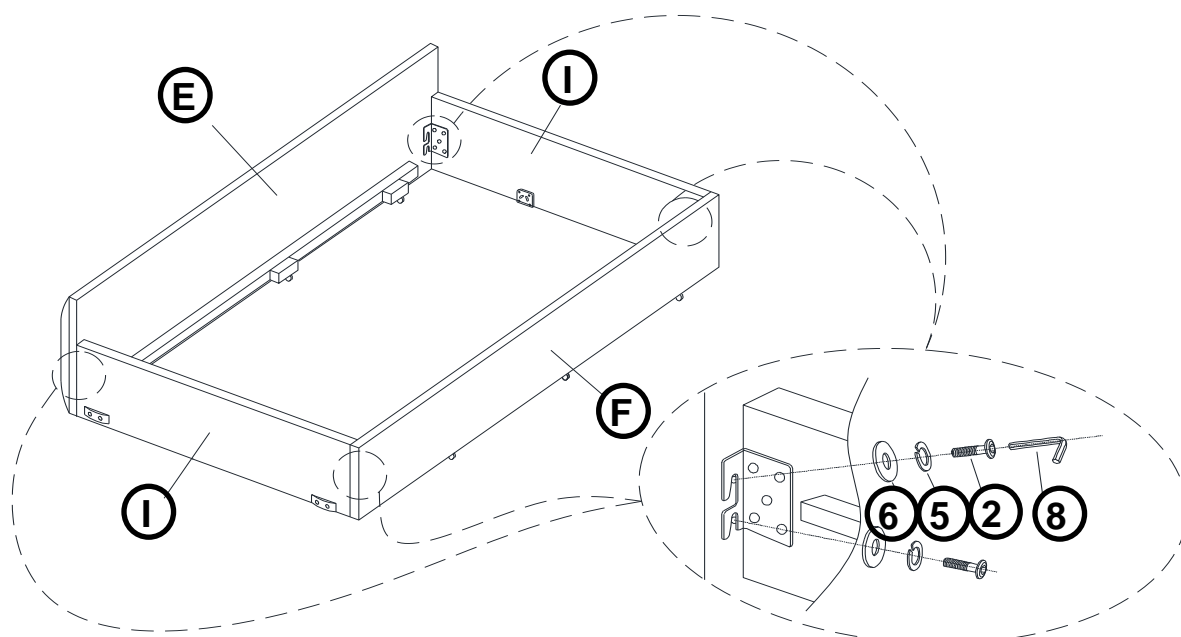
ITEM: **300554(B1&B2)**

ASSEMBLY INSTRUCTIONS

STEP 5



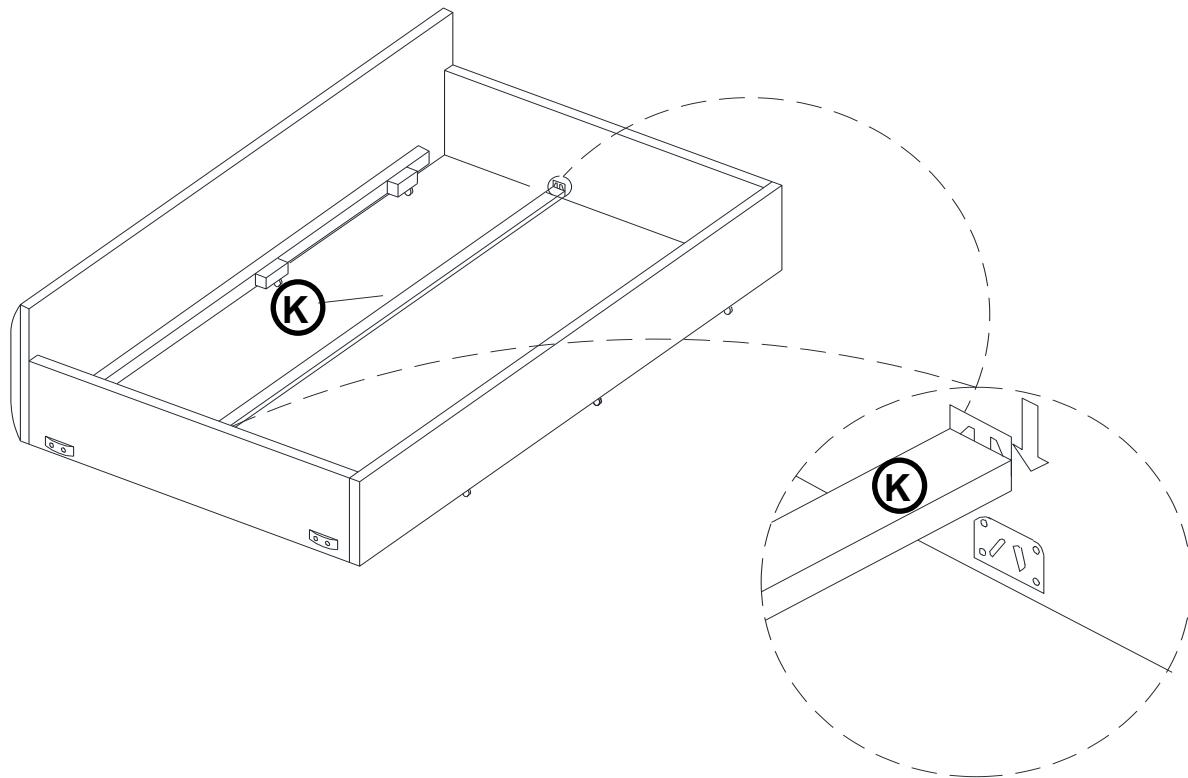
STEP 6



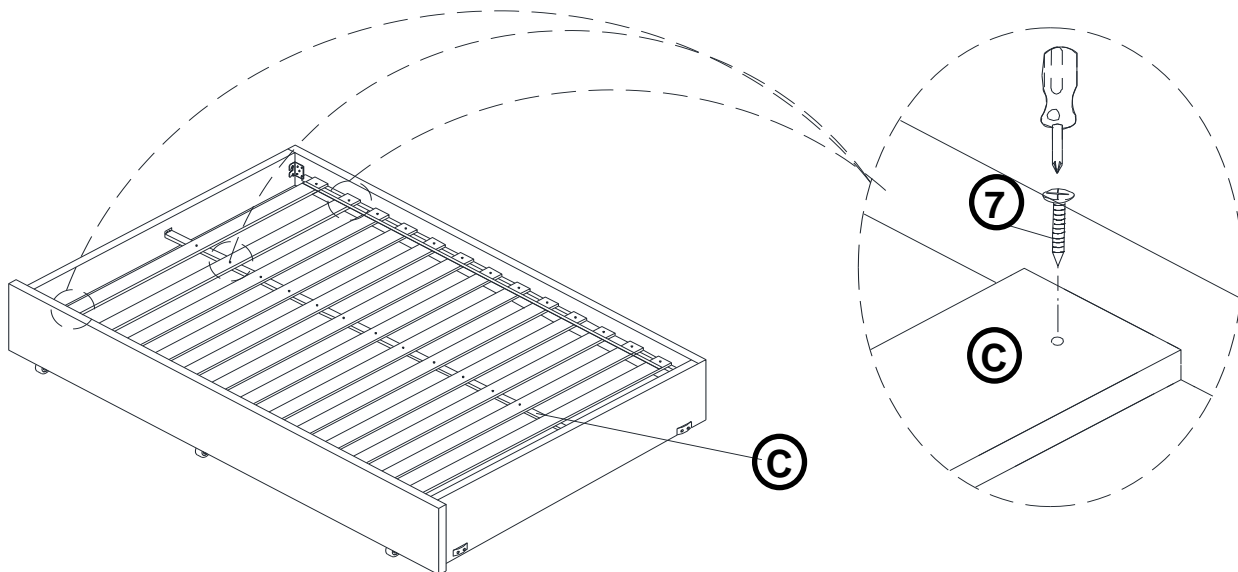
ITEM: **300554(B1&B2)**

ASSEMBLY INSTRUCTIONS

STEP 7



STEP 8

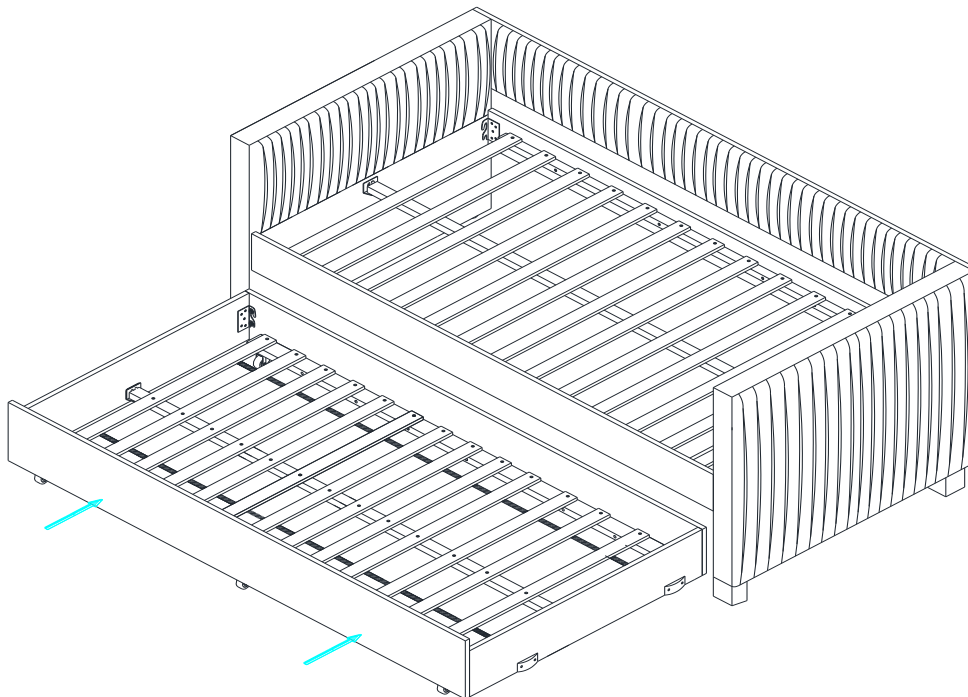


ITEM: **300554(B1&B2)**



ASSEMBLY INSTRUCTIONS

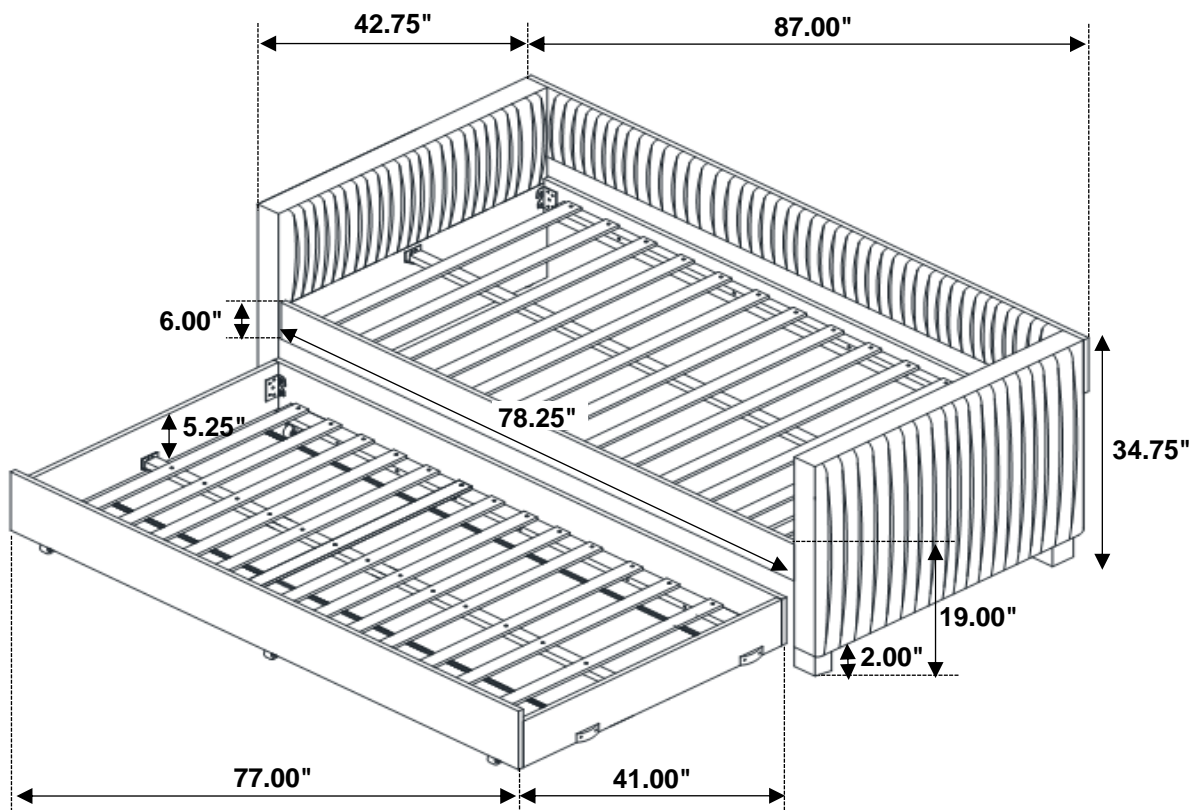
STEP 9
COMPLETE



ITEM: **300554(B1&B2)**



Daybed Inner Size: 78.25"W X 39.75"D
Trundle Inner Size: 75.25"W X 39.25"D



Note: Dimension tolerance $\pm 5\%$