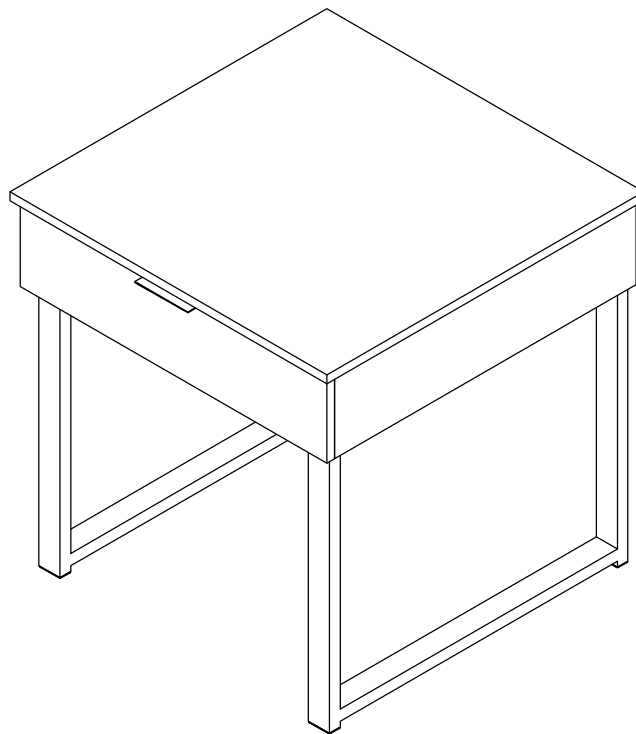


ASSEMBLY INSTRUCTIONS
COASTER FINE FURNITURE



Fine Furniture for every stage of life

723457
END TABLE

REVISION 0 : 05/05/2021
REVISION 1 : 12/05/2022

ITEM:723457



ASSEMBLY INSTRUCTIONS

ASSEMBLY TIPS:

1. Remove hardware from box and sort by size.
2. Please check to see that all hardware and parts are present prior to start of assembly.
3. Please follow attached instructions in the same sequence as numbered to assure fast & easy assembly.



WARNING!

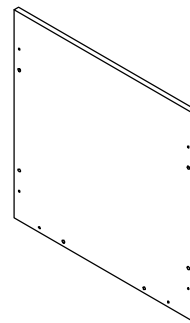
1. Don't attempt to repair or modify parts that are broken or defective. Please contact the store immediately.
2. This product is for home use only and not intended for commercial establishments.



ASSEMBLY TIME 50 MINUTES

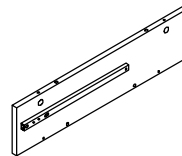
PARTS IDENTIFICATION

A TOP PANEL



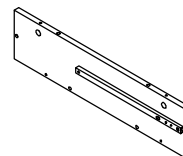
1PC

B LEFT PANEL



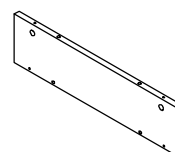
1PC

C RIGHT PANEL



1PC

D BACK PANEL



1PC

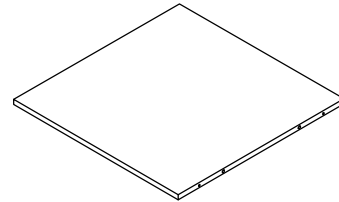
ITEM:723457

ASSEMBLY INSTRUCTIONS

PARTS IDENTIFICATION

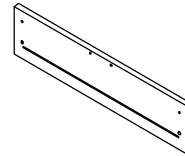


E BOTTOM PANEL



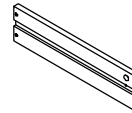
1PC

F DRAWER FRONT PANEL



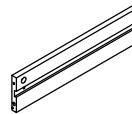
1PC

G DRAWER LEFT PANEL



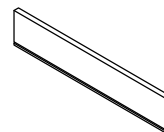
1PC

H DRAWER RIGHT PANEL



1PC

I DRAWER BACK PANEL



1PC

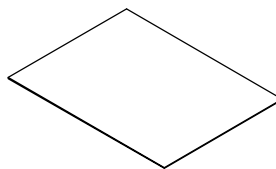
ITEM:723457



ASSEMBLY INSTRUCTIONS

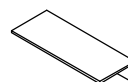
PARTS IDENTIFICATION

J DRAWER BOTTOM PANEL



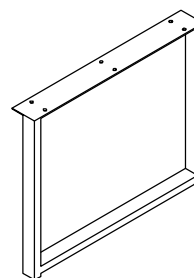
1PC

K HANDLE



1PC

L SIDE FRAME



2PCS

ITEM:723457

ASSEMBLY INSTRUCTIONS

HARDWARE IDENTIFICATION



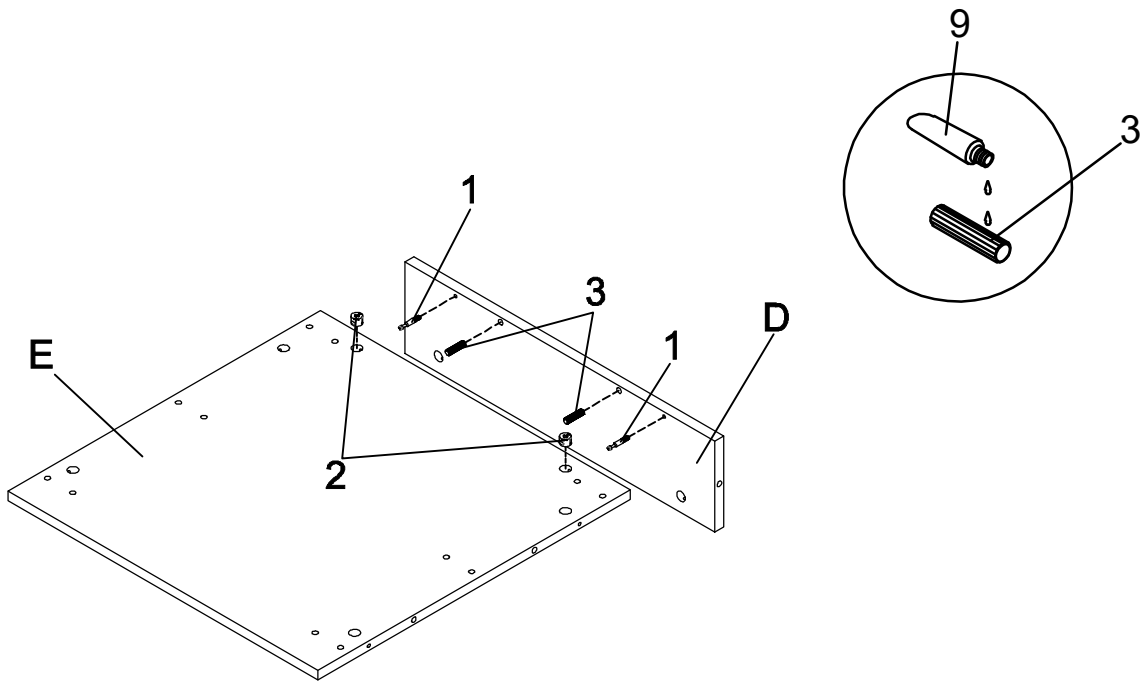
1	CAM BOLT (45MM)		14PCS
2	CAM-LOCK (ϕ 15MM)		14PCS
3	WOOD DOWEL (8 x 35mm)		16PCS
4	LONG SCREW (8 x 38mm)		4PCS
5	SMALL BOLT (5/32" x12mm)		2PCS
6	SHORT SCREW (4 x 12mm)		2PCS
7	SHORT BOLT (1/4" x 12mm)		12PCS
8	CAP (20 x 40mm)		4PCS
9	GLUE		1PC
10	ALLEN WRENCH (4mm)		1PC

ITEM:723457

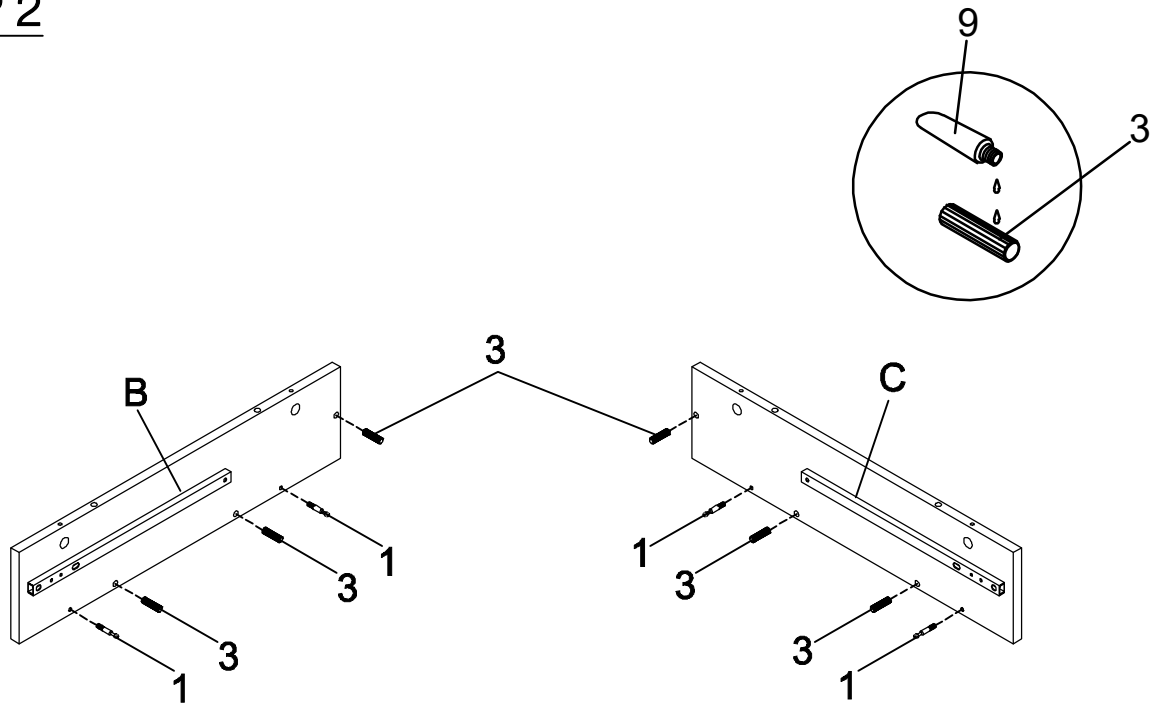


ASSEMBLY INSTRUCTIONS

STEP 1 Do not tighten until each step is completed or instructed.



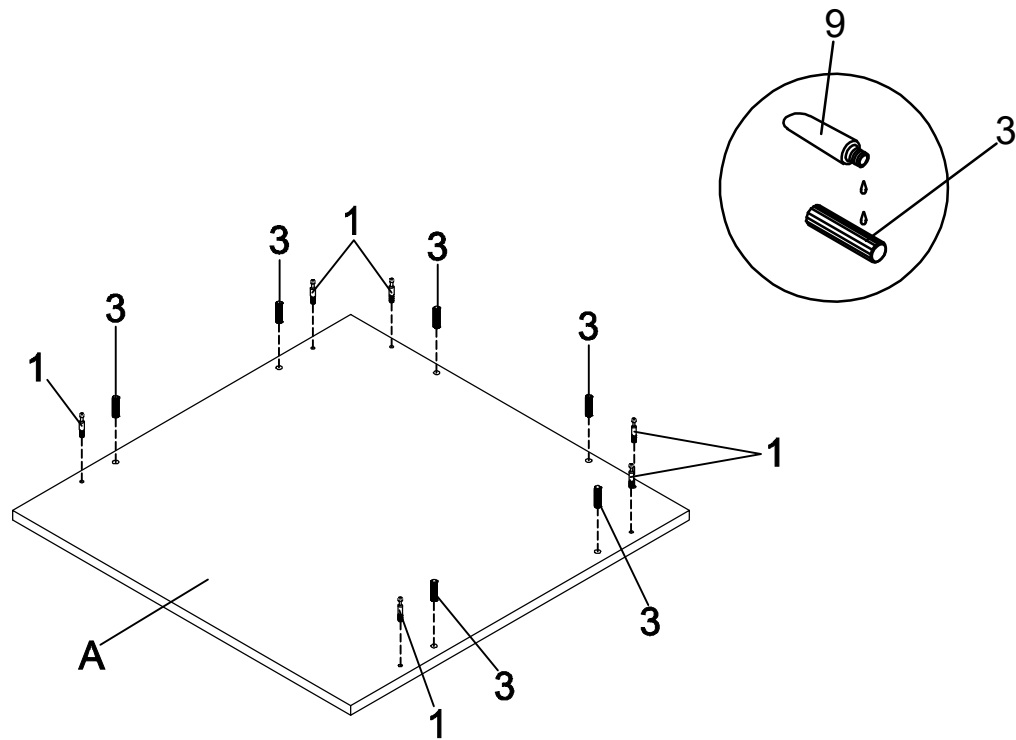
STEP 2



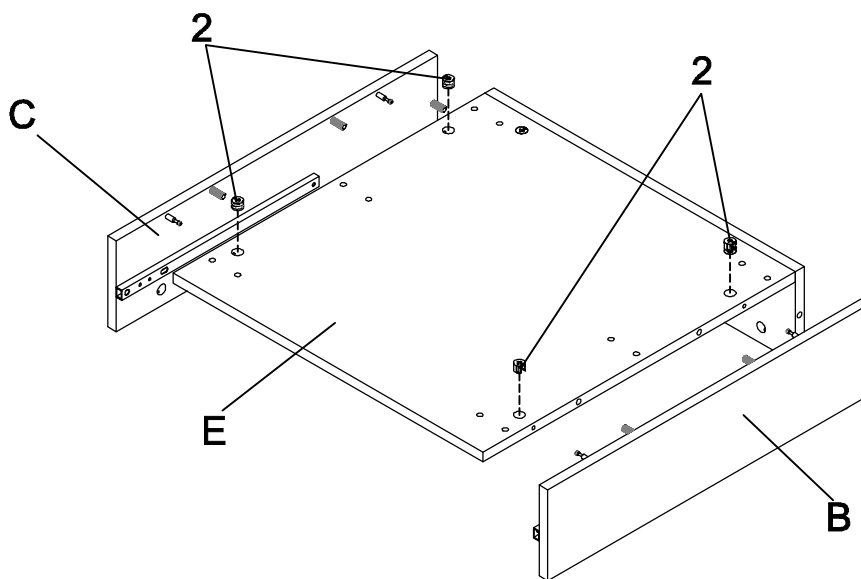
ITEM:723457

ASSEMBLY INSTRUCTIONS

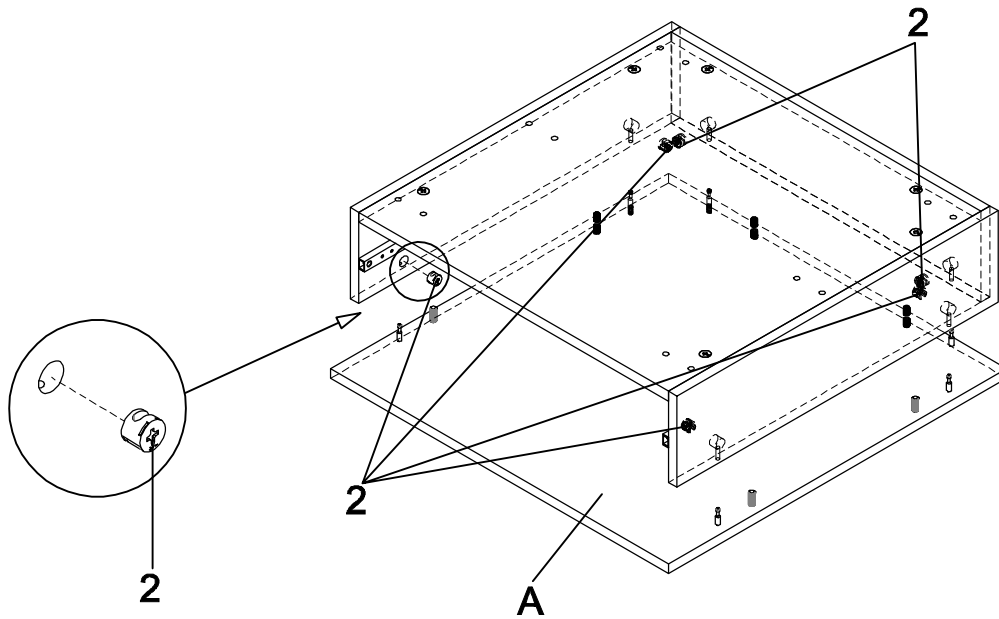
STEP 3



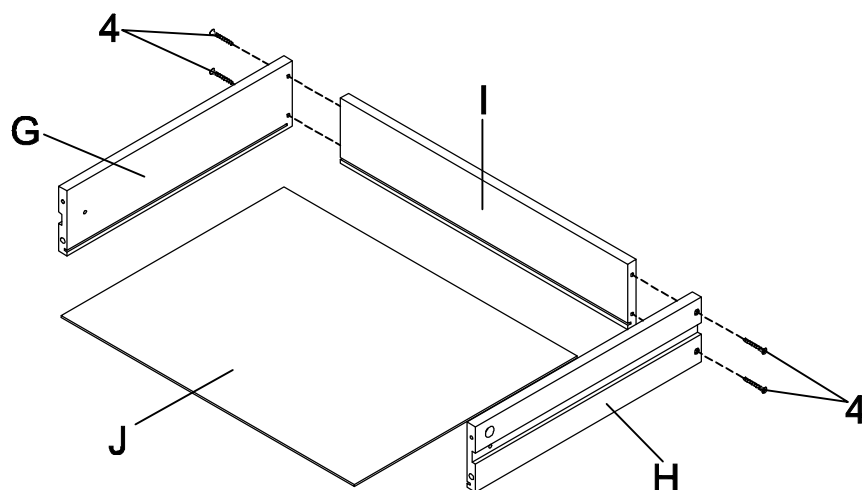
STEP 4



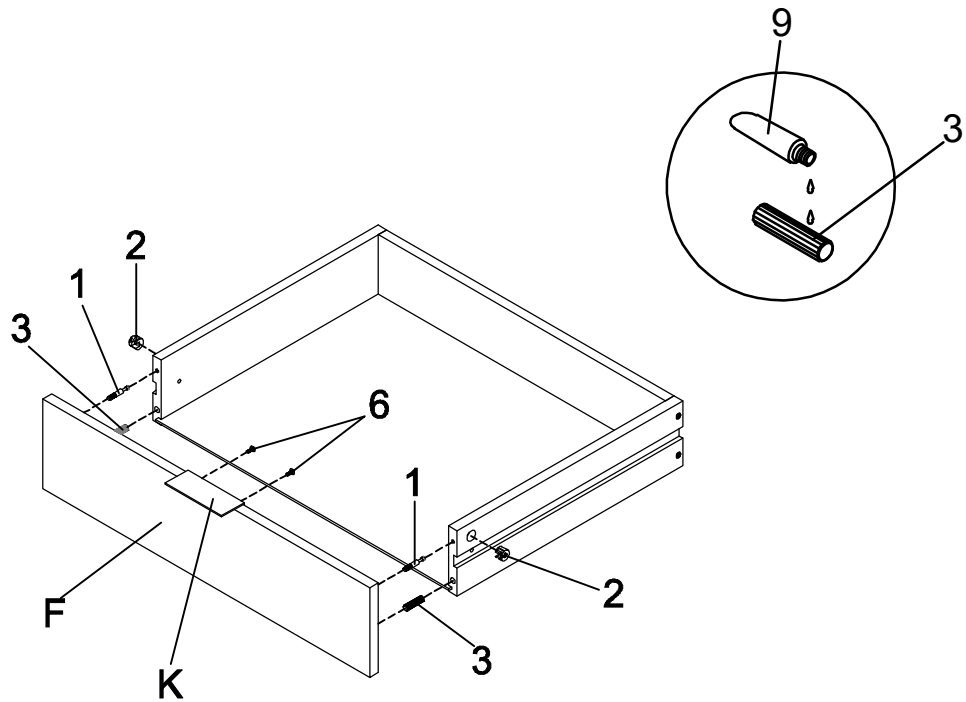
ITEM: 723457
ASSEMBLY INSTRUCTIONS
STEP 5



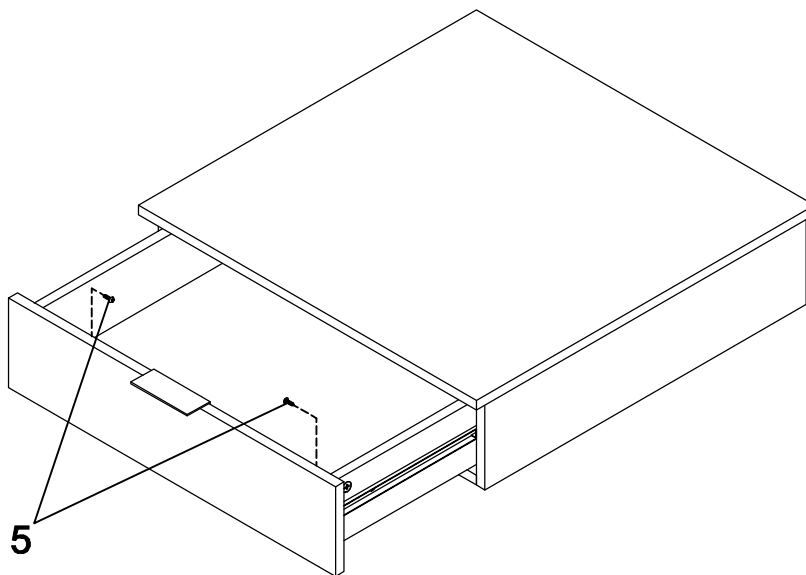
STEP 6



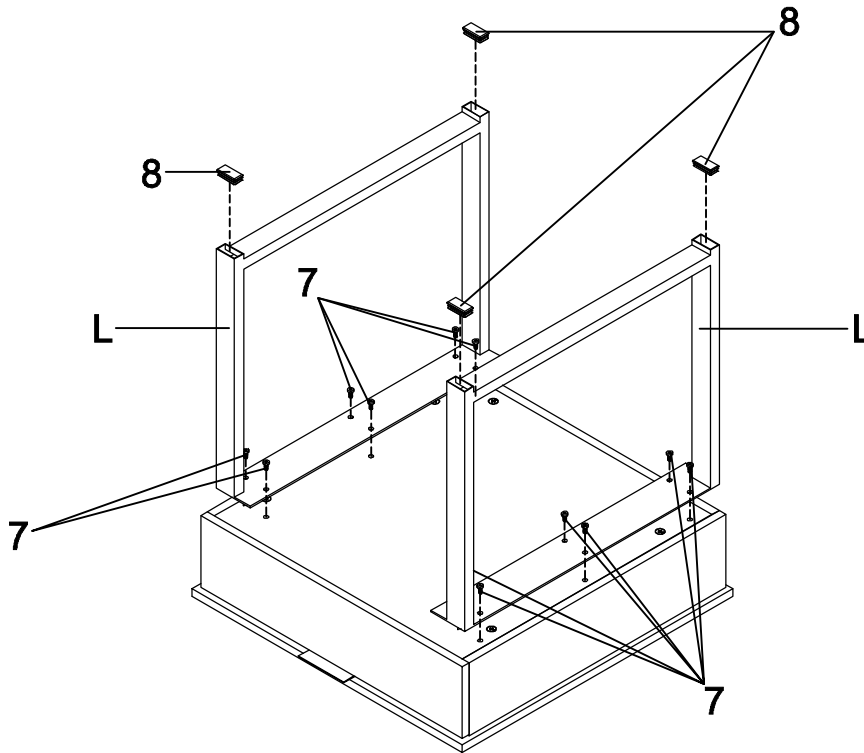
ITEM: 723457
ASSEMBLY INSTRUCTIONS
STEP 7



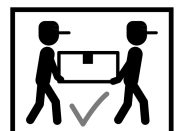
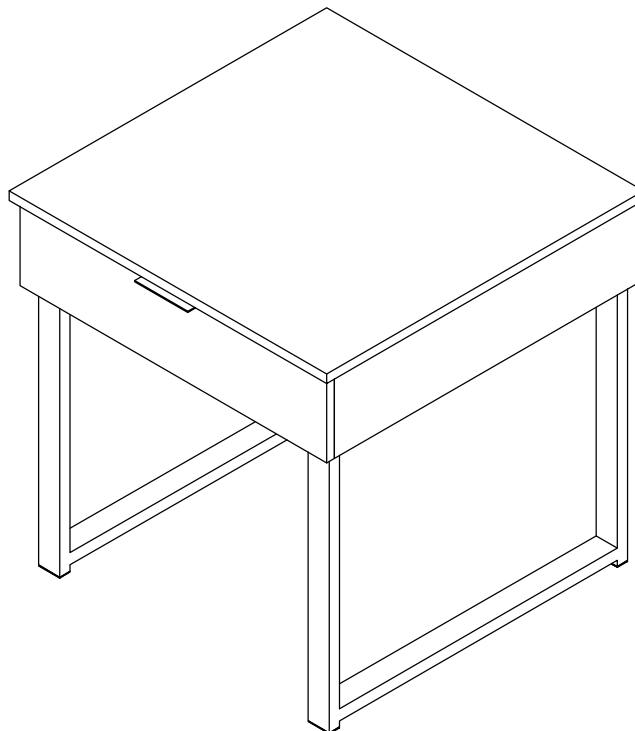
STEP 8



ITEM: 723457
ASSEMBLY INSTRUCTIONS
STEP 9



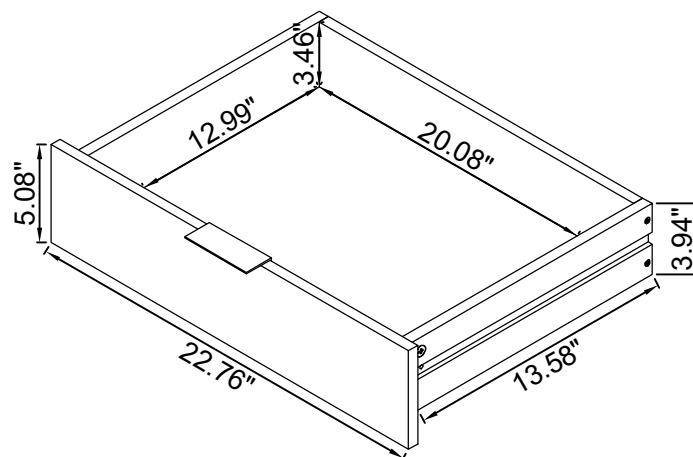
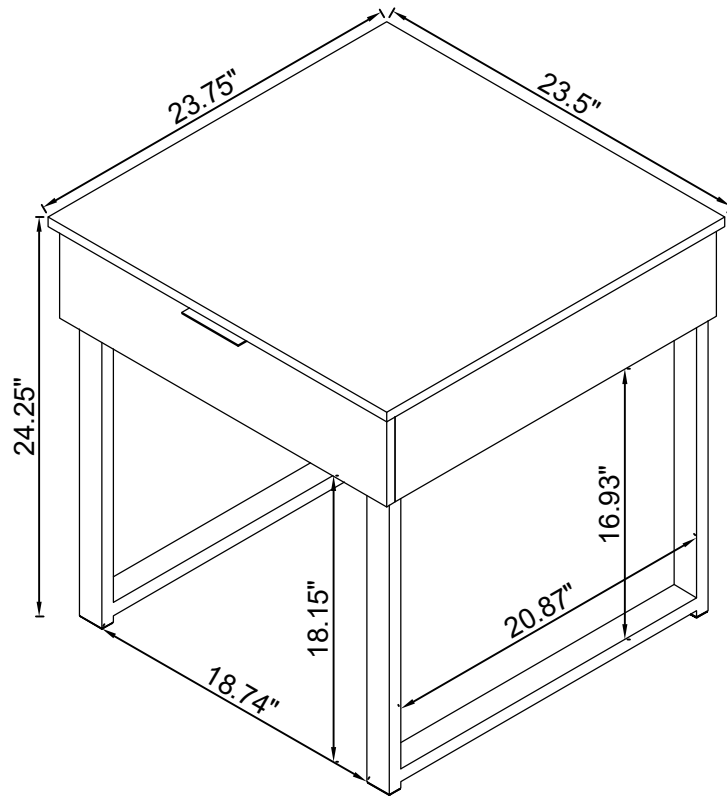
STEP 10



ITEM: 723457 ASSEMBLY INSTRUCTIONS



Product Size : 597 X 603 X 616 H (MM)
Product Size : 23.5" X 23.75" X 24.25"



Note : Dimension tolerance $\pm 5\%$