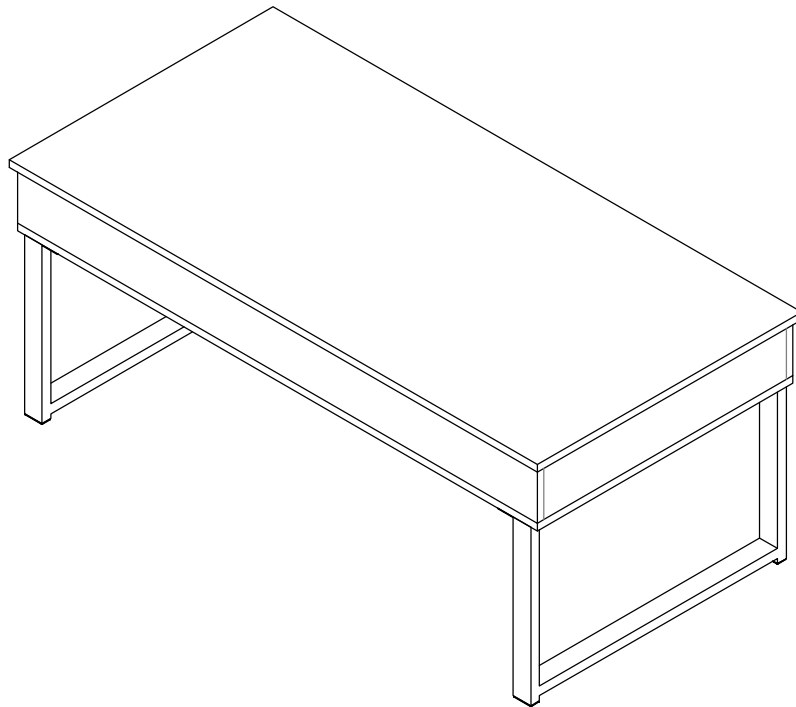


ASSEMBLY INSTRUCTIONS
COASTER FINE FURNITURE



Fine Furniture for every stage of life

723458
LIFT TOP COFFEE TABLE

REVISION 0 : 05/05/2021
REVISION 1 : 12/05/2022

ITEM:723458



ASSEMBLY INSTRUCTIONS

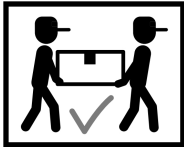
ASSEMBLY TIPS:

1. Remove hardware from box and sort by size.
2. Please check to see that all hardware and parts are present prior to start of assembly.
3. Please follow attached instructions in the same sequence as numbered to assure fast & easy assembly.



WARNING!

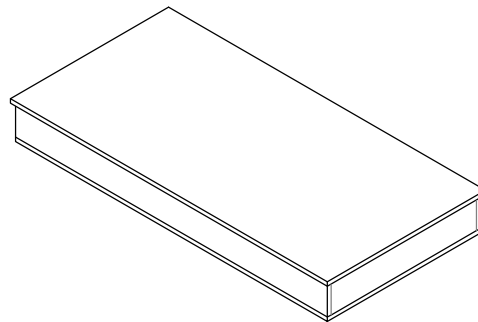
1. Don't attempt to repair or modify parts that are broken or defective. Please contact the store immediately.
2. This product is for home use only and not intended for commercial establishments.



ASSEMBLY TIME 20 MINUTES

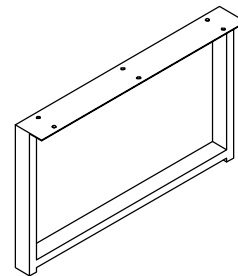
PARTS IDENTIFICATION

A TOP BOX



1PC


B SIDE FRAME




2PCS

HARDWARE IDENTIFICATION

1 SHORT BOLT
(1/4" x 12mm SR)  12PCS

3 ALLEN WRENCH
(4mm)  1PC

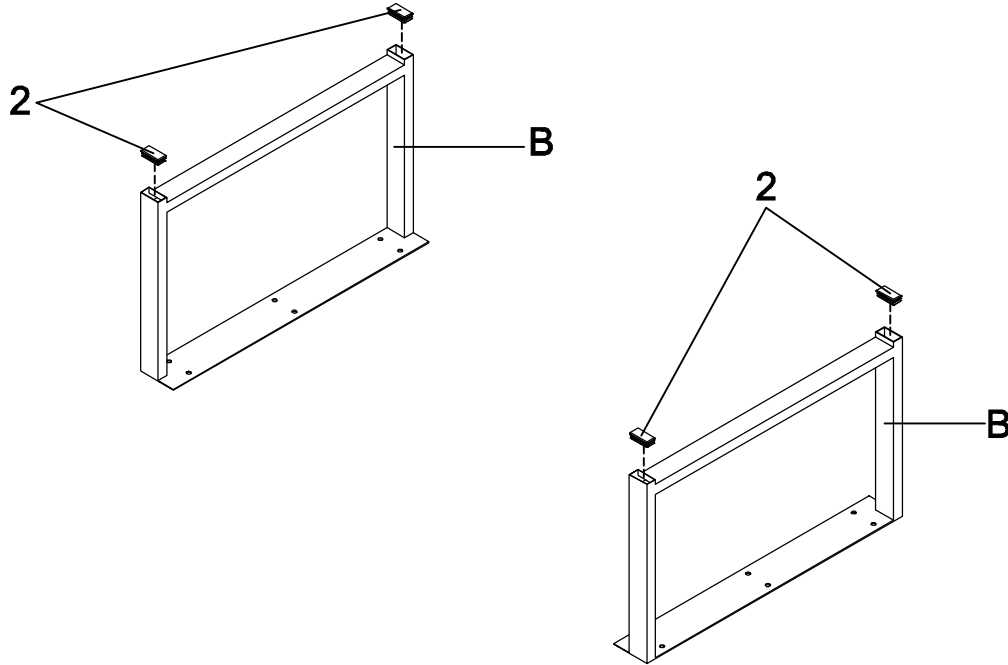
2 CAP
(20 x 40mm BLK)  4PCS

ITEM:723458

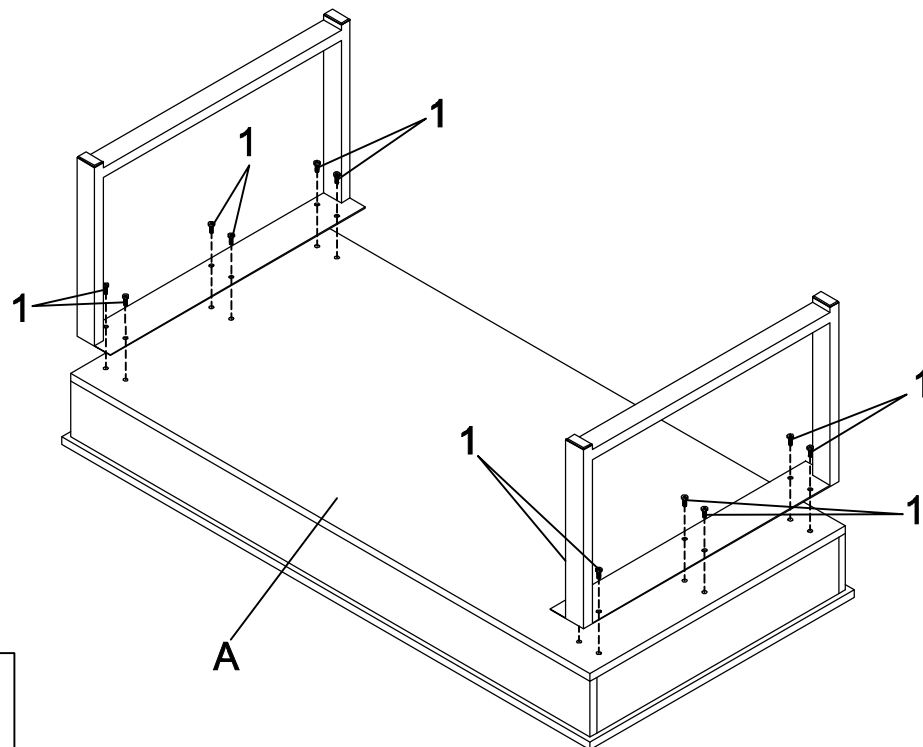


ASSEMBLY INSTRUCTIONS

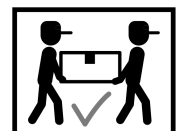
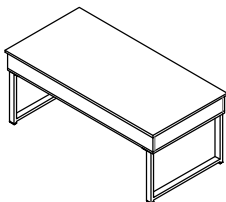
STEP 1 Do not tighten until each step is completed or instructed.



STEP 2



COMPLETE

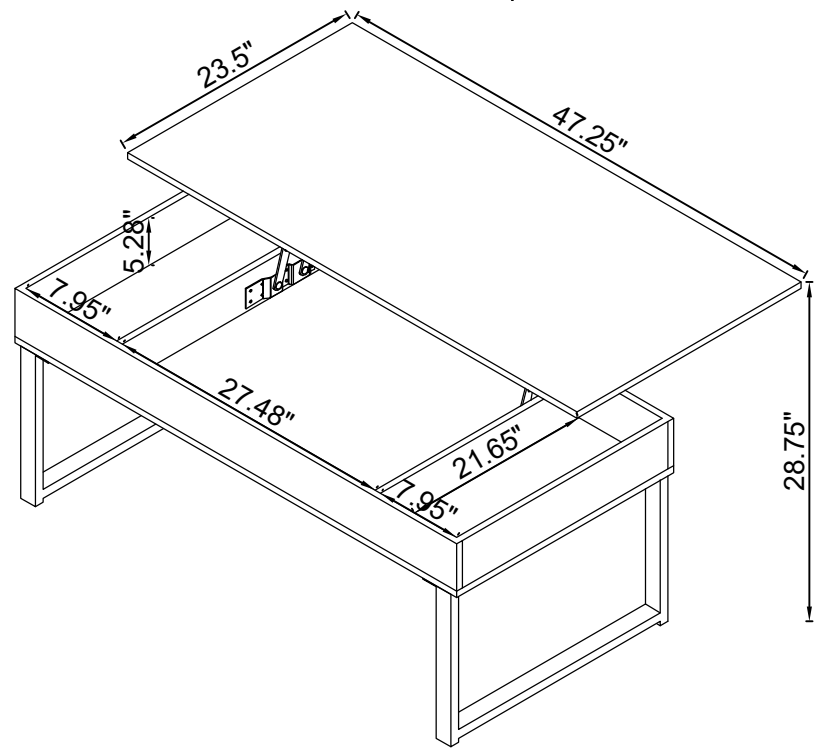
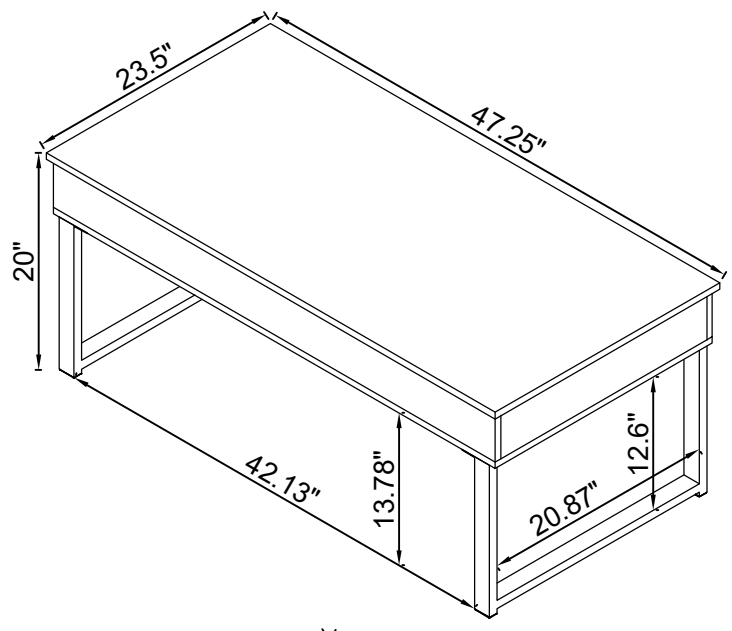


ITEM: 723458

ASSEMBLY INSTRUCTIONS



Product Size : 1200 X 597 X 508 H (MM)
Product Size : 47.25" X 23.5" X 20"



Note : Dimension tolerance $\pm 5\%$