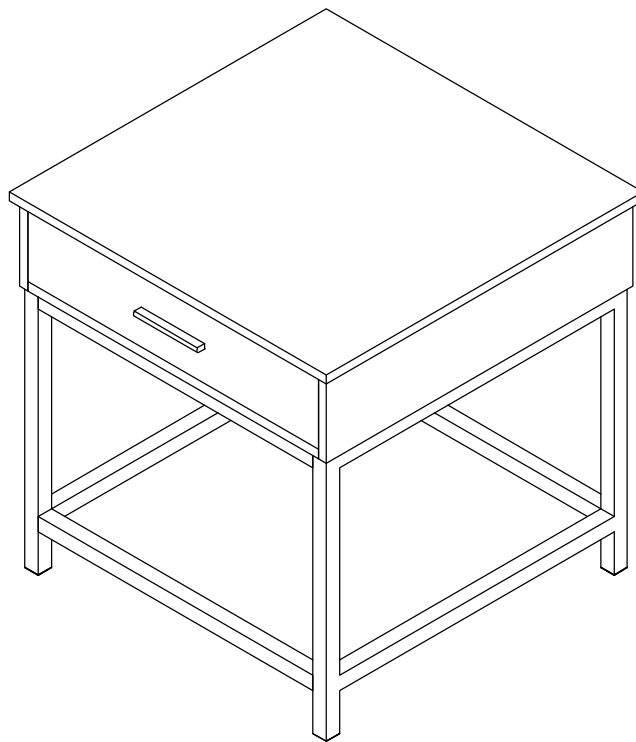


*ASSEMBLY INSTRUCTIONS*  
*COASTER FINE FURNITURE*



*Fine Furniture for every stage of life*

**723777**  
**END TABLE**

REVISION 0 : 05/05/2021  
REVISION 1 : 12/06/2022

ITEM:723777



# ASSEMBLY INSTRUCTIONS

## ASSEMBLY TIPS:

1. Remove hardware from box and sort by size.
2. Please check to see that all hardware and parts are present prior to start of assembly.
3. Please follow attached instructions in the same sequence as numbered to assure fast & easy assembly.



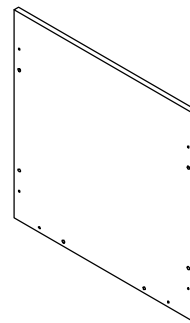
## WARNING!

1. Don't attempt to repair or modify parts that are broken or defective. Please contact the store immediately.
2. This product is for home use only and not intended for commercial establishments.

ASSEMBLY TIME 50 MINUTES

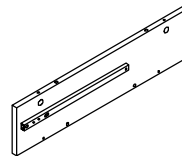
## PARTS IDENTIFICATION

A TOP PANEL



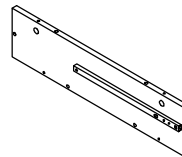
1PC

B LEFT PANEL



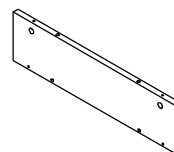
1PC

C RIGHT PANEL



1PC

D BACK PANEL



1PC

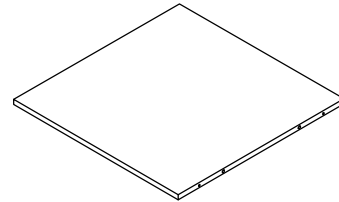
ITEM:723777

# ASSEMBLY INSTRUCTIONS

## PARTS IDENTIFICATION

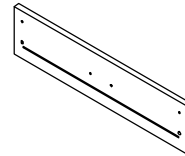


E BOTTOM PANEL



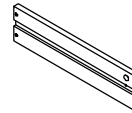
1PC

F DRAWER FRONT PANEL



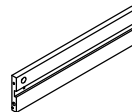
1PC

G DRAWER LEFT PANEL



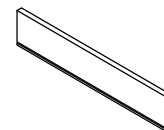
1PC

H DRAWER RIGHT PANEL



1PC

I DRAWER BACK PANEL



1PC

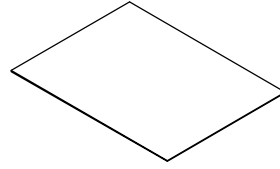
ITEM:723777



# ASSEMBLY INSTRUCTIONS

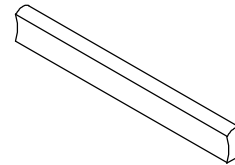
## PARTS IDENTIFICATION

J DRAWER BOTTOM PANEL



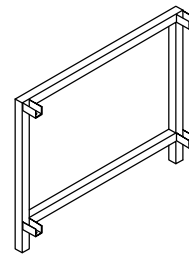
1PC

K HANDLE



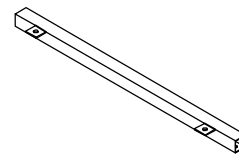
1PC

L SIDE FRAME



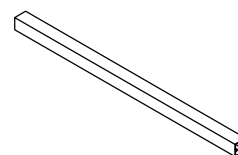
2PCS

M TOP CROSSBAR



2PCS

N BOTTOM CROSSBAR













2PCS

ITEM:723777

# ASSEMBLY INSTRUCTIONS

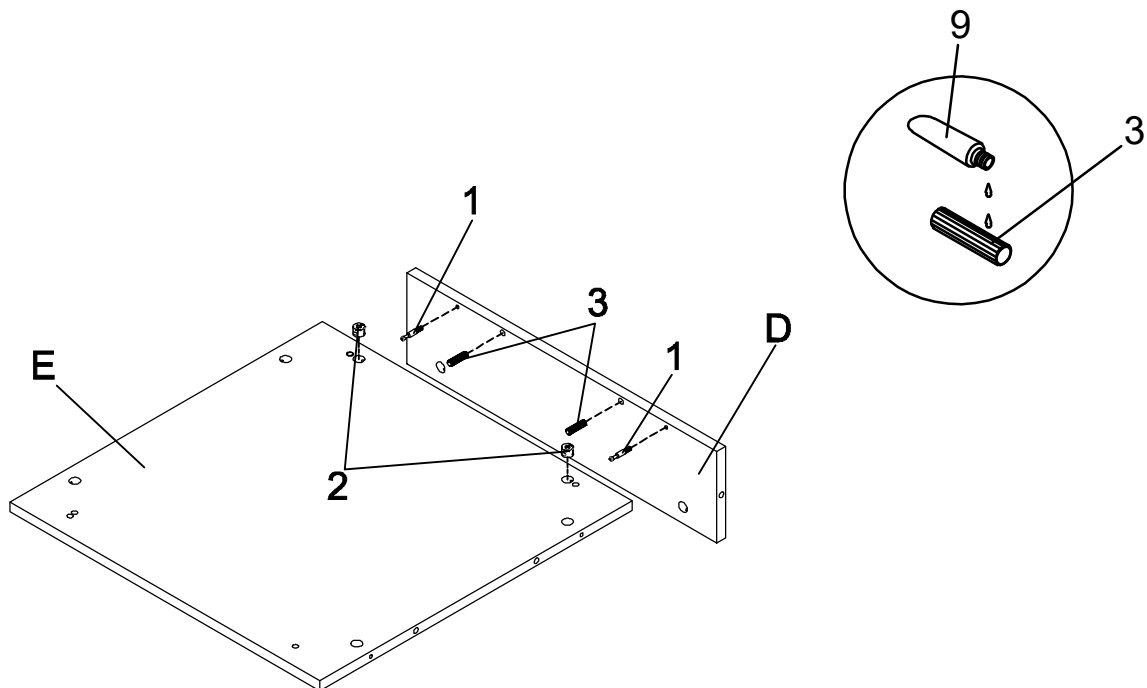


## HARDWARE IDENTIFICATION

1	CAM BOLT (45MM)		14PCS	6	SHORT SCREW (5/32" x22mm)		2PCS
2	CAM-LOCK (Ø15MM)		14PCS	7	SHORT BOLT (1/4" x 12mm)		20PCS
3	WOOD DOWEL (8 x 35mm)		16PCS	8	CAP (25 x 25mm)		4PCS
4	LONG SCREW (8 x 38mm)		4PCS	9	GLUE		1PC
5	SMALL BOLT (5/32" x12mm)		2PCS	10	ALLEN WRENCH (4mm)		1PC

### STEP 1

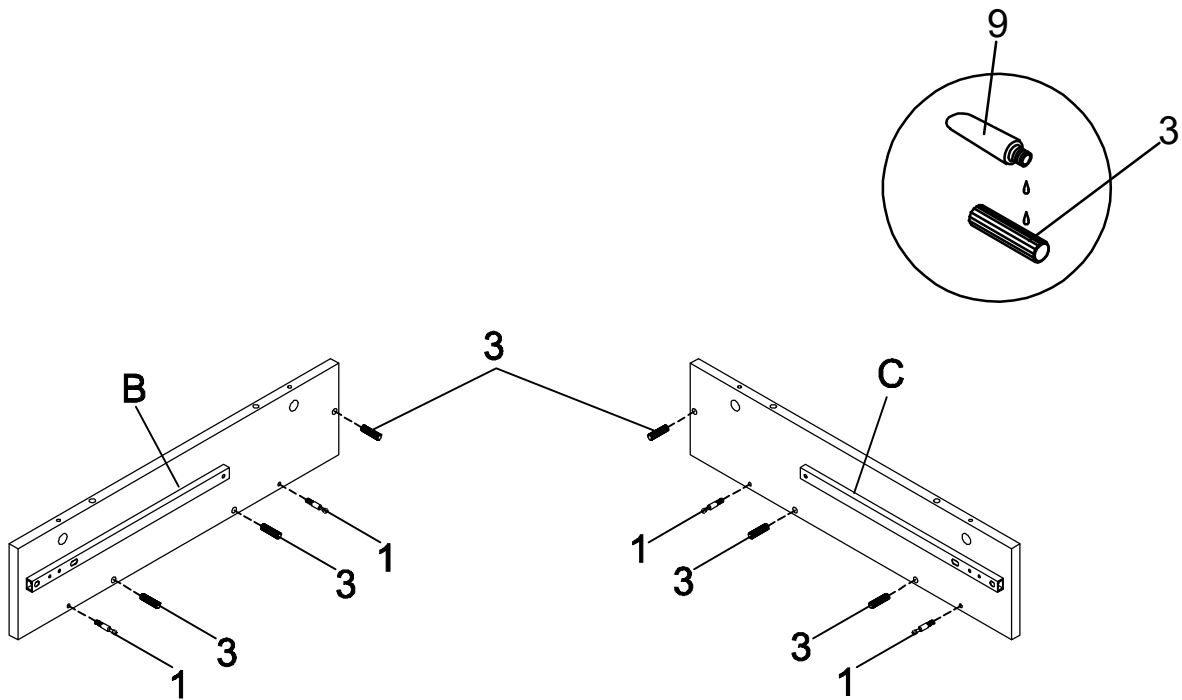
Do not tighten until each step is completed or instructed.



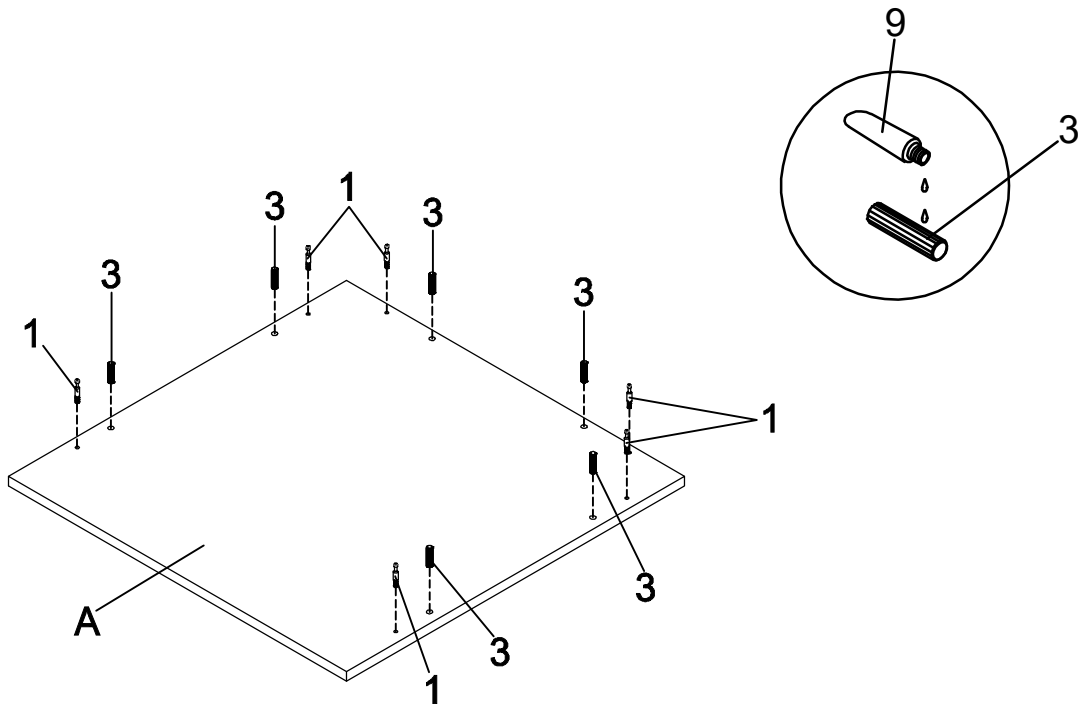
ITEM:723777

# ASSEMBLY INSTRUCTIONS

## STEP 2



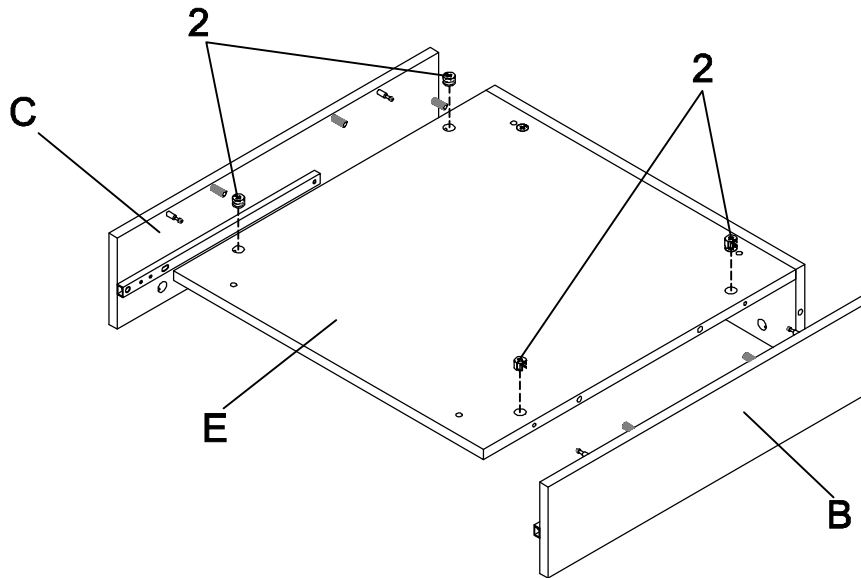
## STEP 3



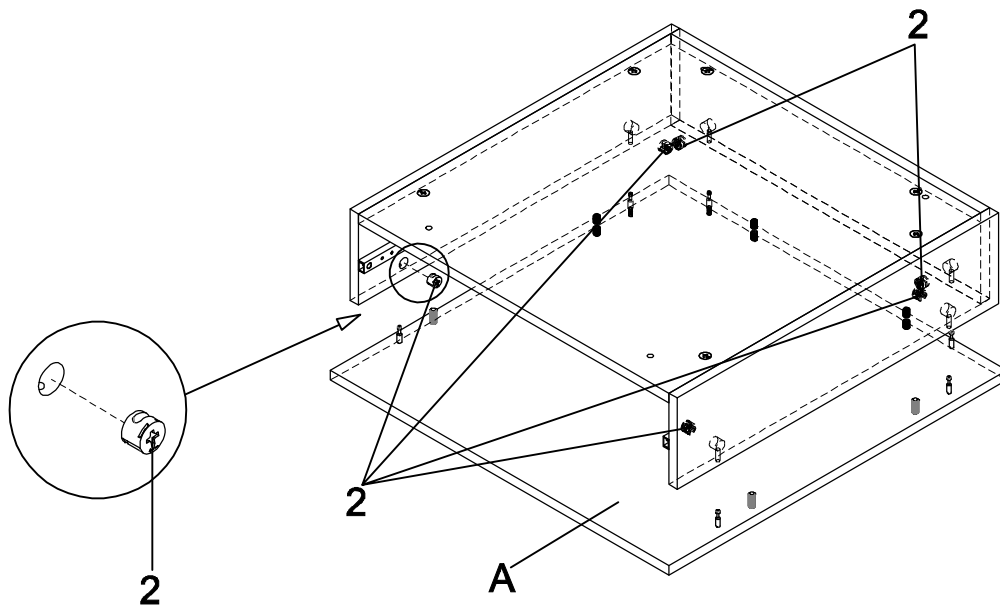
ITEM:723777

# ASSEMBLY INSTRUCTIONS

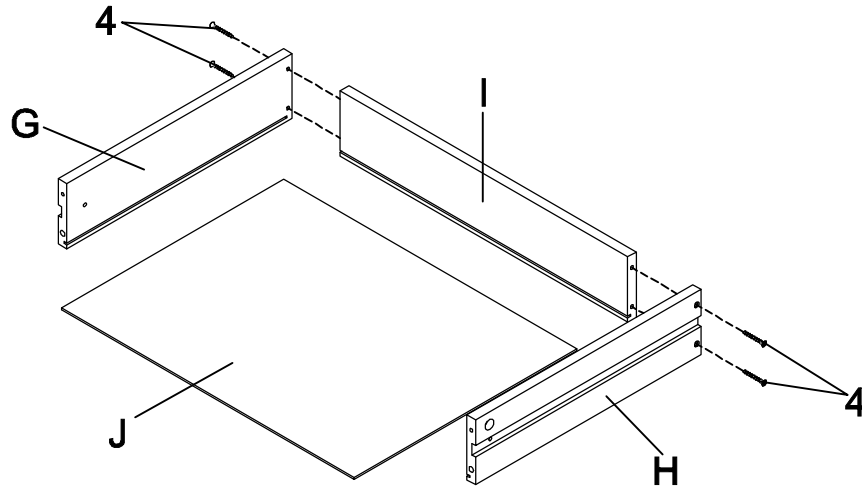
## STEP 4



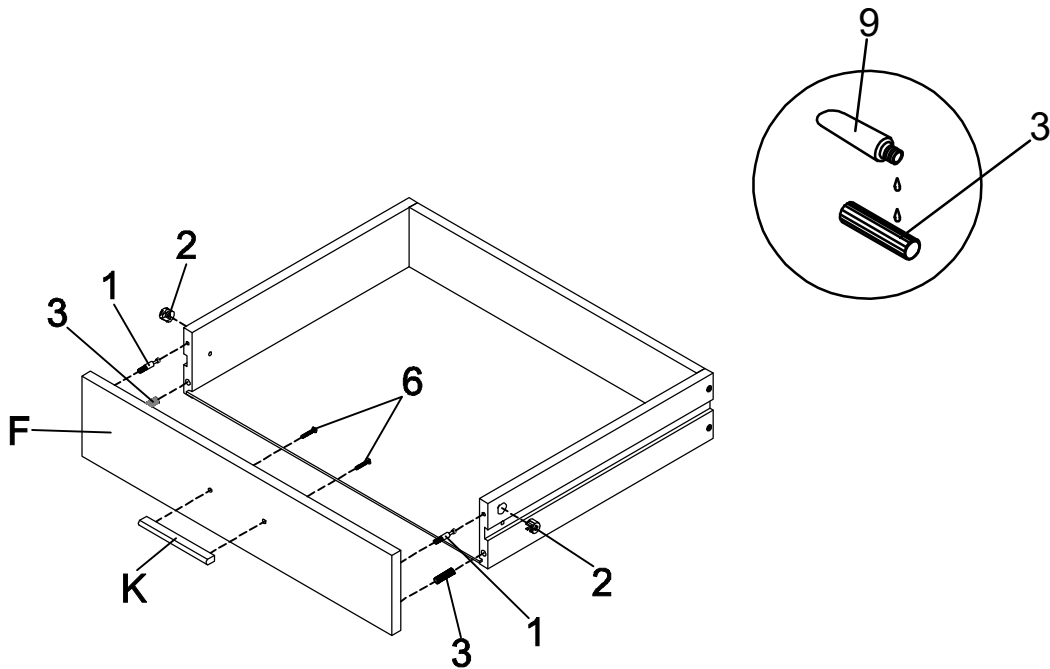
## STEP 5



ITEM: 723777  
ASSEMBLY INSTRUCTIONS  
STEP 6

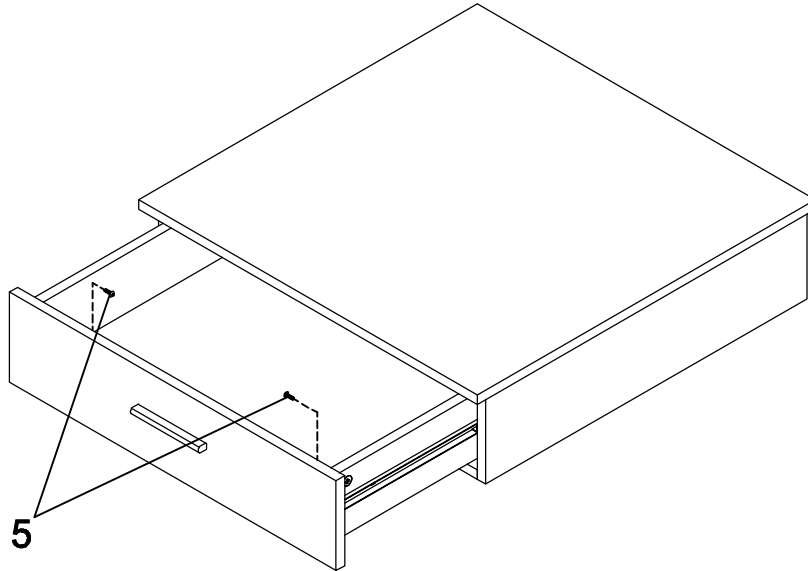


STEP 7

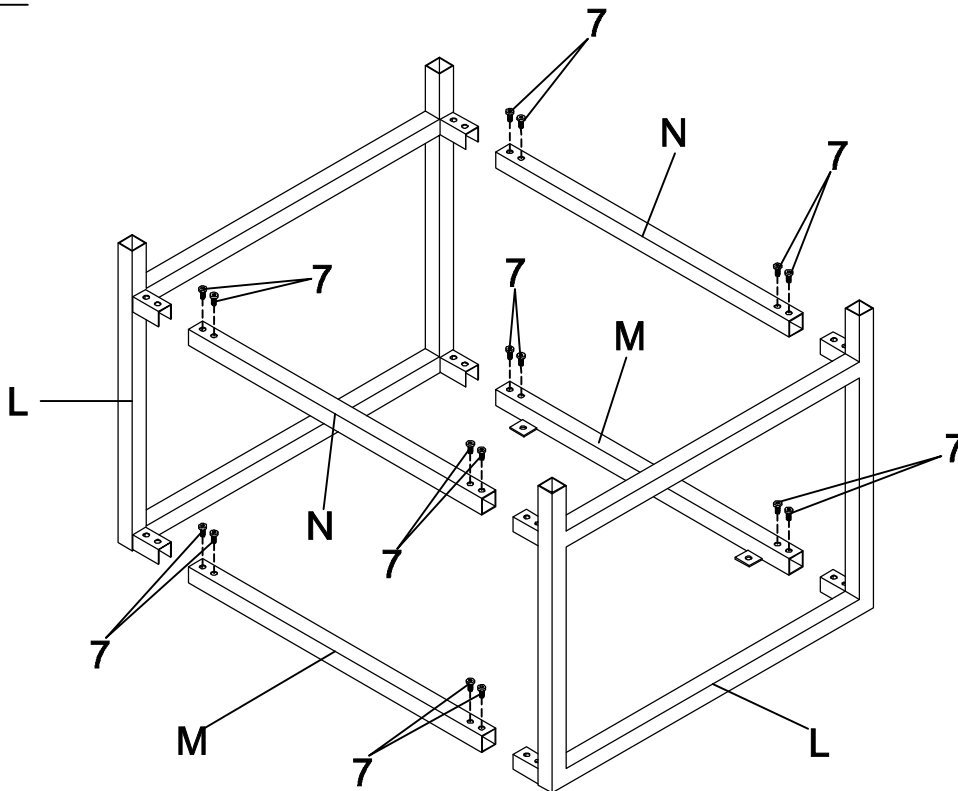




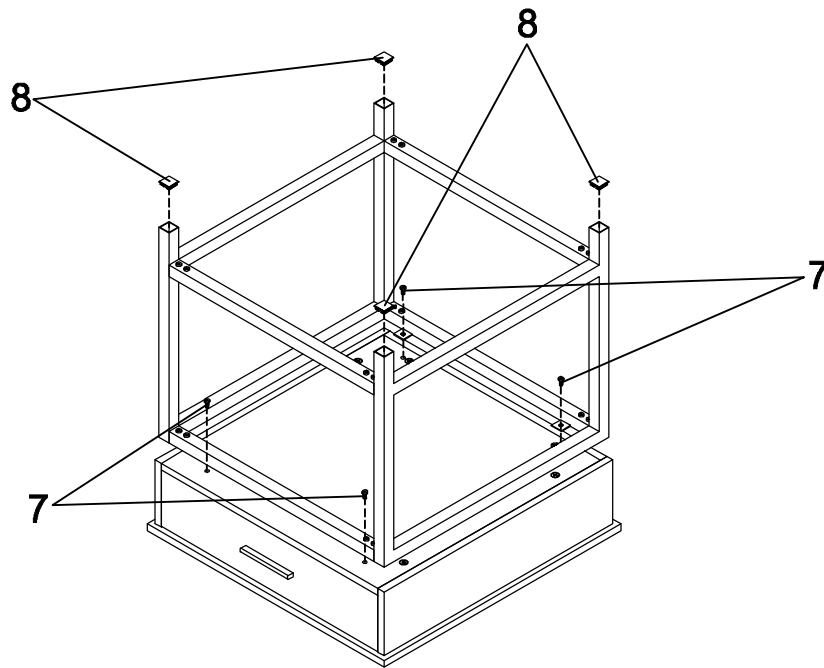
ITEM: 723777  
ASSEMBLY INSTRUCTIONS  
STEP 8



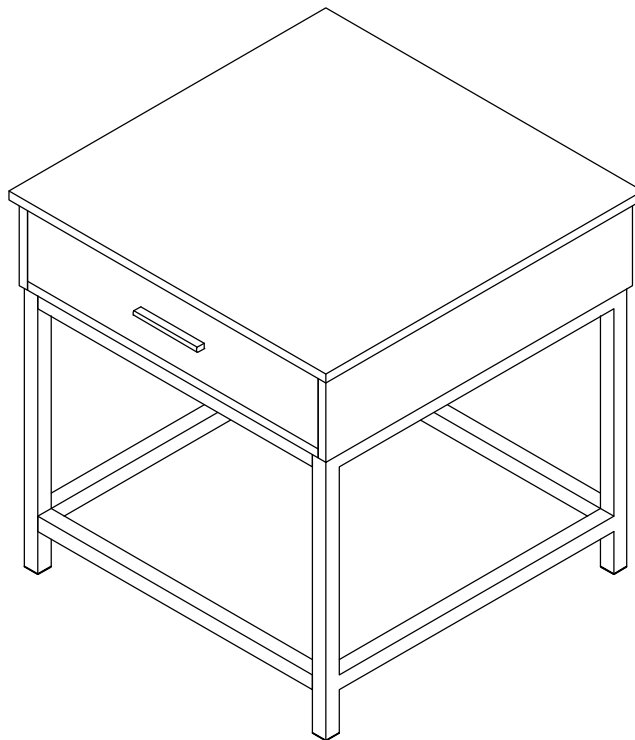
STEP 9



ITEM: 723777  
ASSEMBLY INSTRUCTIONS  
STEP 10



STEP 11  
COMPLETE

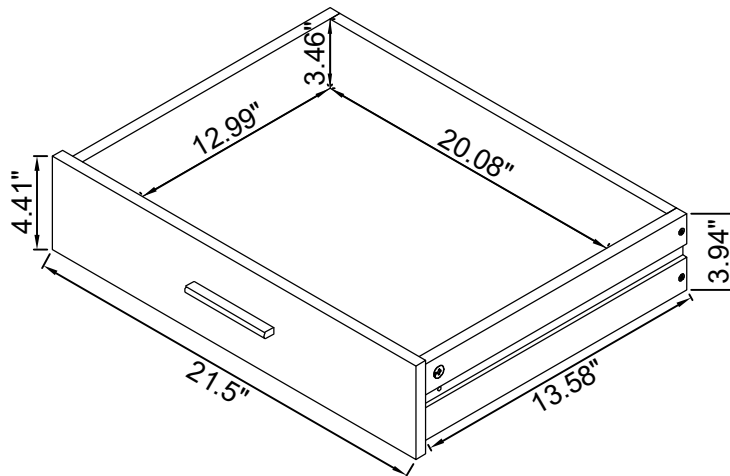
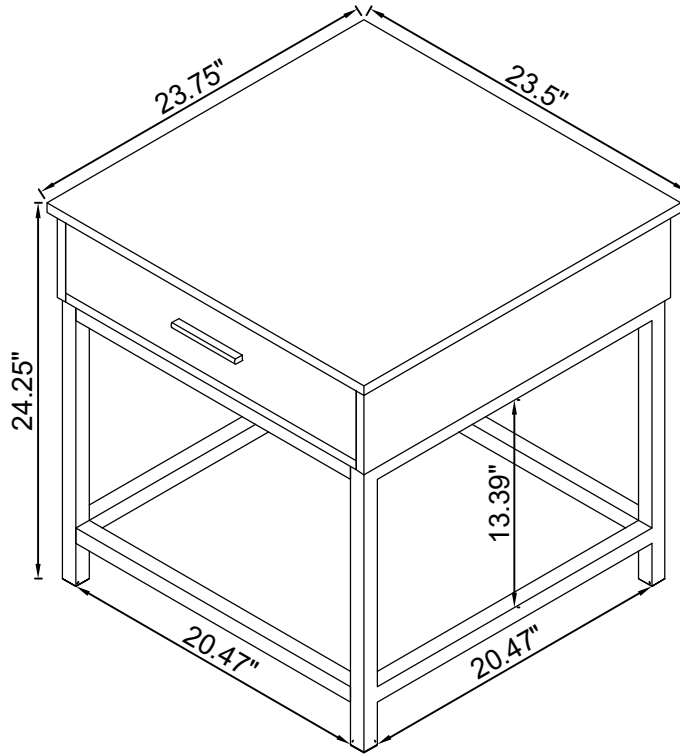


# ITEM: 723777 ASSEMBLY INSTRUCTIONS



Product Size : 597 X 603 X 616 H (MM)

Product Size : 23.5" X 23.75" X 24.25"



Note : Dimension tolerance  $\pm 5\%$