

ASSEMBLY INSTRUCTIONS
COASTER FINE FURNITURE



Fine Furniture for every stage of life

723615
3Pcs Occasional Set

ITEM: 723615



ASSEMBLY INSTRUCTIONS

ASSEMBLY TIPS:

1. Remove hardware from box and sort by size.
2. Please check to see that all hardware and parts are present prior to start of assembly.
3. Please follow attached instructions in the same sequence as numbered to assure fast & easy assembly.



WARNING!

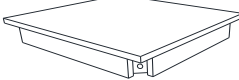
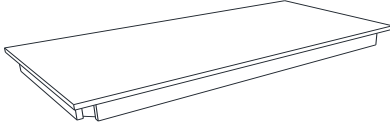
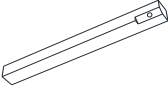

1. Don't attempt to repair or modify parts that are broken or defective. Please contact the store immediately.
2. This product is for home use only and not intended for commercial establishments.







ASSEMBLY TIME

15 MINUTES

PARTS IDENTIFICATION

A	END TABLE TOP		2PCS
B	COFFEE TABLE TOP		1PC
C	END TABLE LEG		8PCS
D	COFFEE TABLE LEG		4PCS

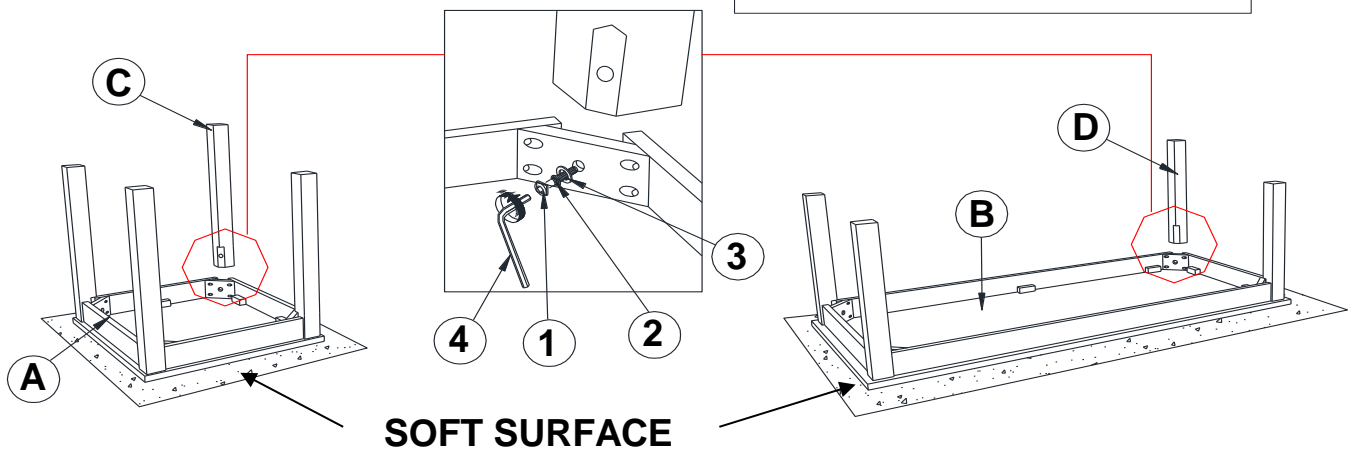
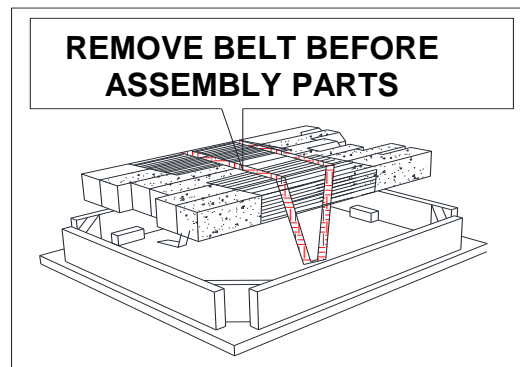
HARDWARE IDENTIFICATION

1	BOLT (M6 x 50mm - BLK)		12PCS
2	LOCK WASHER (1/4" - BLK)		12PCS
3	FLAT WASHER (1/4"ID x 19mm - BLK)		12PCS
4	ALLEN WRENCH (M4 x 60mm - BLK)		1PC

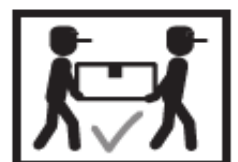
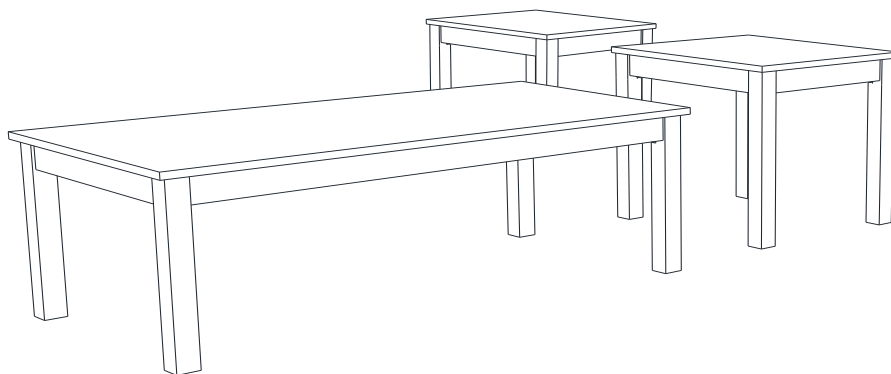
ITEM: **723615**

ASSEMBLY INSTRUCTIONS

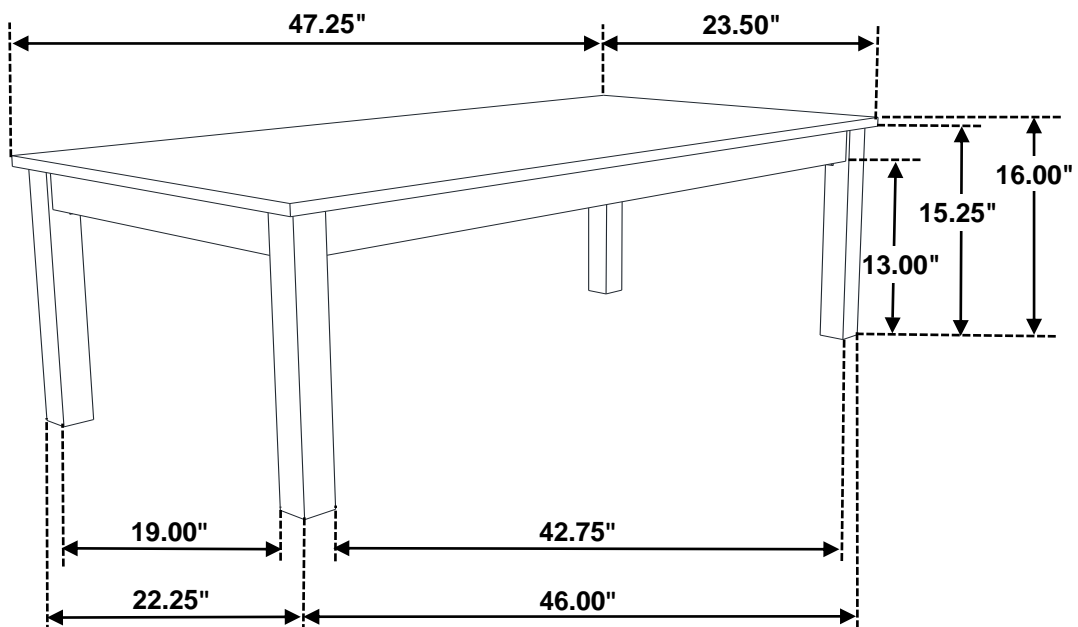
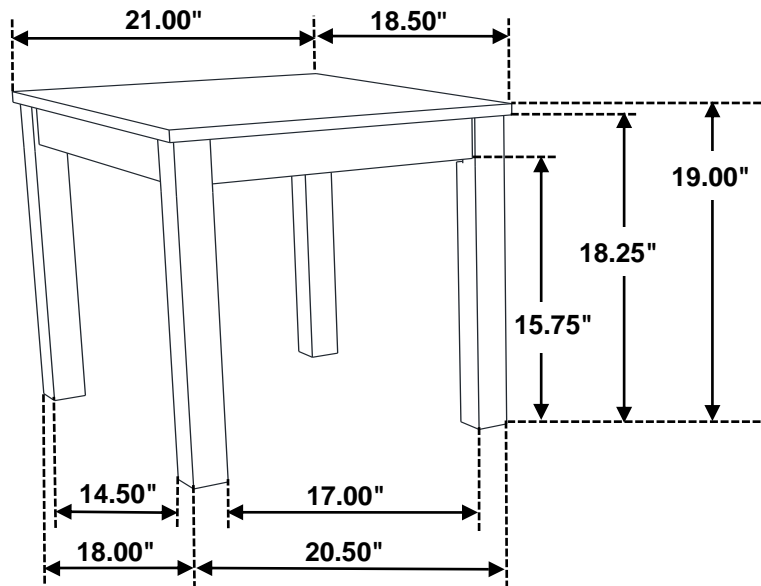
STEP 1



STEP 2 COMPLETE



ITEM: 723615



Note : Dimension tolerance $\pm 5\%$