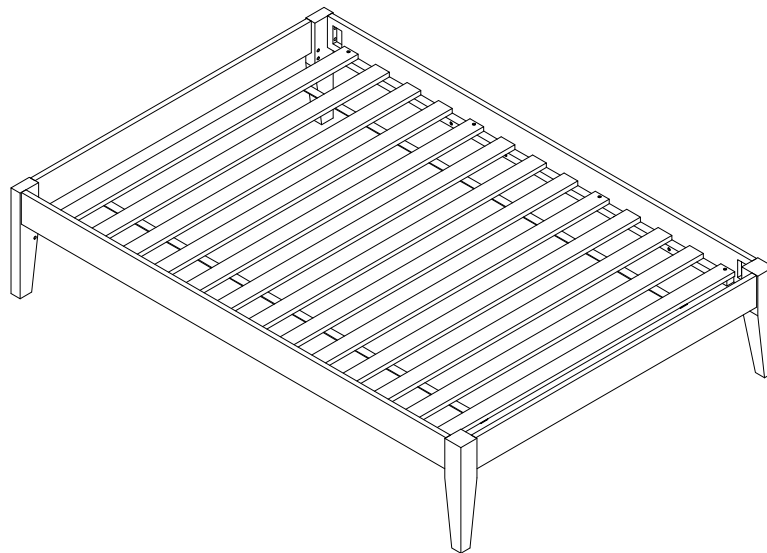


ASSEMBLY INSTRUCTIONS
COASTER FINE FURNITURE



Fine Furniture for every stage of life

306129T (B1&B2)
Twin Platform Bed

ITEM: 306129T (B1&B2)



ASSEMBLY INSTRUCTIONS

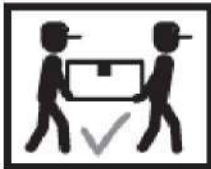
ASSEMBLY TIPS:

1. Remove hardware from box and sort by size.
2. Please check to see that all hardware and parts are present prior to start of assembly.
3. Please follow attached instructions in the same sequence as numbered to assure fast & easy assembly.



WARNING!

1. Don't attempt to repair or modify parts that are broken or defective. Please contact the store immediately.
2. This product is for home use only and not intended for commercial establishments.



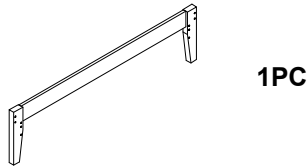
ASSEMBLY TIME

10 MINUTES

PARTS IDENTIFICATION

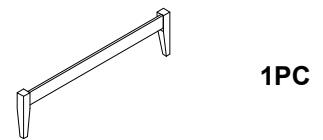
B1 (BOX 1)

A HEADBOARD



1PC

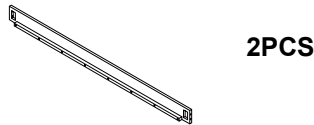
B FOOTBOARD



1PC

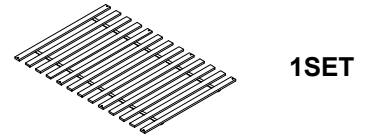
B2 (BOX 2)

C BED RAIL



2PCS

D ROLL SLAT
(13PCS)

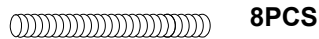


1SET

HARDWARE IDENTIFICATION

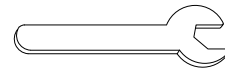
Z-B2 (BOX2) - HARDWARE PACK IS LOCATED IN 306128T (B2)

1 **THREADED BOLT**
(5/16 x 90mm - RBW)



8PCS

4 **WRENCH**
(12mm - RBW)



1PC

2 **HEX NUT**
(5/16 x 12mm - RBW)



8PCS

5 **FLAT HEAD SCREW**
(4 x 30mm - RBW)



8PCS

3 **FLAT WASHER**
(8 x16 x 1.5mm - RBW)



8PCS

NOTE:

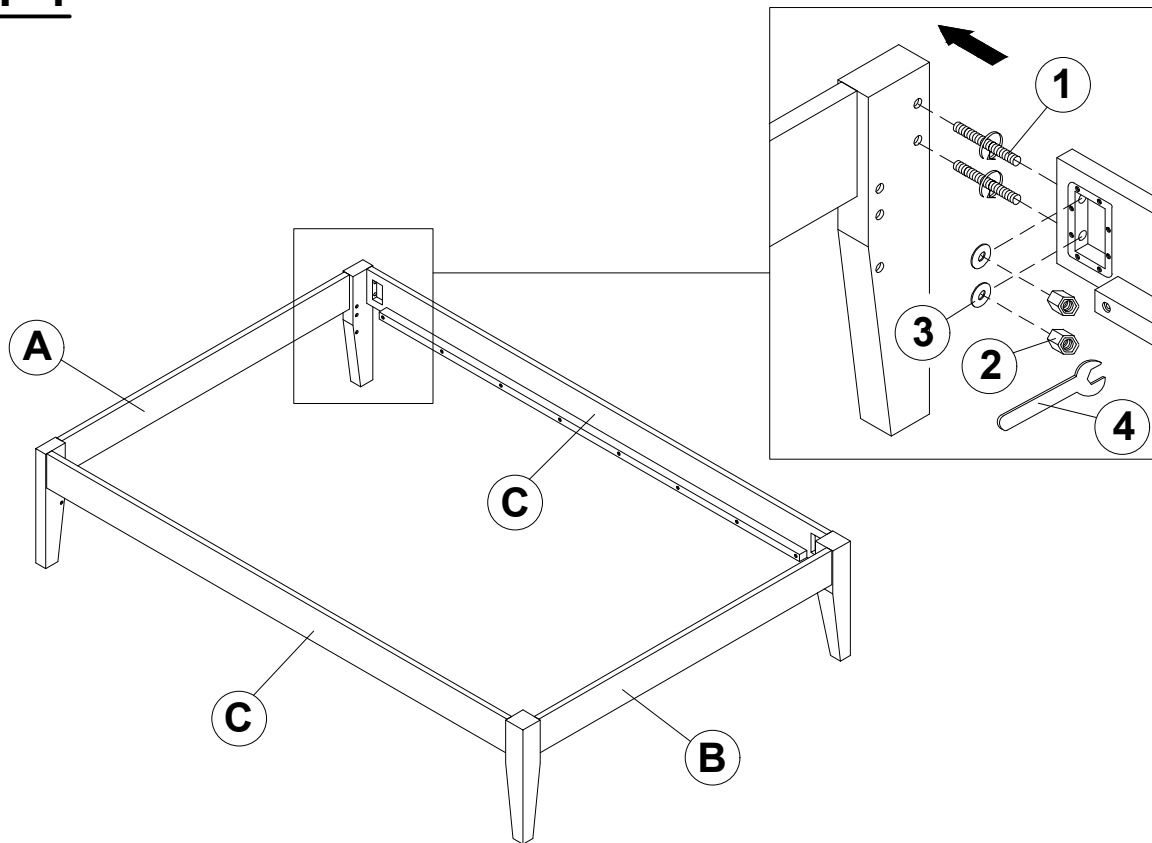
Phillips head screw driver is required in the assembly process; however, manufacturer does not provide this item.

ITEM: 306129T (B1&B2)

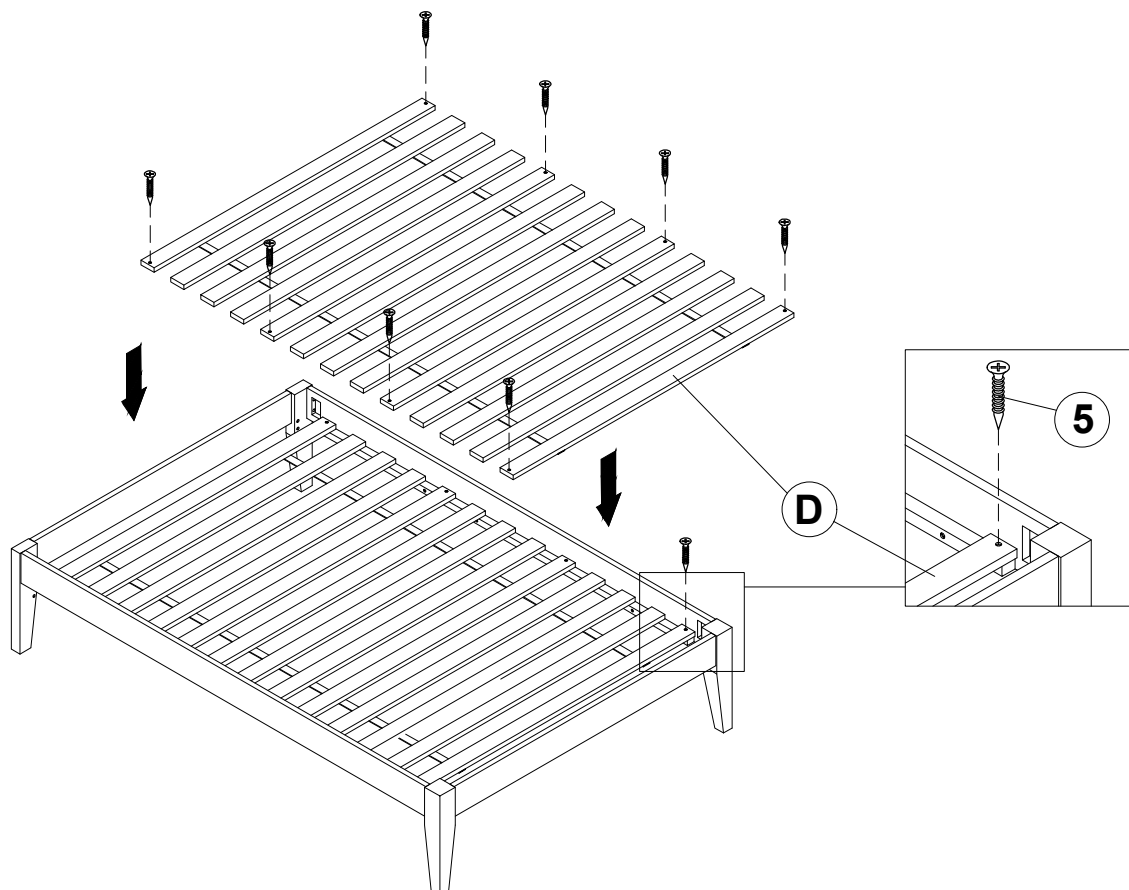
ASSEMBLY INSTRUCTIONS



STEP 1



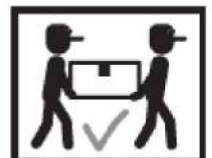
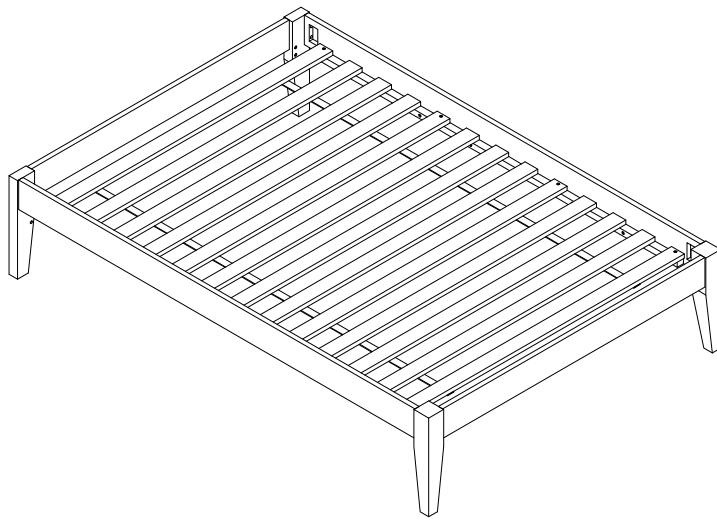
STEP 2



ITEM: **306129T (B1&B2)**
ASSEMBLY INSTRUCTIONS



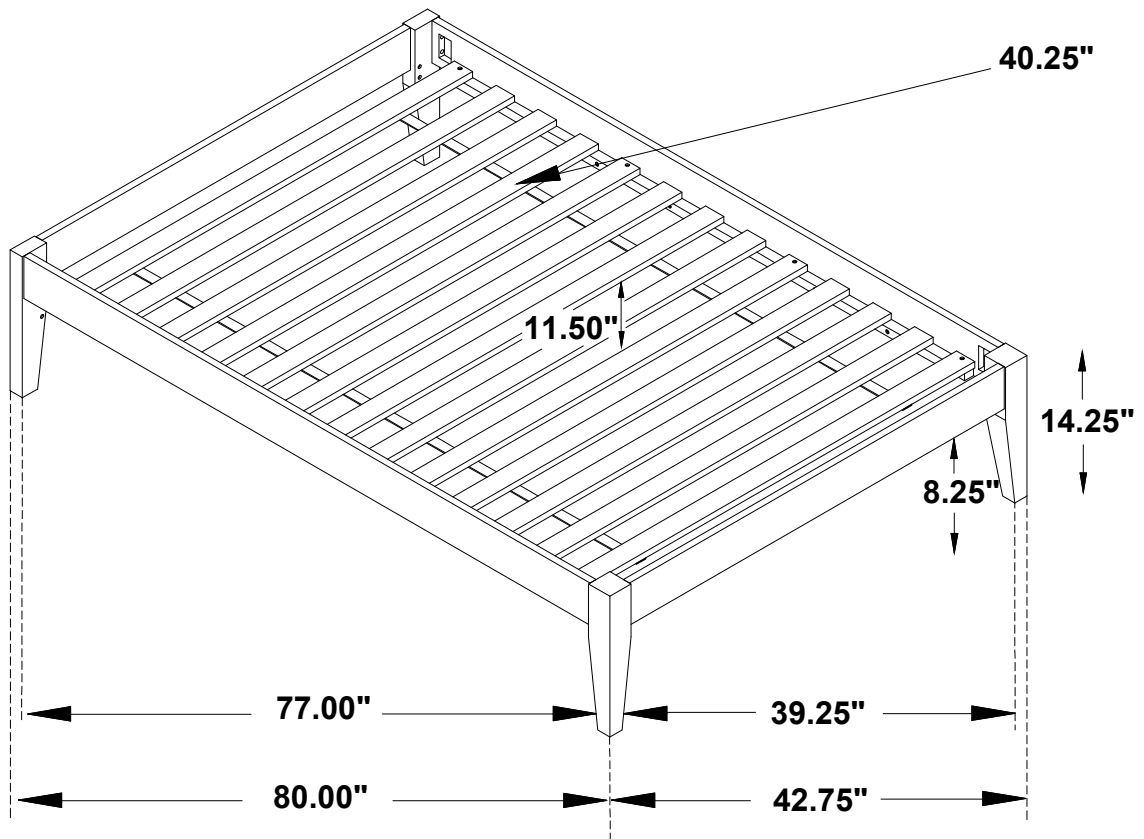
STEP 3
COMPLETE



ITEM: **306129T (B1&B2)**



Inner Size: 40.50"W X 76.00"D



Note: Dimension tolerance $\pm 5\%$