



*ASSEMBLY INSTRUCTIONS
COASTER FINE FURNITURE*



Fine Furniture for every stage of life

552082

CORNER

ITEM: 552082

ASSEMBLY INSTRUCTIONS



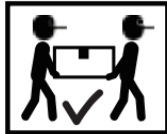
ASSEMBLY TIPS:

- 1. Remove hardware from box and sort by size.
- 2. Please check to see that all hardware and parts are present prior to start of assembly.
- 3. Please follow attached instructions in the same sequence as numbered to assure fast & easy assembly.



WARNING!

- 1. Don't attempt to repair or modify parts that are broken or defective. Please contact the store immediately.
- 2. This product is for home use only and not intended for commercial establishments.



ASSEMBLY TIME 5 MINUTES

PARTS IDENTIFICATION

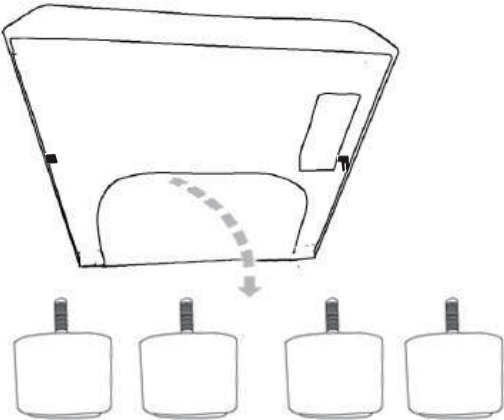
	PART NAME	FIGURE	QUANTITY
A	CORNER		1PC
B	LEG		4PCS

ITEM: 552082

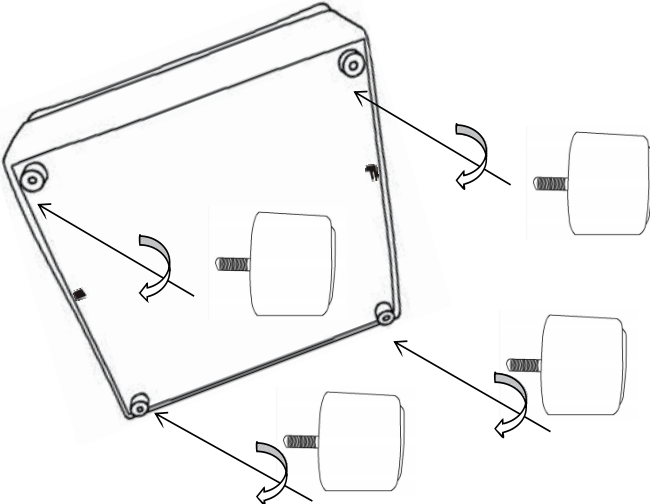
ASSEMBLY INSTRUCTIONS



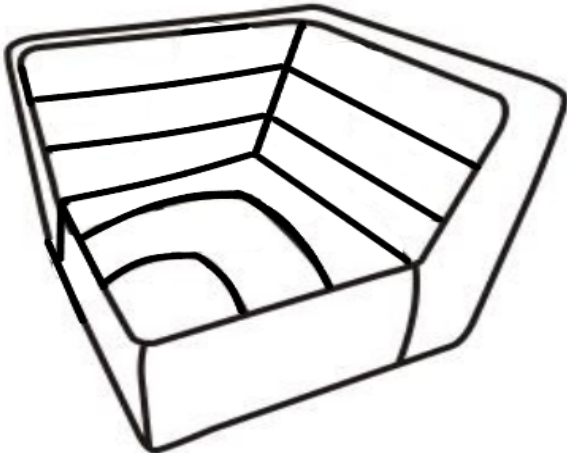
STEP 1



STEP 2



STEP 3
COMPLETE

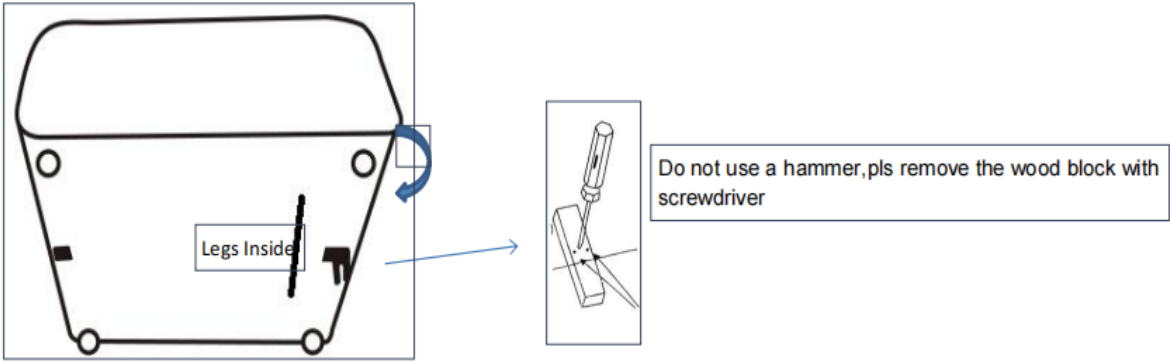


ITEM: 552082

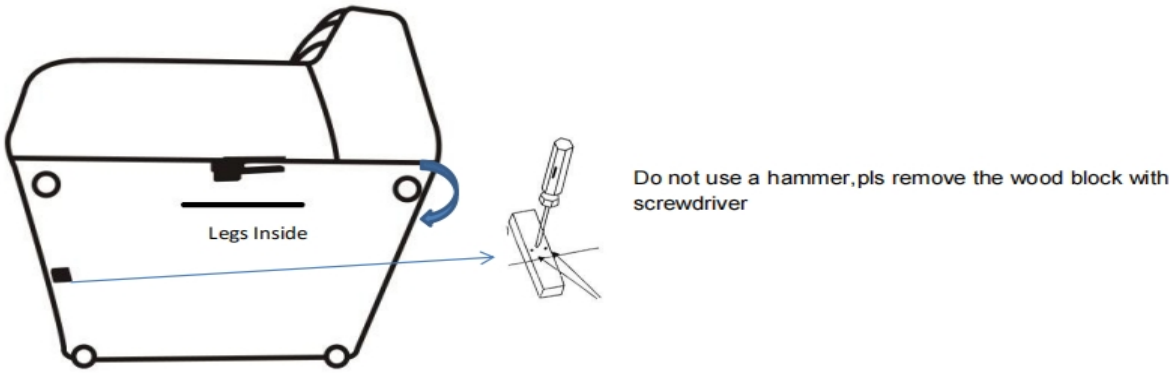
ASSEMBLY INSTRUCTIONS



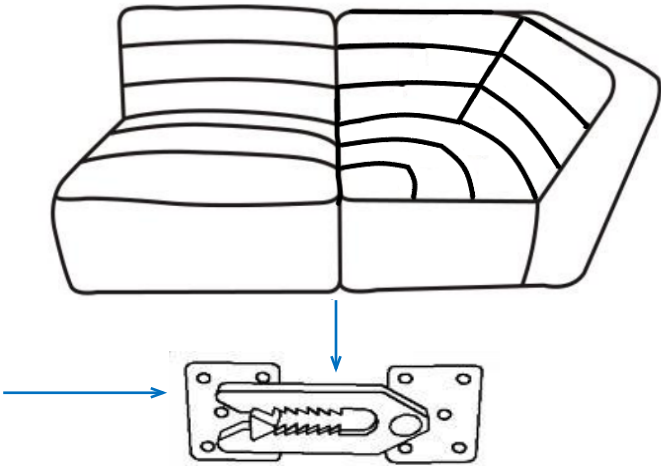
STEP 1 Turn over the item and take out the legs from zippered pouch and install the legs as pictures show



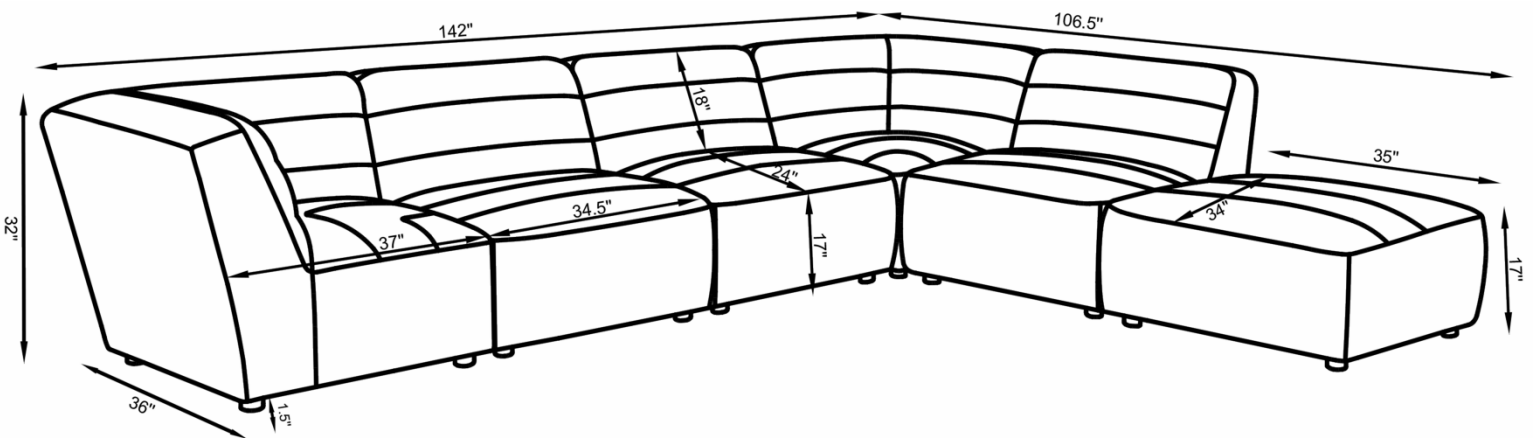
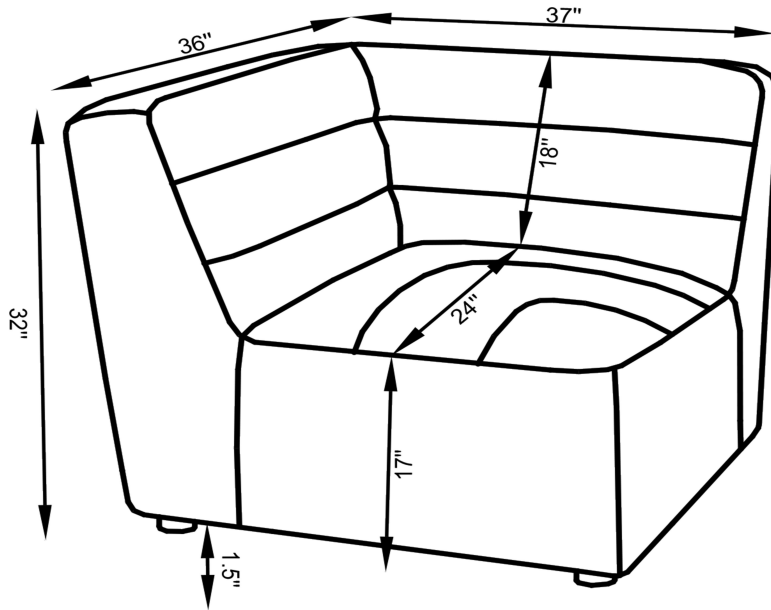
STEP 2



STEP3:Insert the metal grooves to connect other units as pictures show



ITEM: 552082



Note: Dimension tolerance $\pm 5\%$

