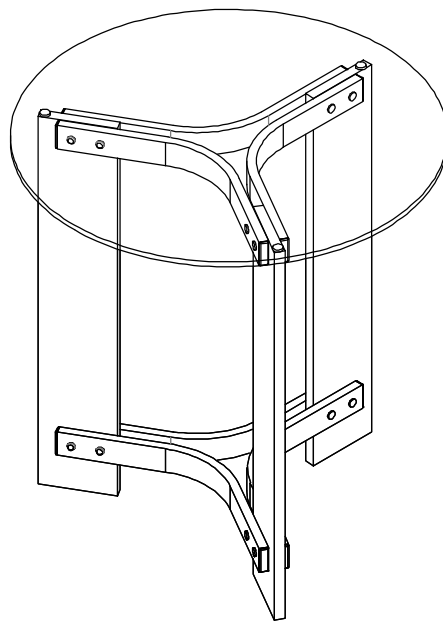


*ASSEMBLY INSTRUCTIONS*  
*COASTER FINE FURNITURE*



*Fine Furniture for every stage of life*

**710067**  
***END TABLE***

ITEM: 710067



# ASSEMBLY INSTRUCTIONS

## ASSEMBLY TIPS:

1. Remove hardware from box and sort by size.
2. Please check to see that all hardware and parts are present prior to start of assembly.
3. Please follow attached instructions in the same sequence as numbered to assure fast & easy assembly.



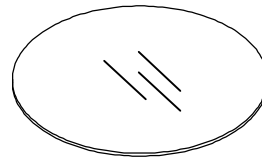
## WARNING!

1. Don't attempt to repair or modify parts that are broken or defective. Please contact the store immediately.
2. This product is for home use only and not intended for commercial establishments.

ASSEMBLY TIME 30 MINUTES

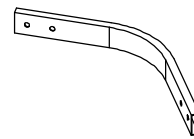
## PARTS IDENTIFICATION

A TOP GLASS



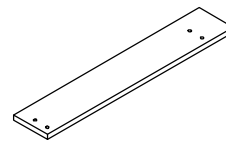
1PC

B CROSSBAR



6PCS

C ACRYLIC LEG



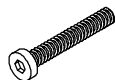
3PCS

Z

## HARDWARE IDENTIFICATION

1

BOLT  
(1/4" x 38mm GD)



12PCS

4

SUCTION CUP  
( $\phi$ 12mm)



6PCS

2

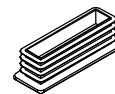
NUT  
( $\phi$ 1/4")



12PCS

5

CAP  
(13 x 38mm GD)



12PCS

3

COVER  
( $\phi$ 11mm)



12PCS

6

ALLEN WRENCH  
(4mm)



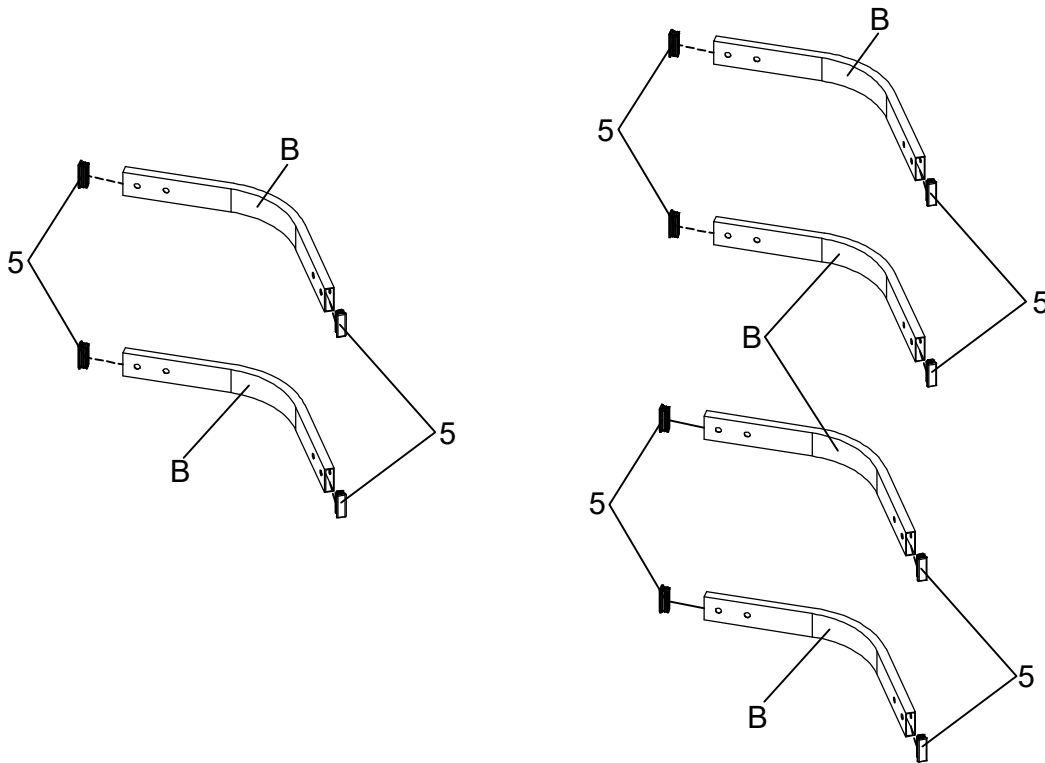
1PC

ITEM: 710067

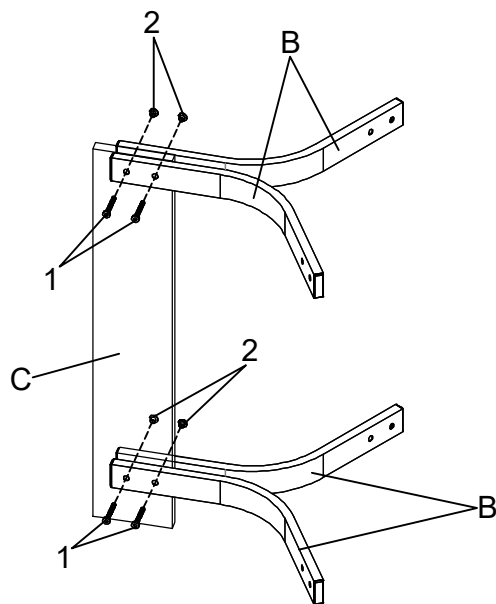


# ASSEMBLY INSTRUCTIONS

**STEP 1** Do not tighten until each step is completed or instructed.



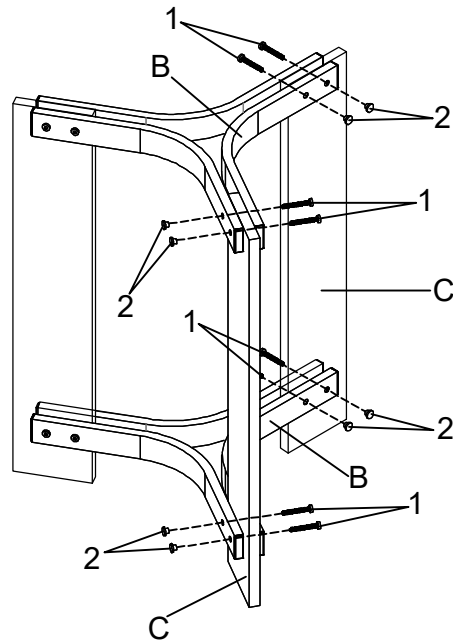
## STEP 2



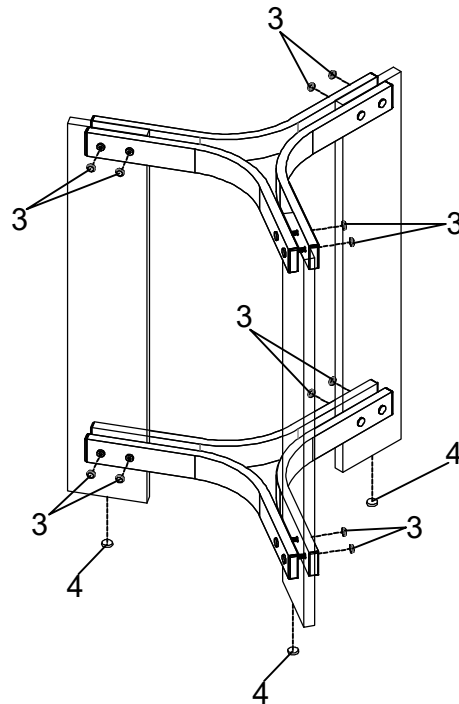
ITEM: 710067

# ASSEMBLY INSTRUCTIONS

## STEP 3



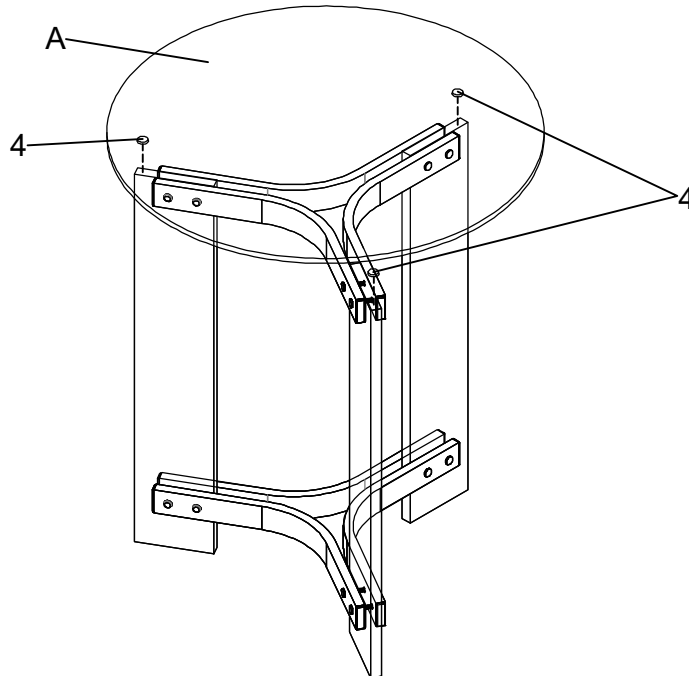
## STEP 4



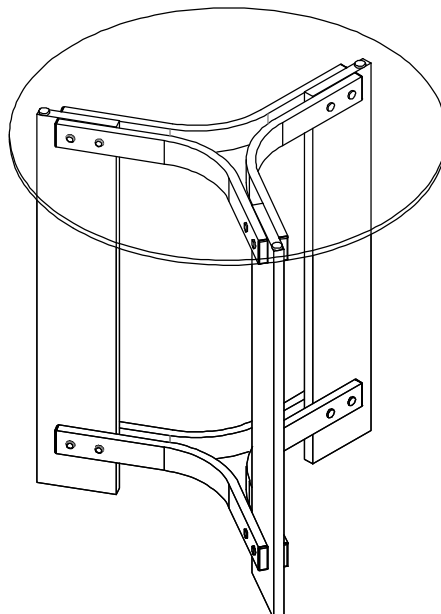
ITEM: 710067

# ASSEMBLY INSTRUCTIONS

## STEP 5



## STEP 6 COMPLETE

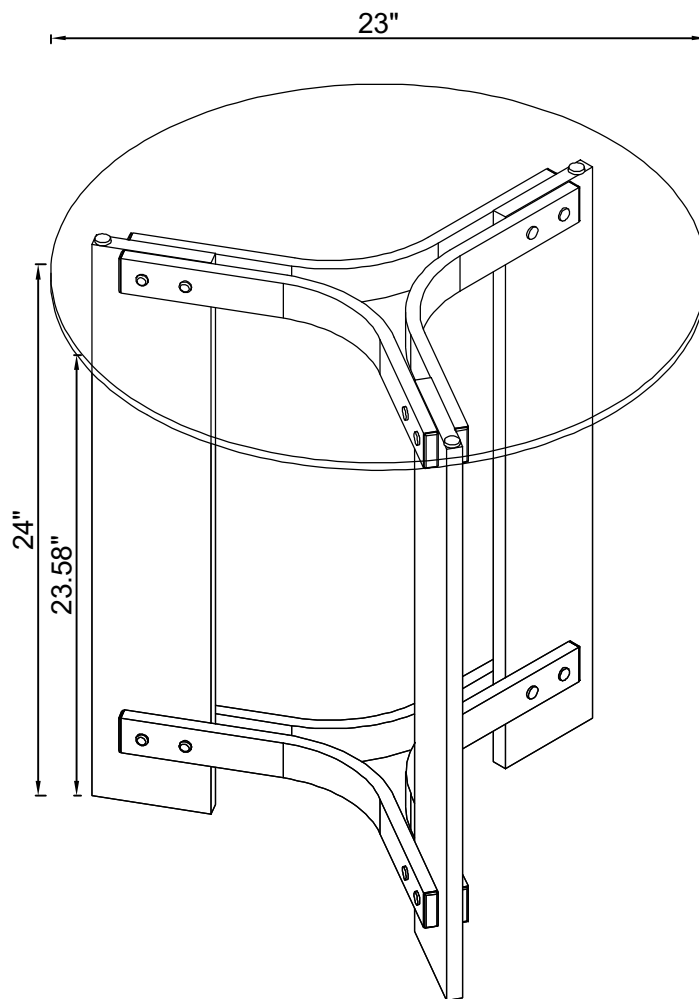


How to clean Acrylic product:  
Using a dry soft microfiber cloth, lightly brush off any dust.  
For additional care, dampen the cloth with warm water.  
For deepest cleaning, use an Acrylic cleaner.

# ITEM:710067 ASSEMBLY INSTRUCTIONS



<b>Product Size : 585 DIA X 610 H (MM)</b>
<b>Product Size : 23" DIA X 24" H</b>



Note : Dimension tolerance  $\pm 5\%$