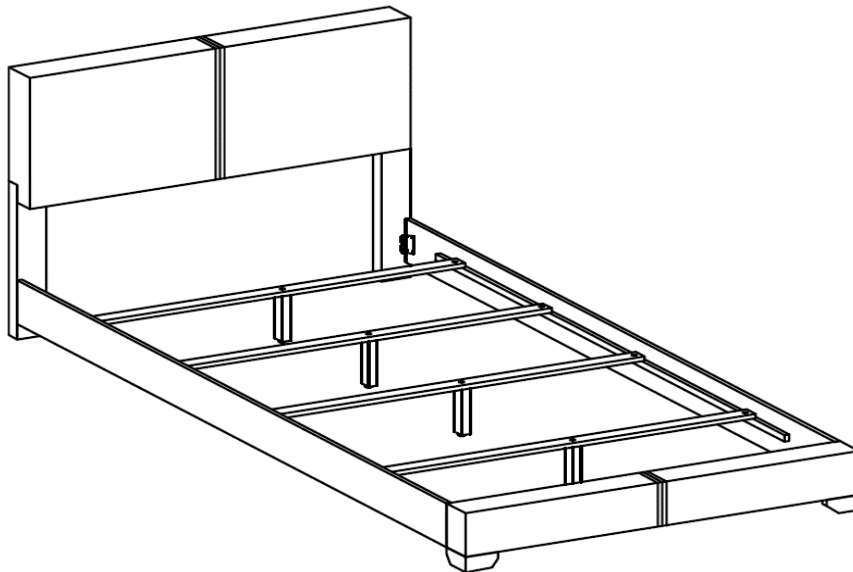


ASSEMBLY INSTRUCTIONS
COASTER FINE FURNITURE



Fine Furniture for every stage of life

300260Q (B1&B2)
Queen Bed

REVISION 0 : 06/12/2011
REVISION 1 : 09/19/2011
REVISION 2 : 02/02/2012
REVISION 3 : 07/30/2014
REVISION 4 : 08/09/2019

ITEM: 300260Q (B1&B2)



ASSEMBLY INSTRUCTIONS

ASSEMBLY TIPS:

1. Remove hardware from box and sort by size.
2. Please check to see that all hardware and parts are present prior to start of assembly.
3. Please follow attached instructions in the same sequence as numbered to assure fast & easy assembly.

WARNING!



1. Don't attempt to repair or modify parts that are broken or defective. Please contact the store immediately.
2. This product is for home use only and not intended for commercial establishments.

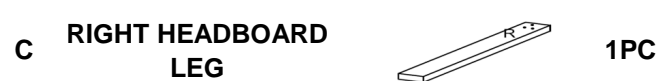
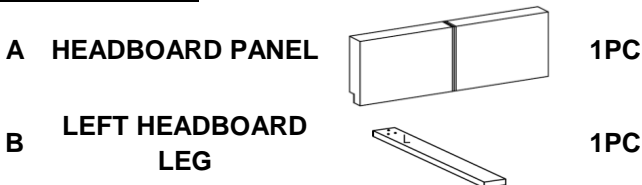


ASSEMBLY TIME

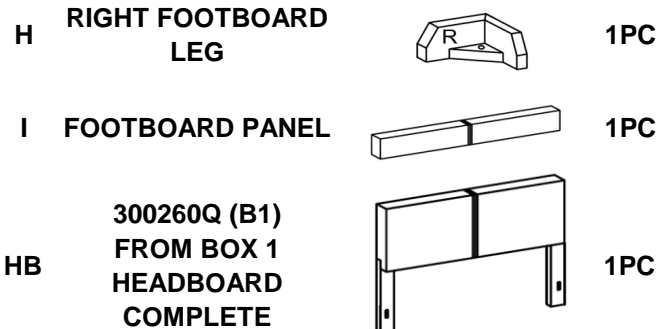
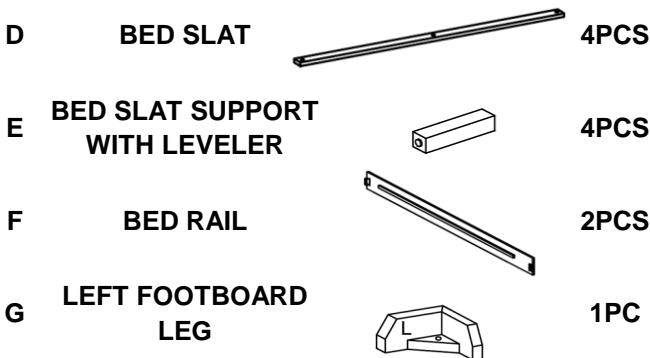
20 MINUTES

PARTS IDENTIFICATION

B1 (BOX 1)

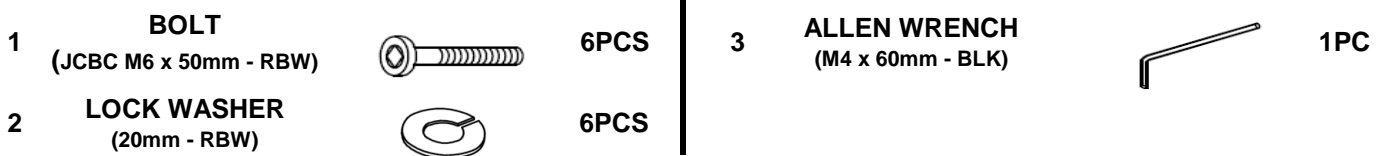


B2 (BOX 2)

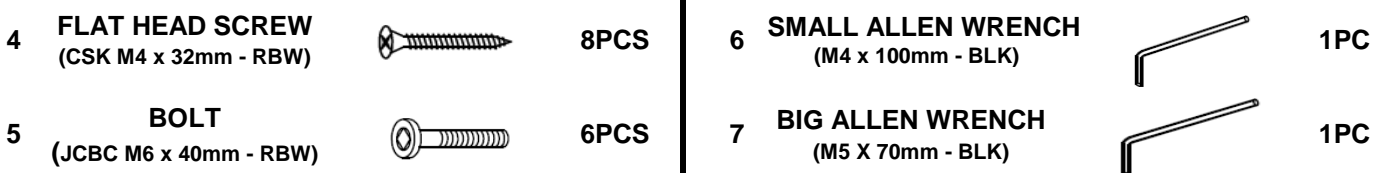


HARDWARE IDENTIFICATION

Z-B1 (BOX 1) - HARDWARE PACK IS LOCATED IN 300260Q (B1)



Z-B2 (BOX 2) - HARDWARE PACK IS LOCATED IN 300260Q (B2)



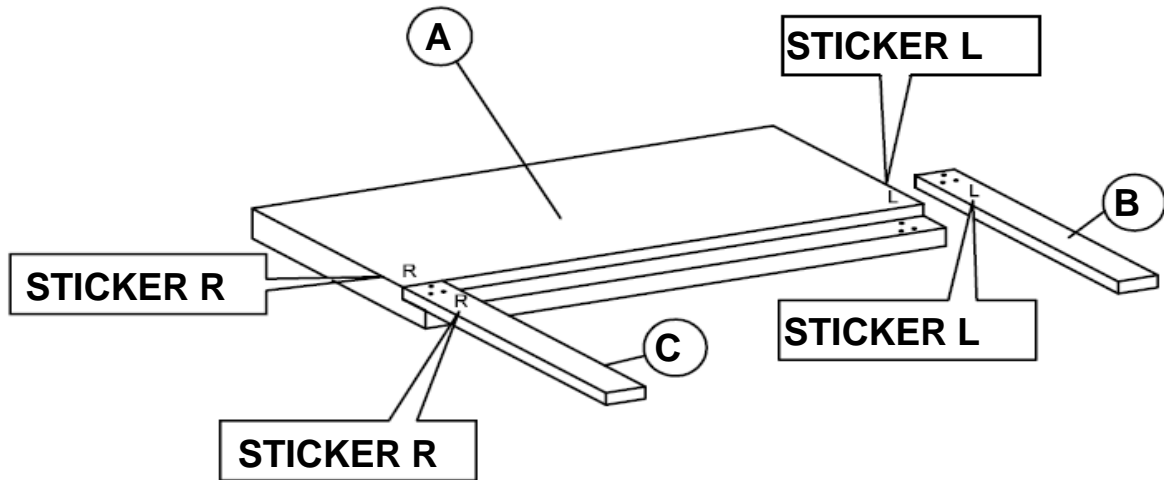
NOTE:

Phillips head screw driver is required in the assembly process; however, manufacturer does not provide this item.

ITEM: 300260Q (B1&B2)

ASSEMBLY INSTRUCTIONS

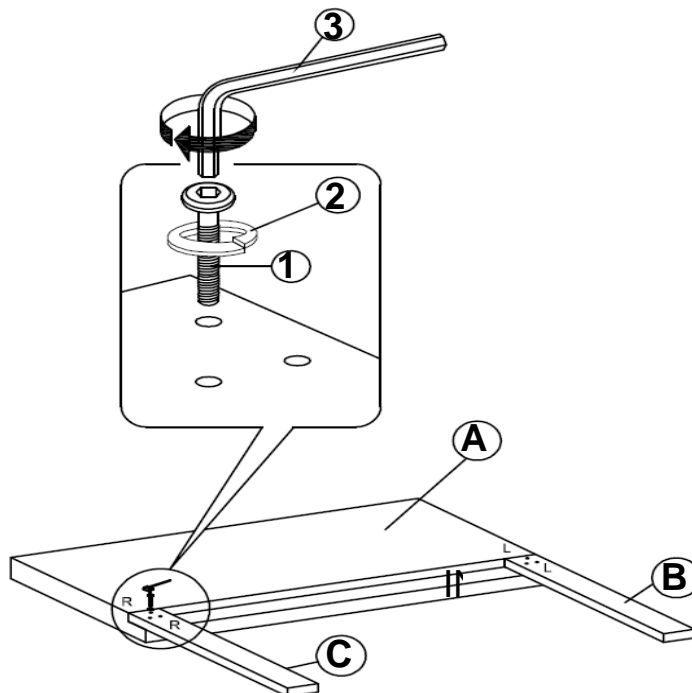
STEP 1



****BACK VIEW**

IF PURCHASE HEADBOARD ONLY, SKIP BELOW STEPS

STEP 2

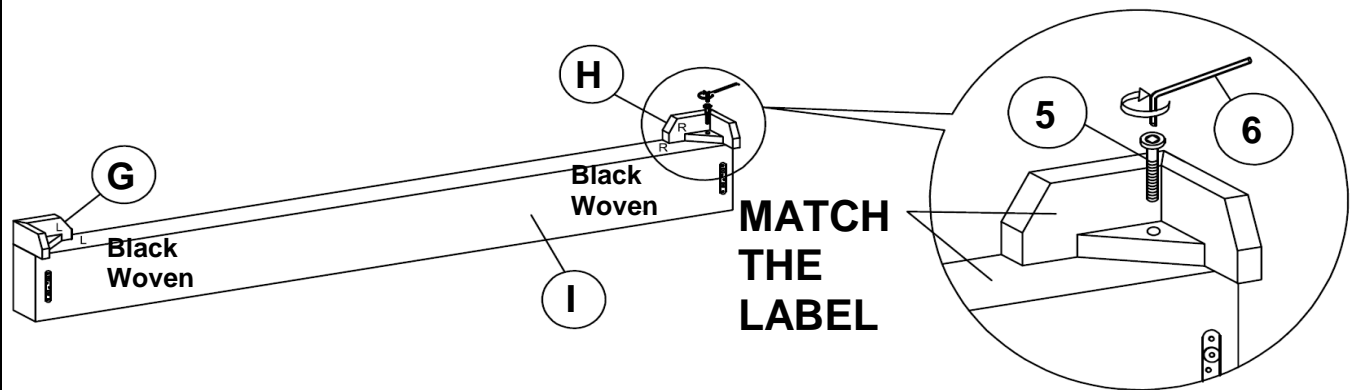


****BACK VIEW**

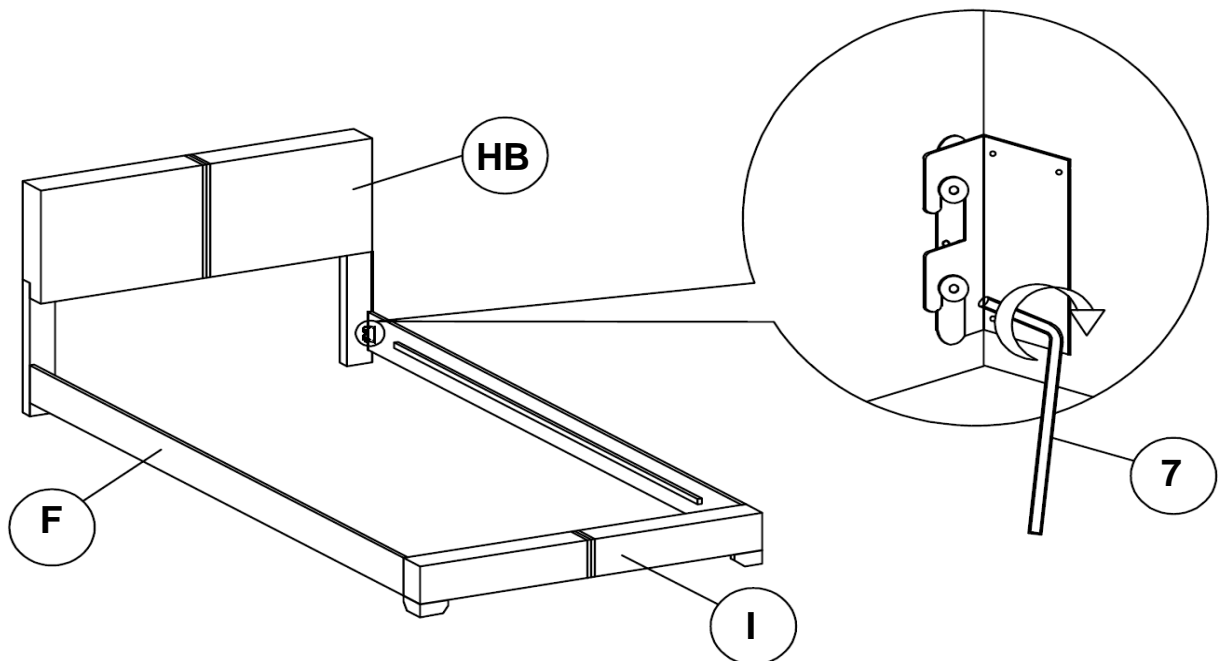
IF PURCHASE HEADBOARD ONLY, SKIP BELOW STEPS

ASSEMBLY INSTRUCTIONS

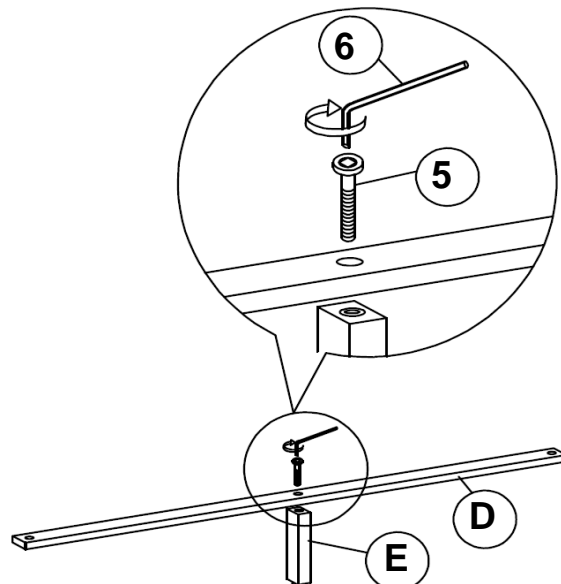
STEP 3



STEP 4



STEP 5

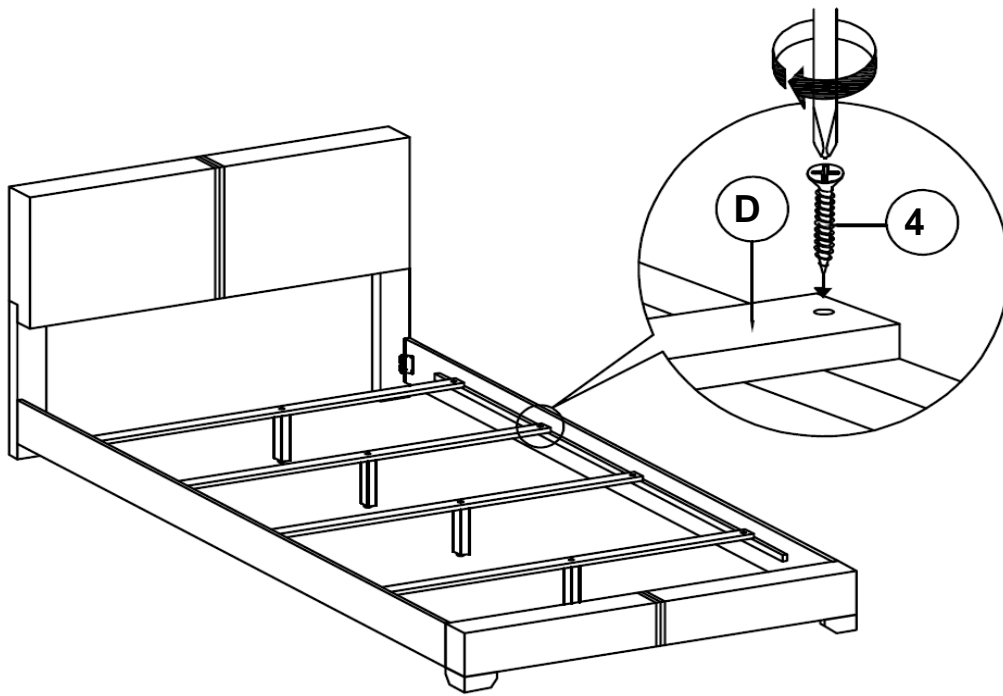


ITEM: **300260Q (B1&B2)**

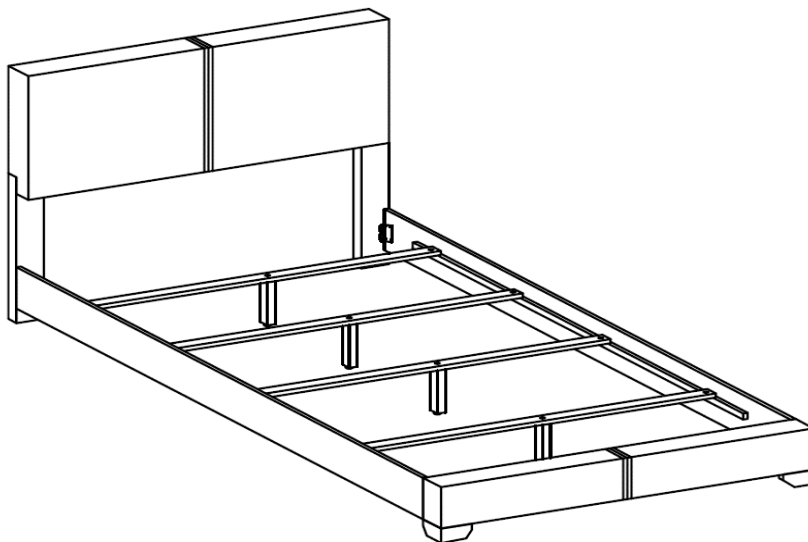


ASSEMBLY INSTRUCTIONS

STEP 6



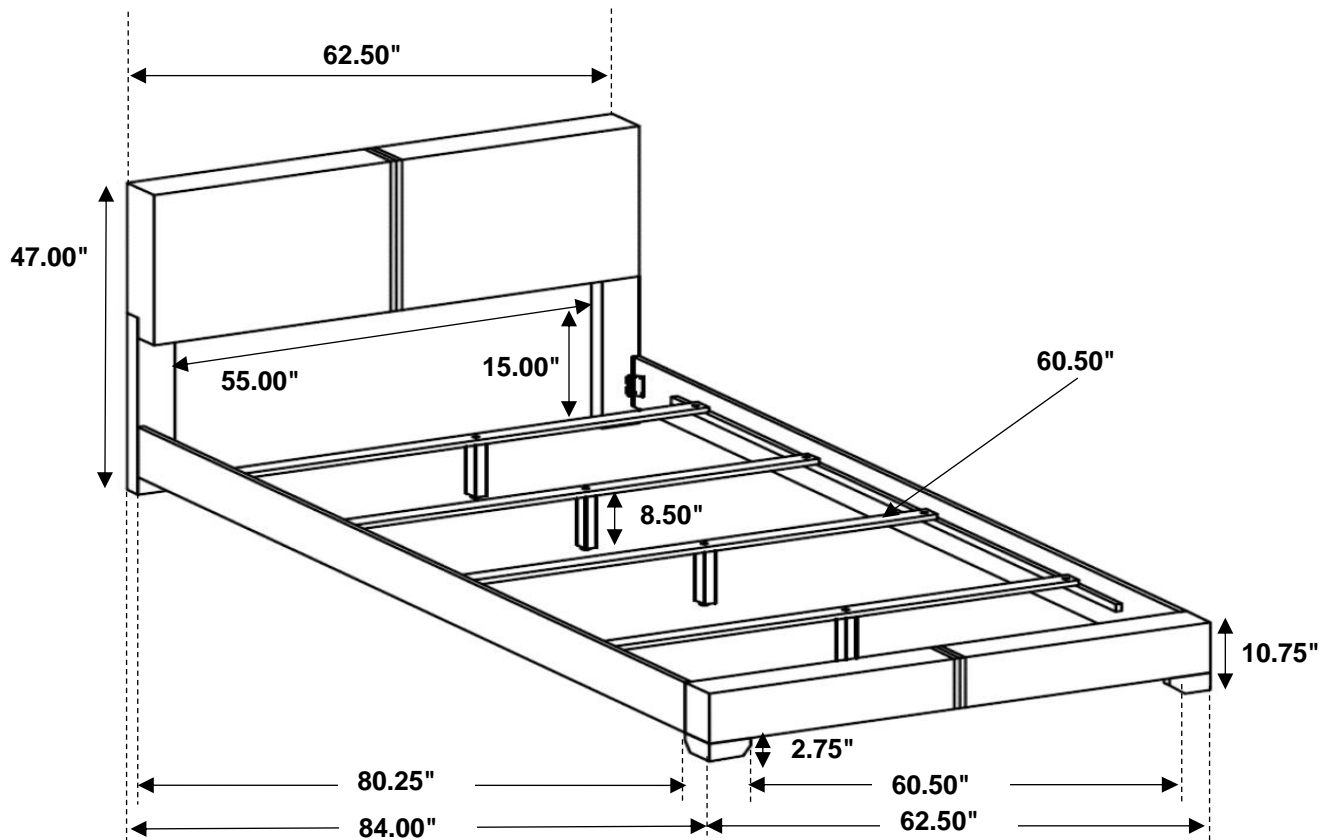
STEP 7
COMPLETE



ITEM: 300260Q (B1&B2)



Inner Size: 60.75"W X 80.25"D



Note: Dimension tolerance $\pm 5\%$