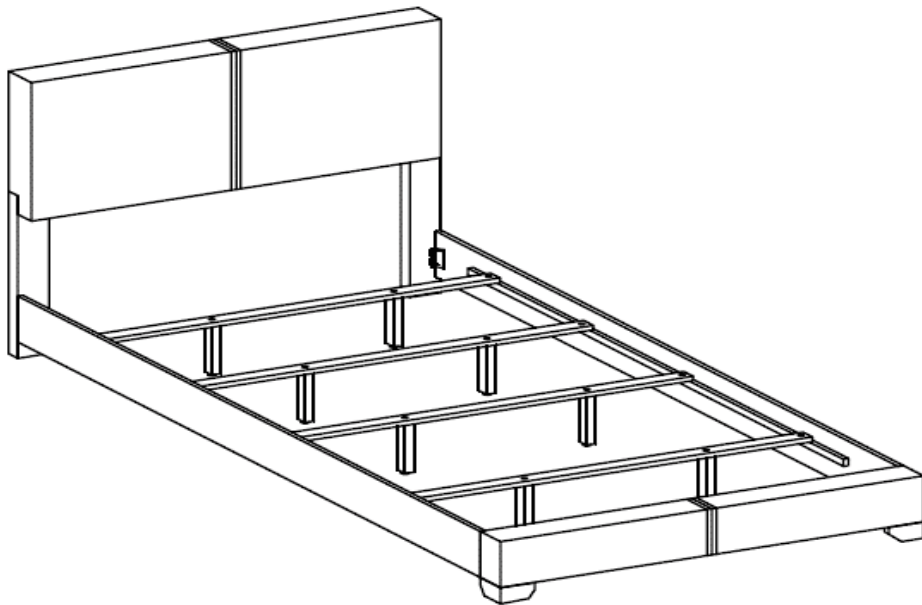


**ASSEMBLY INSTRUCTIONS**  
**COASTER FINE FURNITURE**



*Fine Furniture for every stage of life*

**300261KW (B1&B2)**  
***California King Bed***

# ITEM: 300261KW (B1&B2)



## ASSEMBLY INSTRUCTIONS

### ASSEMBLY TIPS:

1. Remove hardware from box and sort by size.
2. Please check to see that all hardware and parts are present prior to start of assembly.
3. Please follow attached instructions in the same sequence as numbered to assure fast & easy assembly.

### WARNING!



1. Don't attempt to repair or modify parts that are broken or defective. Please contact the store immediately.
2. This product is for home use only and not intended for commercial establishments.

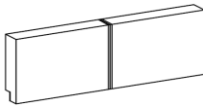
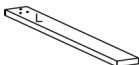



ASSEMBLY TIME

20 MINUTES


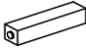

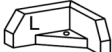
## PARTS IDENTIFICATION



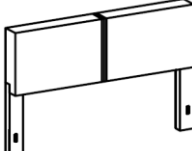
### B1 ( BOX 1 )

- |   |                    |   |     |
|---|--------------------|---|-----|
| A | HEADBOARD PANEL    |  | 1PC |
| B | LEFT HEADBOARD LEG |  | 1PC |

- |   |                     |   |     |
|---|---------------------|---|-----|
| C | RIGHT HEADBOARD LEG |  | 1PC |
|---|---------------------|---|-----|

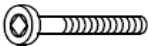
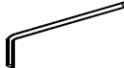

### B2 ( BOX 2 )

- |   |                               |   |      |
|---|-------------------------------|---|------|
| D | BED SLAT                      |  | 4PCS |
| E | BED SLAT SUPPORT WITH LEVELER |  | 8PCS |
| F | BED RAIL                      |  | 2PCS |
| G | LEFT FOOTBOARD LEG            |  | 1PC  |


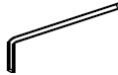
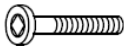
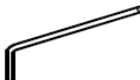
- |    |   |   |     |
|----|---|---|-----|
| H  | RIGHT FOOTBOARD LEG                         |  | 1PC |
| I  | FOOTBOARD PANEL                             |  | 1PC |
| HB | 300261KW (B1) FROM BOX 1 HEADBOARD COMPLETE |  | 1PC |

## HARDWARE IDENTIFICATION

### Z-B1 (BOX 1) - HARDWARE PACK IS LOCATED IN 300261KW (B1)

- |   |                                |   |      |   |                                   |   |     |
|---|--------------------------------|---|------|---|-----------------------------------|---|-----|
| 1 | BOLT<br>(JCBC M6 x 50mm - RBW) |  | 6PCS | 3 | ALLEN WRENCH<br>(M4 x 60mm - BLK) |  | 1PC |
| 2 | LOCK WASHER<br>(20mm - RBW)    |  | 6PCS |   |                                   |   |     |

### Z-B2 (BOX 2) - HARDWARE PACK IS LOCATED IN 300261KW (B2)

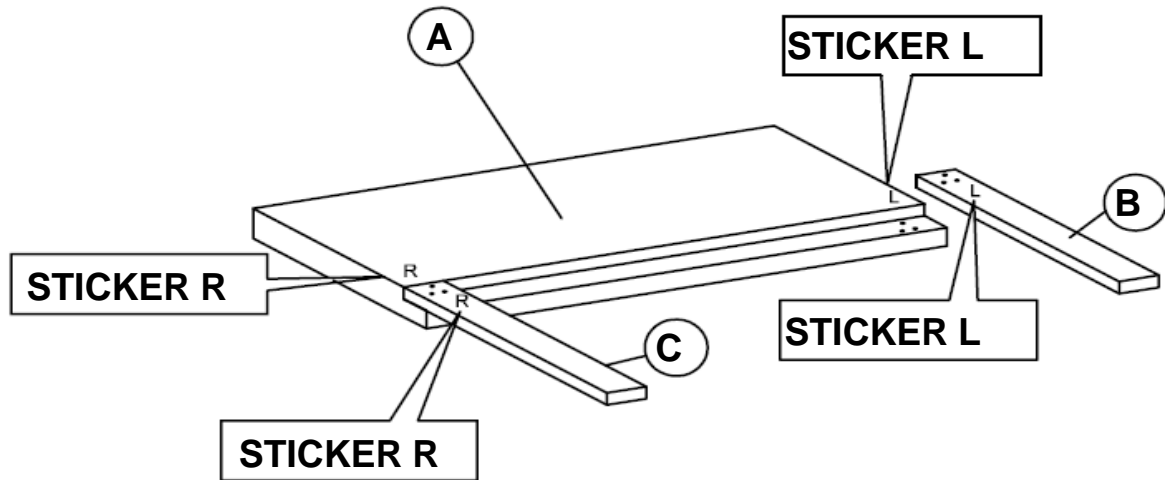
- |   |  |   |       |   |  |   |     |
|---|--|---|-------|---|--|---|-----|
| 4 | FLAT HEAD SCREW<br>(CSK M4 x 32mm - RBW) |  | 8PCS  | 6 | SMALL ALLEN WRENCH<br>(M4 x 100mm - BLK) |  | 1PC |
| 5 | BOLT<br>(JCBC M6 x 40mm - RBW)           |  | 10PCS | 7 | BIG ALLEN WRENCH<br>(M5 X 70mm - BLK)    |  | 1PC |

### NOTE:

Phillips head screw driver is required in the assembly process; however, manufacturer does not provide this item.

**ASSEMBLY INSTRUCTIONS**

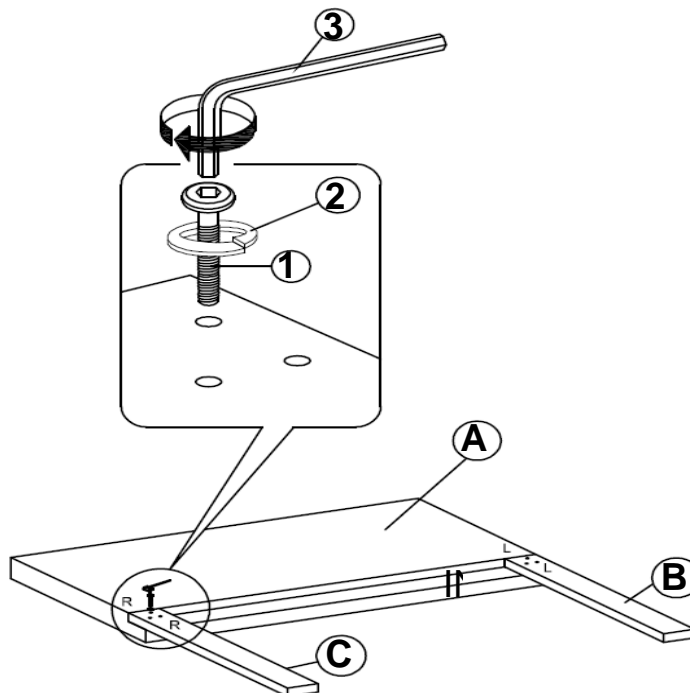
**STEP 1**



**\*\*BACK VIEW**

**IF PURCHASE HEADBOARD ONLY, SKIP BELOW STEPS**

**STEP 2**

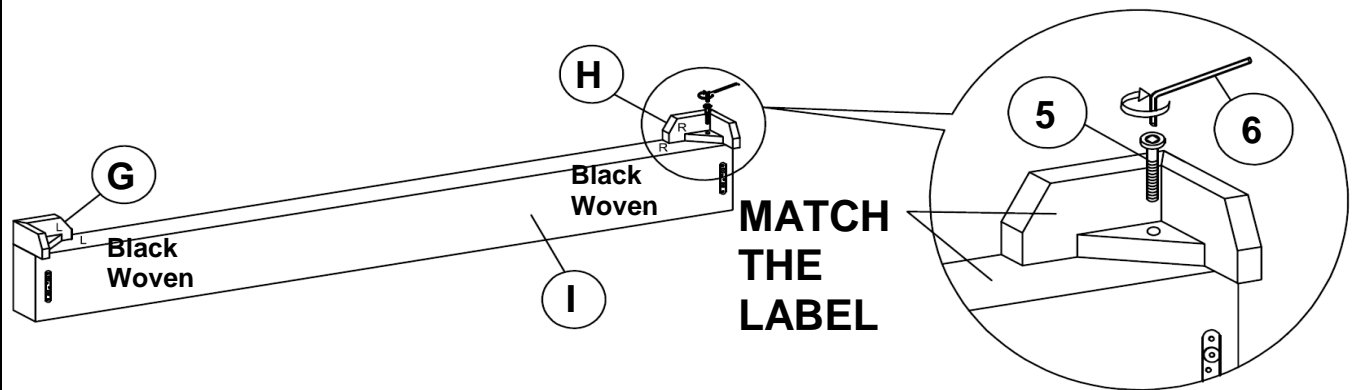


**\*\*BACK VIEW**

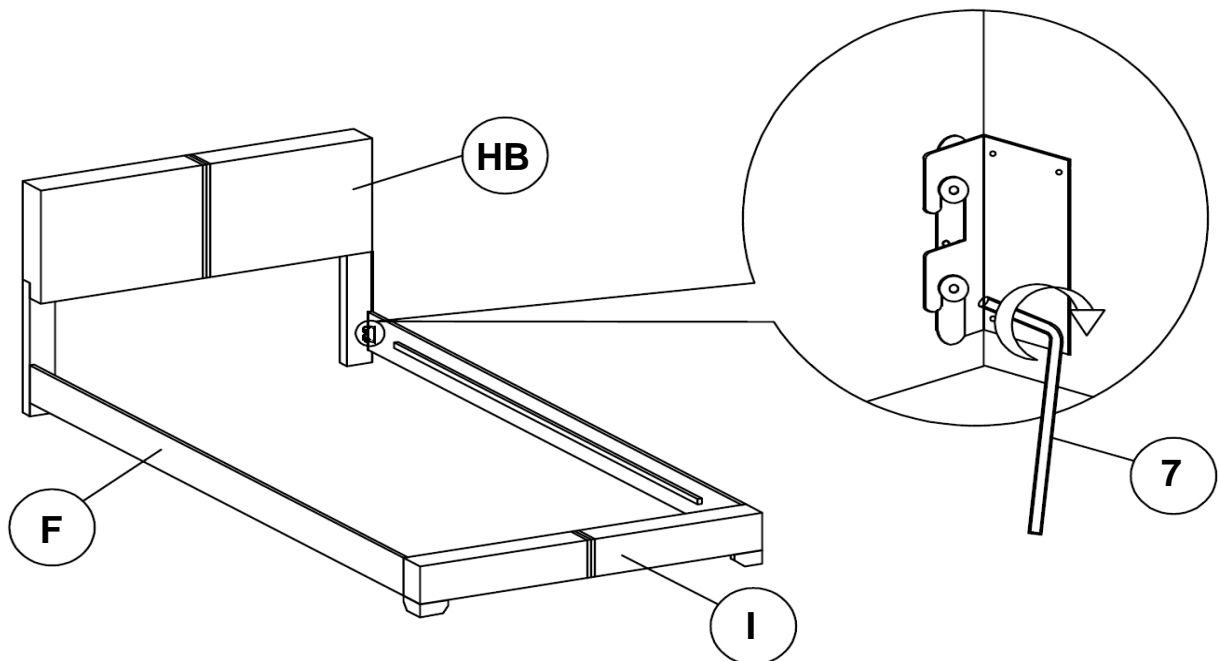
**IF PURCHASE HEADBOARD ONLY, SKIP BELOW STEPS**

**ASSEMBLY INSTRUCTIONS**

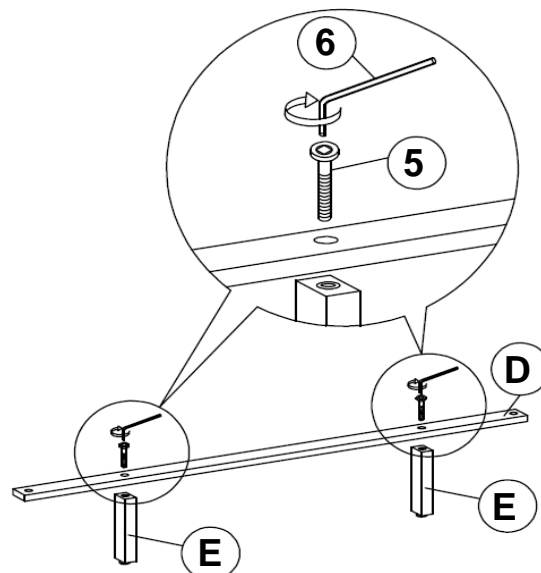
**STEP 3**



**STEP 4**



**STEP 5**

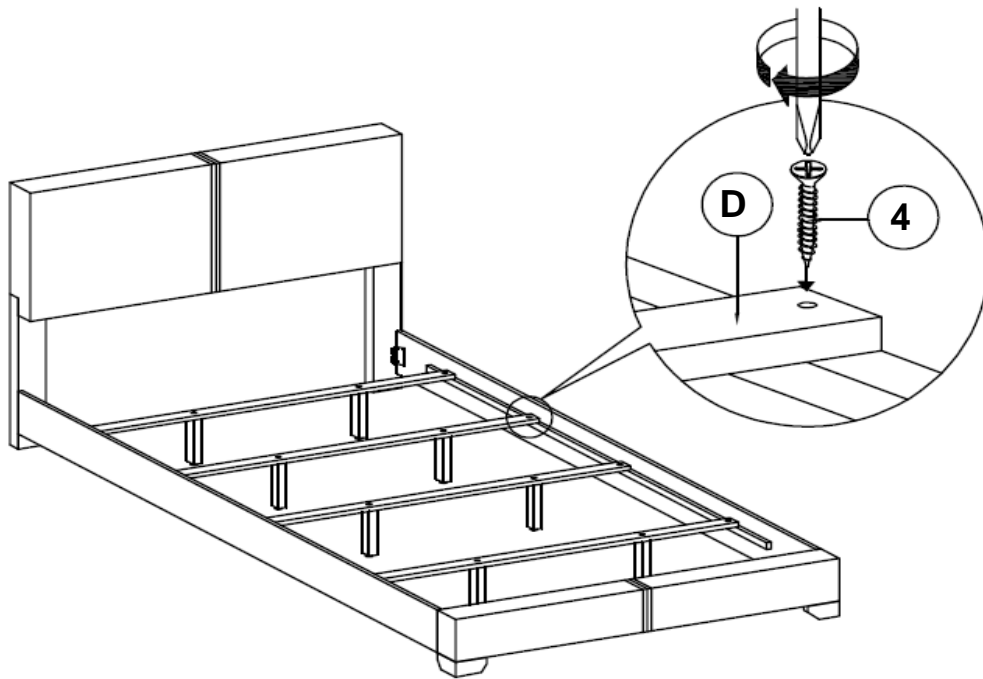


ITEM: **300261KW (B1&B2)**

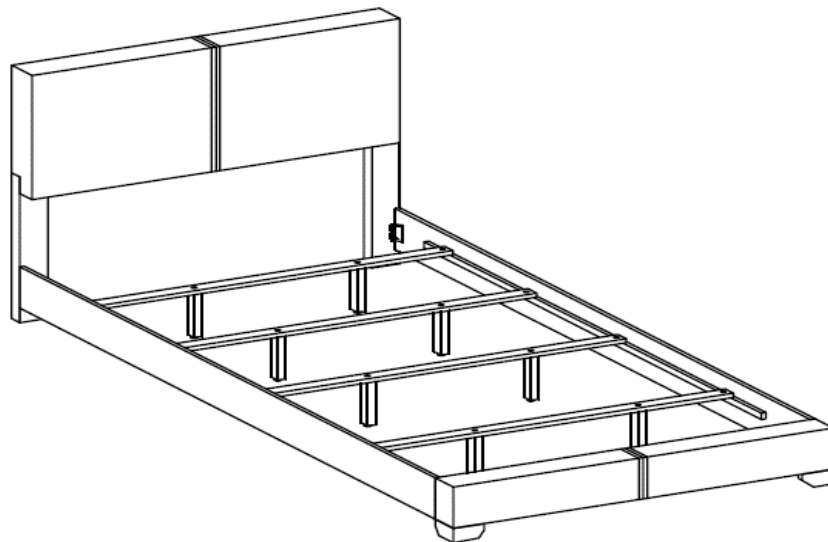


**ASSEMBLY INSTRUCTIONS**

**STEP 6**



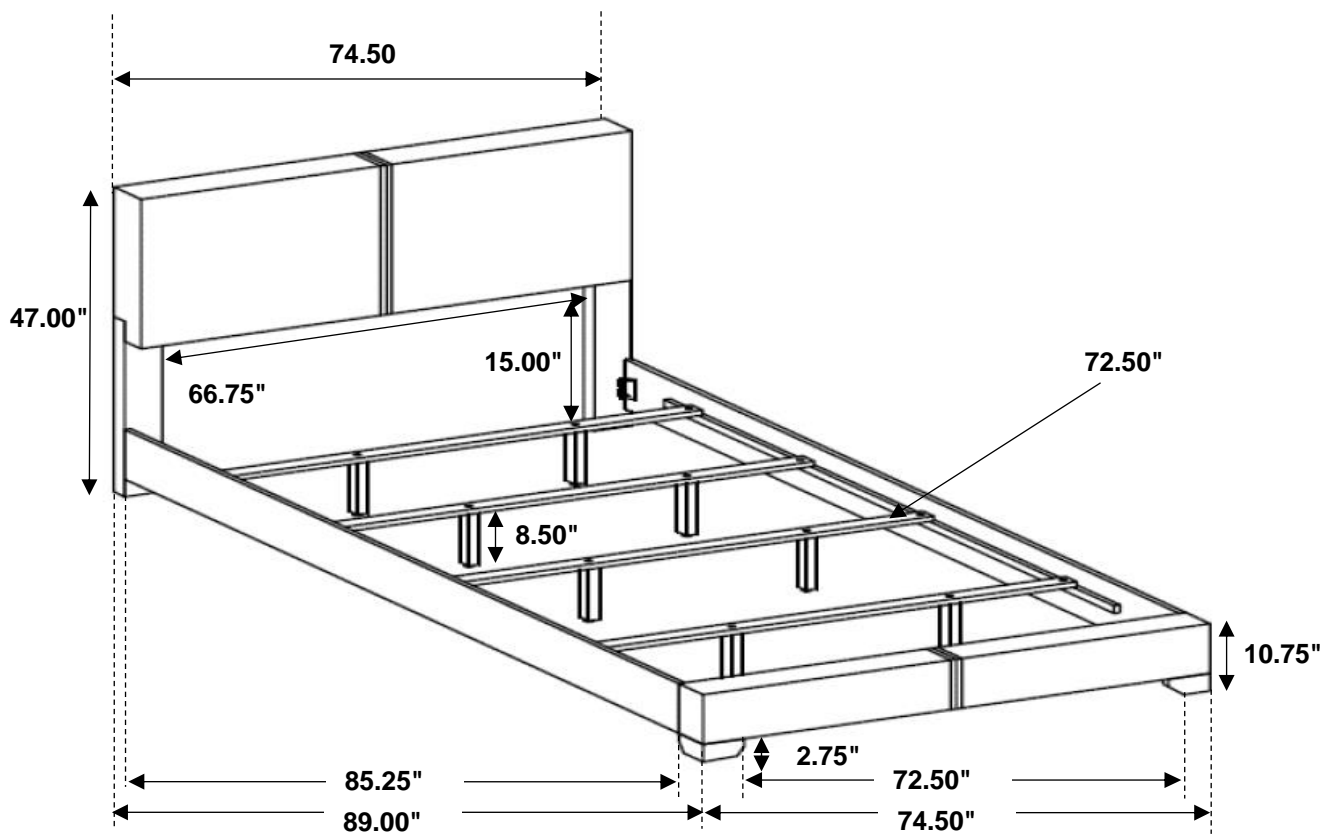
**STEP 7**  
**COMPLETE**



# ITEM: 300261KW (B1&B2)



Inner Size: 72.75"W X 85.25"D



Note: Dimension tolerance  $\pm 5\%$