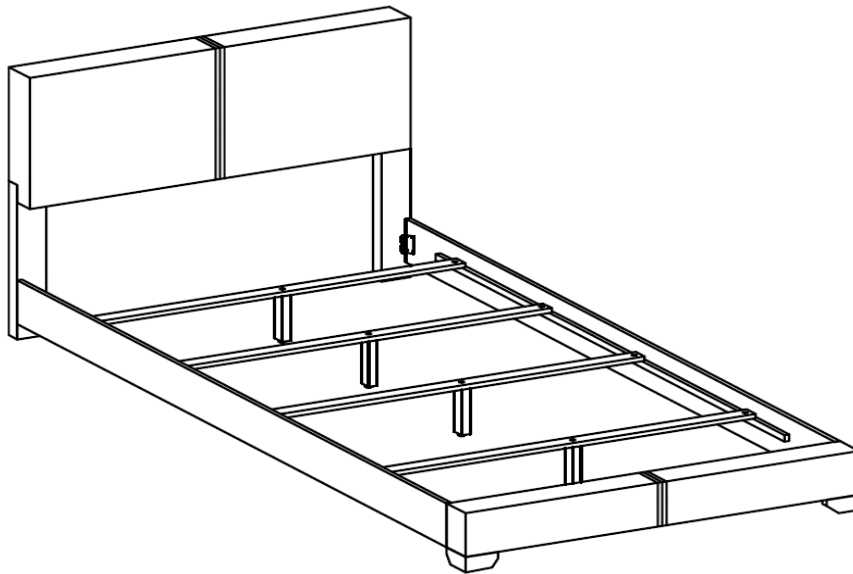


**ASSEMBLY INSTRUCTIONS**  
**COASTER FINE FURNITURE**



*Fine Furniture for every stage of life*

**300261Q (B1&B2)**  
***Queen Bed***

REVISION 0 : 06/12/2011  
REVISION 1 : 09/19/2011  
REVISION 2 : 02/02/2012  
REVISION 3 : 07/30/2014  
REVISION 4 : 08/09/2019

# ITEM: 300261Q (B1&B2)



## ASSEMBLY INSTRUCTIONS

### ASSEMBLY TIPS:

1. Remove hardware from box and sort by size.
2. Please check to see that all hardware and parts are present prior to start of assembly.
3. Please follow attached instructions in the same sequence as numbered to assure fast & easy assembly.

### WARNING!



1. Don't attempt to repair or modify parts that are broken or defective. Please contact the store immediately.
2. This product is for home use only and not intended for commercial establishments.

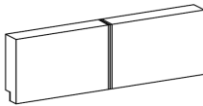
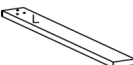


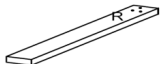
ASSEMBLY TIME

20 MINUTES


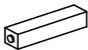

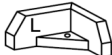
## PARTS IDENTIFICATION



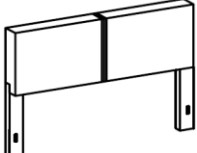
### B1 ( BOX 1 )

A	HEADBOARD PANEL		1PC
B	LEFT HEADBOARD LEG		1PC

C	RIGHT HEADBOARD LEG		1PC
---	---------------------	---	-----

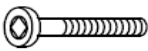
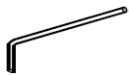

### B2 ( BOX 2 )

D	BED SLAT		4PCS
E	BED SLAT SUPPORT WITH LEVELER		4PCS
F	BED RAIL		2PCS
G	LEFT FOOTBOARD LEG		1PC


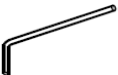
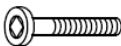
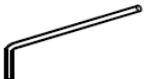
H	RIGHT FOOTBOARD LEG		1PC
I	FOOTBOARD PANEL		1PC
HB	300261Q (B1) FROM BOX 1 HEADBOARD COMPLETE		1PC

## HARDWARE IDENTIFICATION

### Z-B1 (BOX 1) - HARDWARE PACK IS LOCATED IN 300261Q (B1)

1	BOLT (JCBC M6 x 50mm - RBW)		6PCS	3	ALLEN WRENCH (M4 x 60mm - BLK)		1PC
2	LOCK WASHER (20mm - RBW)		6PCS				

### Z-B2 (BOX 2) - HARDWARE PACK IS LOCATED IN 300261Q (B2)

4	FLAT HEAD SCREW (CSK M4 x 32mm - RBW)		8PCS	6	SMALL ALLEN WRENCH (M4 x 100mm - BLK)		1PC
5	BOLT (JCBC M6 x 40mm - RBW)		6PCS	7	BIG ALLEN WRENCH (M5 X 70mm - BLK)		1PC

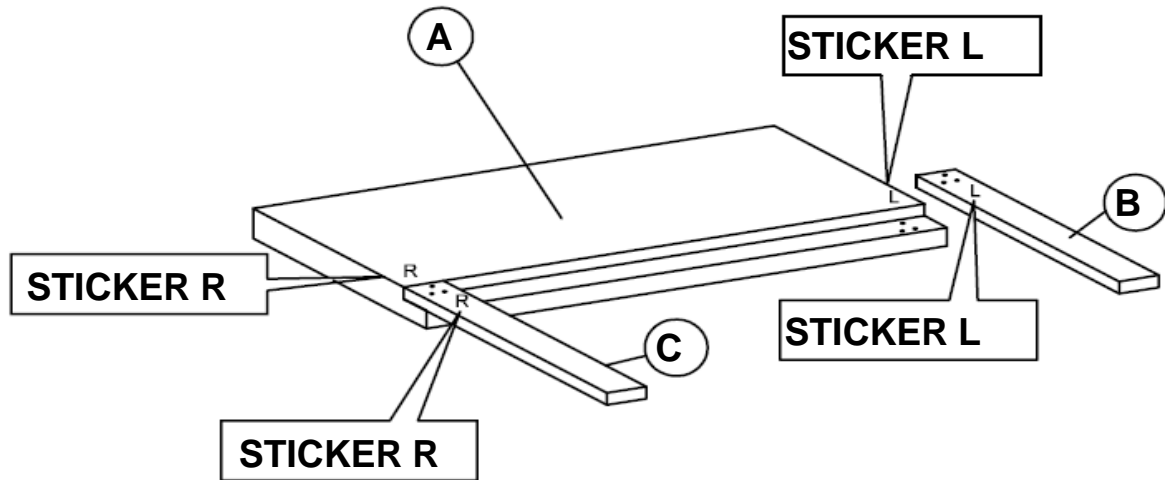
### NOTE:

Phillips head screw driver is required in the assembly process; however, manufacturer does not provide this item.

# ITEM:300261Q (B1&B2)

## ASSEMBLY INSTRUCTIONS

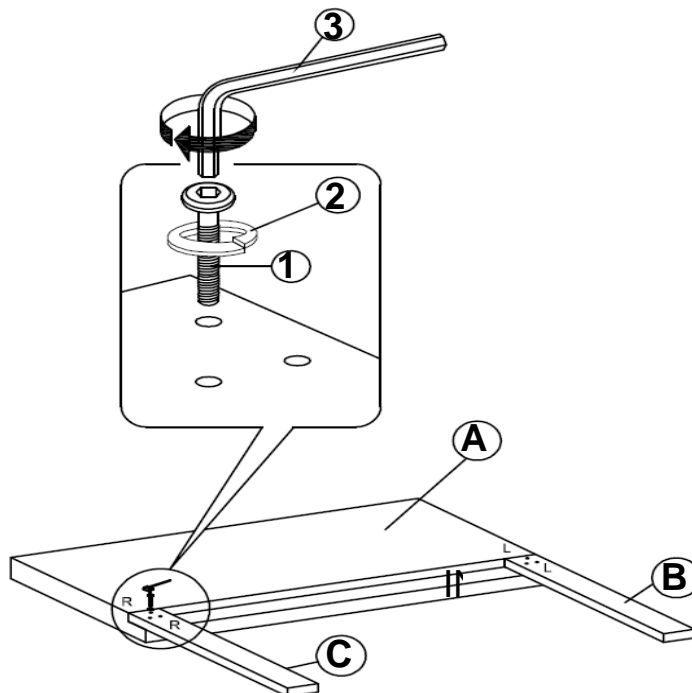
### STEP 1



**\*\*BACK VIEW**

**IF PURCHASE HEADBOARD ONLY, SKIP BELOW STEPS**

### STEP 2

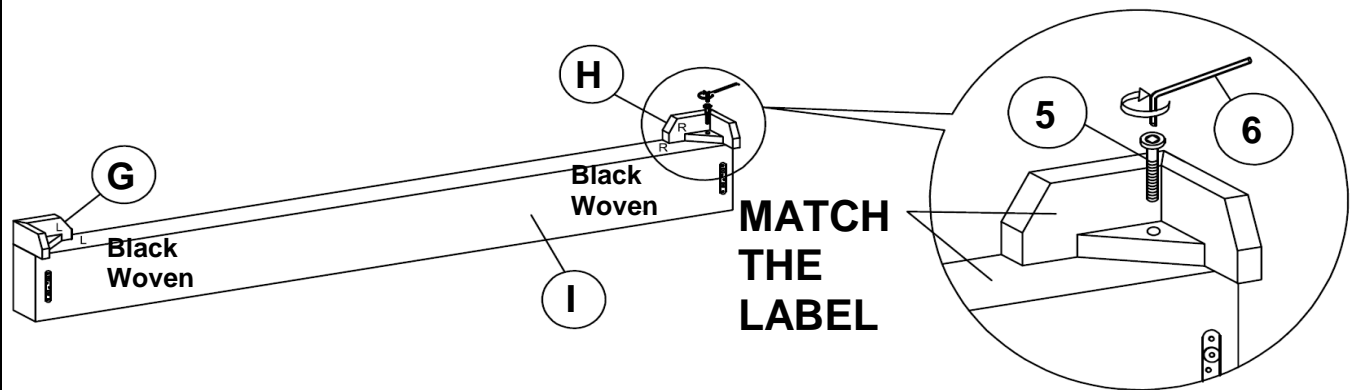


**\*\*BACK VIEW**

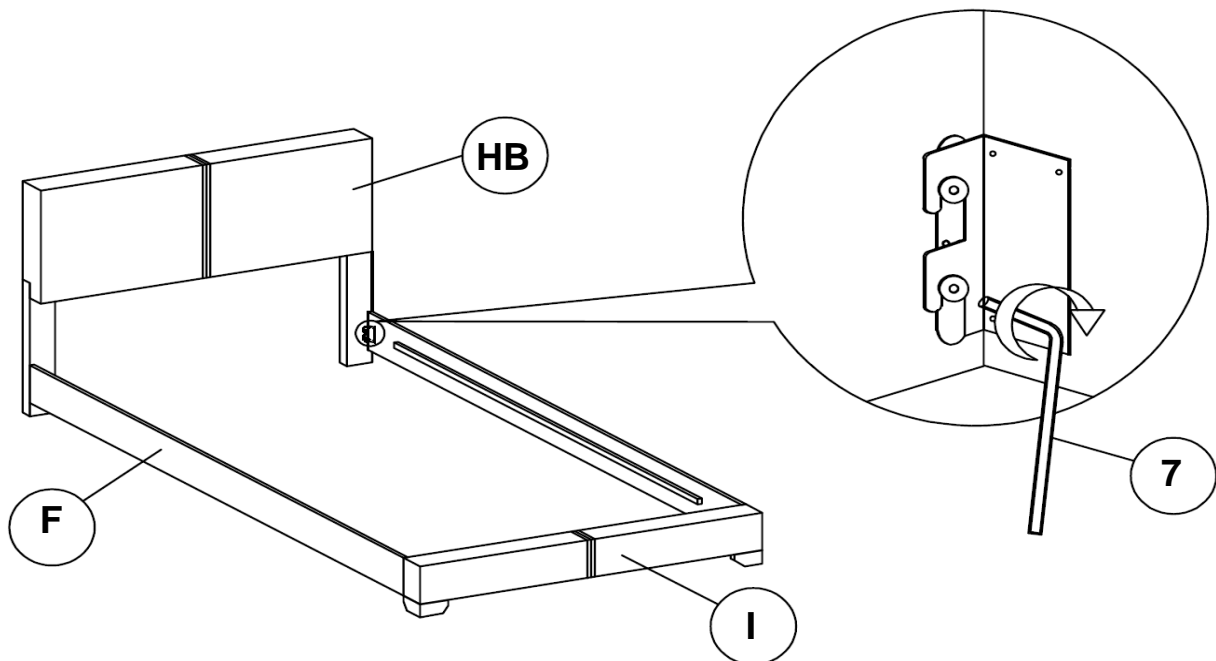
**IF PURCHASE HEADBOARD ONLY, SKIP BELOW STEPS**

ASSEMBLY INSTRUCTIONS

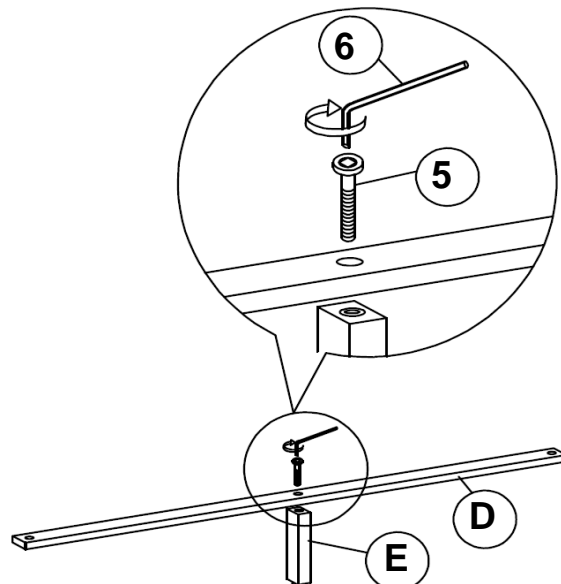
**STEP 3**



**STEP 4**



**STEP 5**

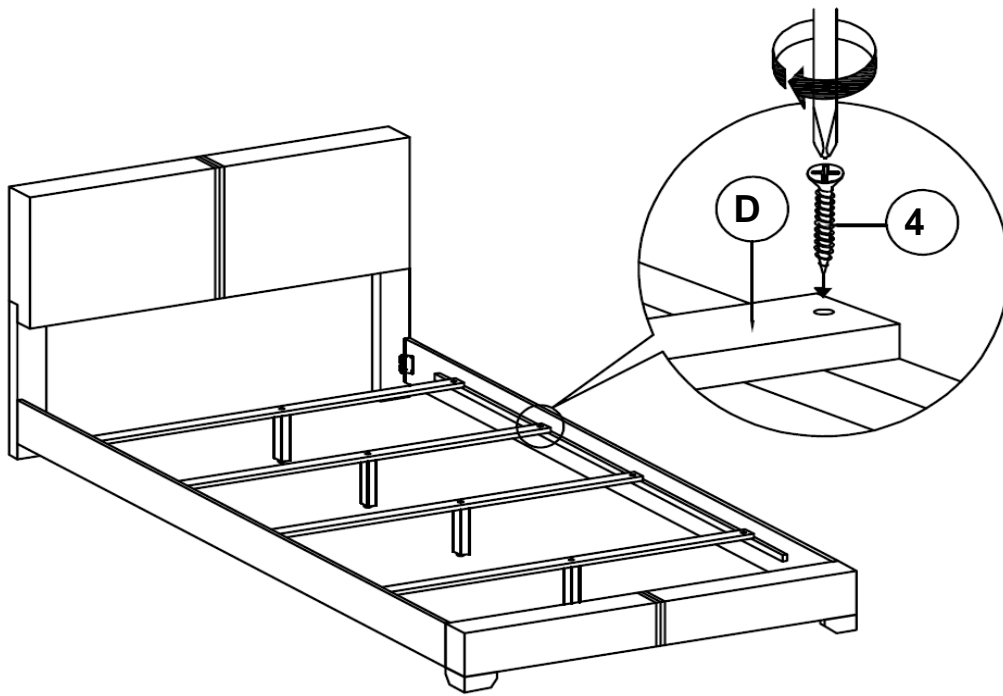


ITEM: **300261Q (B1&B2)**

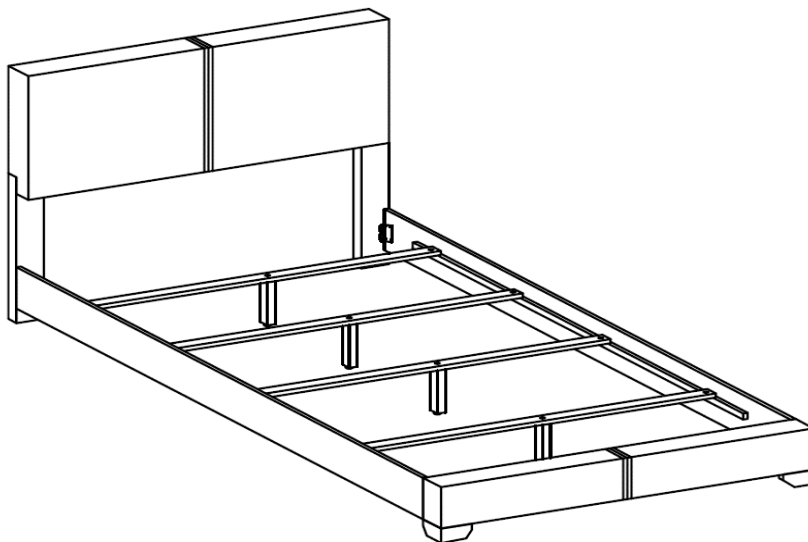


**ASSEMBLY INSTRUCTIONS**

**STEP 6**



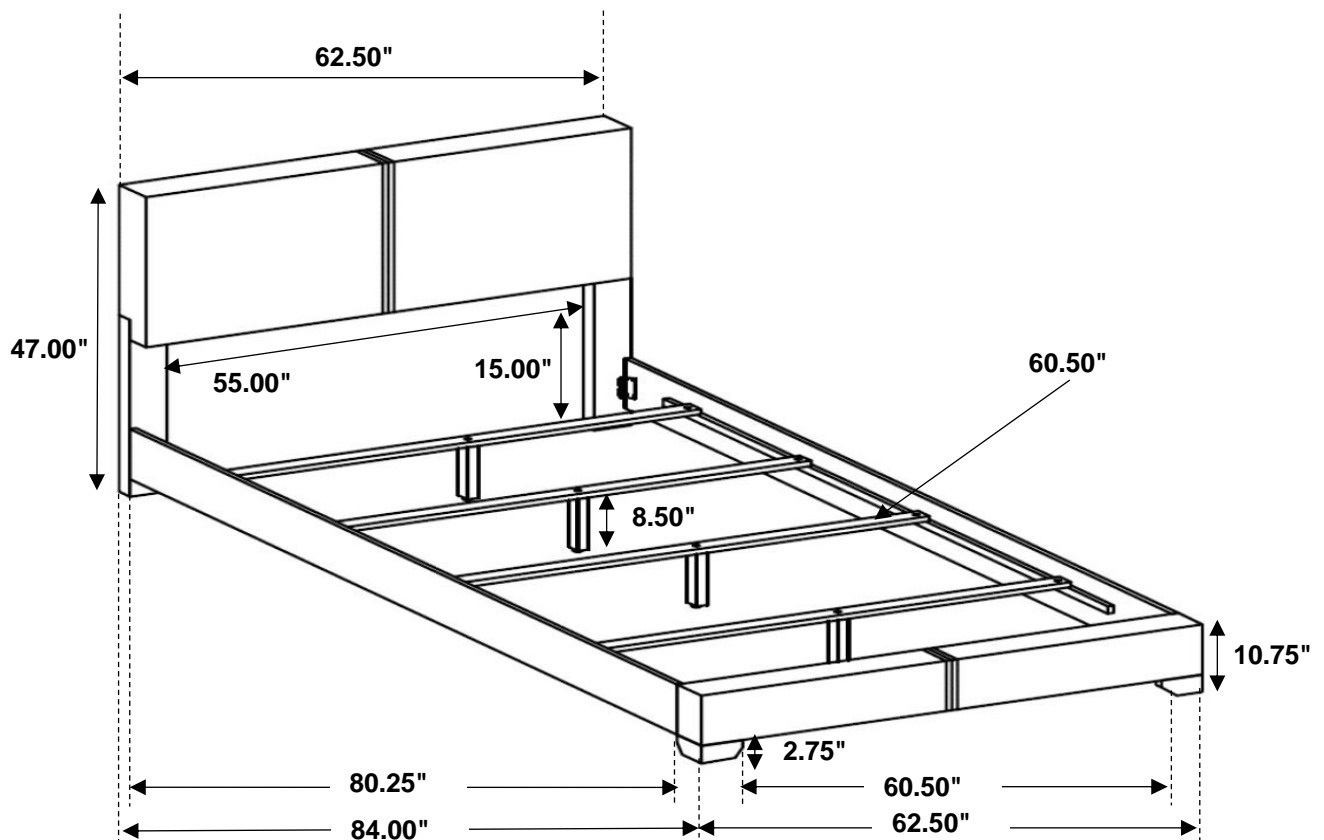
**STEP 7**  
**COMPLETE**



# ITEM:300261Q (B1&B2)



Inner Size: 60.75"W X 80.25"D



Note: Dimension tolerance  $\pm 5\%$