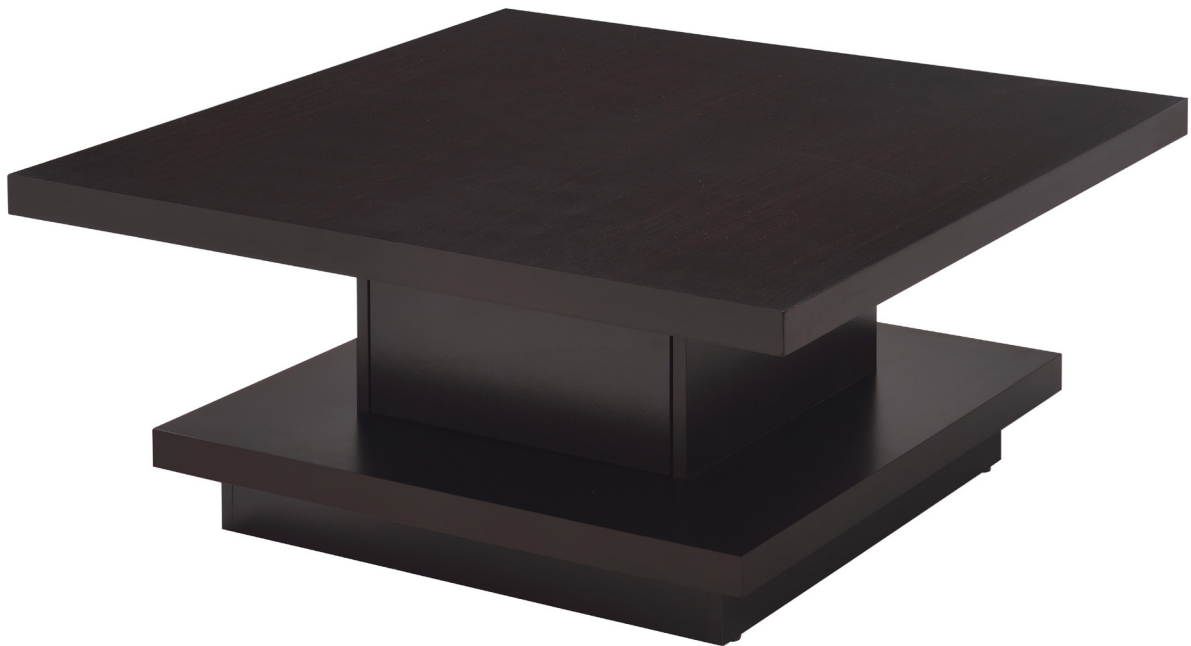


*ASSEMBLY INSTRUCTIONS
COASTER FINE FURNITURE*



Fine Furniture for every stage of life

705168
COFFEE TABLE

ITEM: 705168

ASSEMBLY INSTRUCTIONS

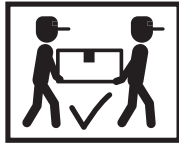
ASSEMBLY TIPS:

1. Remove hardware from box and sort by size.
2. Please check to see that all hardware and parts are present prior to start of assembly.
3. Please follow attached instructions in the same sequence as numbered to assure fast & easy assembly.



WARNING!

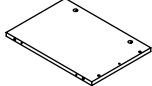
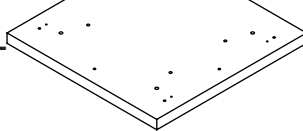
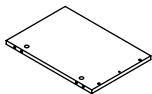
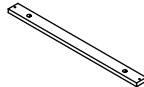
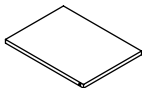
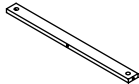
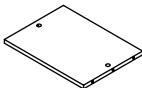
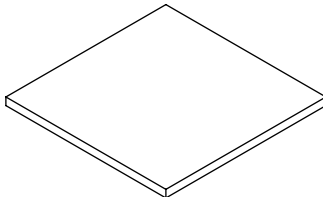
1. Don't attempt to repair or modify parts that are broken or defective. Please contact the store immediately.
2. This product is for home use only and not intended for commercial establishments.



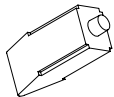

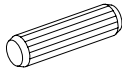

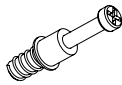
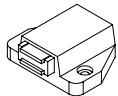
ASSEMBLY TIME

30 MINUTES

PARTS IDENTIFICATION

<p>A LEFT SIDE PANEL</p>  <p>1 PC</p>	<p>E BOTTOM PANEL</p>  <p>1 PC</p>
<p>B RIGHT SIDE PANEL</p>  <p>1 PC</p>	<p>F LONG CROSS BRACE</p>  <p>2 PCS</p>
<p>C DOOR</p>  <p>1 PC</p>	<p>G SHORT CROSS BRACE</p>  <p>2 PCS</p>
<p>D BACK PANEL</p>  <p>1 PC</p>	<p>H TOP PANEL</p>  <p>1 PC</p>

HARDWARE IDENTIFICATION

Z								
NO	DESCRIPTION	FIGURE	Q'TY	NO	DESCRIPTION	FIGURE	Q'TY	
1	GLUE 40g		1 PC	4	CAM LOCK Ø 15x12mm		14 PCS	
2	WOODEN DOWEL Ø 8x30mm		20 PCS	5	BOLT Ø 9.5x55mm		4 PCS	
3	CAM BOLT Ø 7x35.5mm		14 PCS	6	SINGLE MAGNETIC CATCH		1 PC	

NOTE:

Phillips head screw driver is required in the assembly process; however, manufacturer does not provide this item.

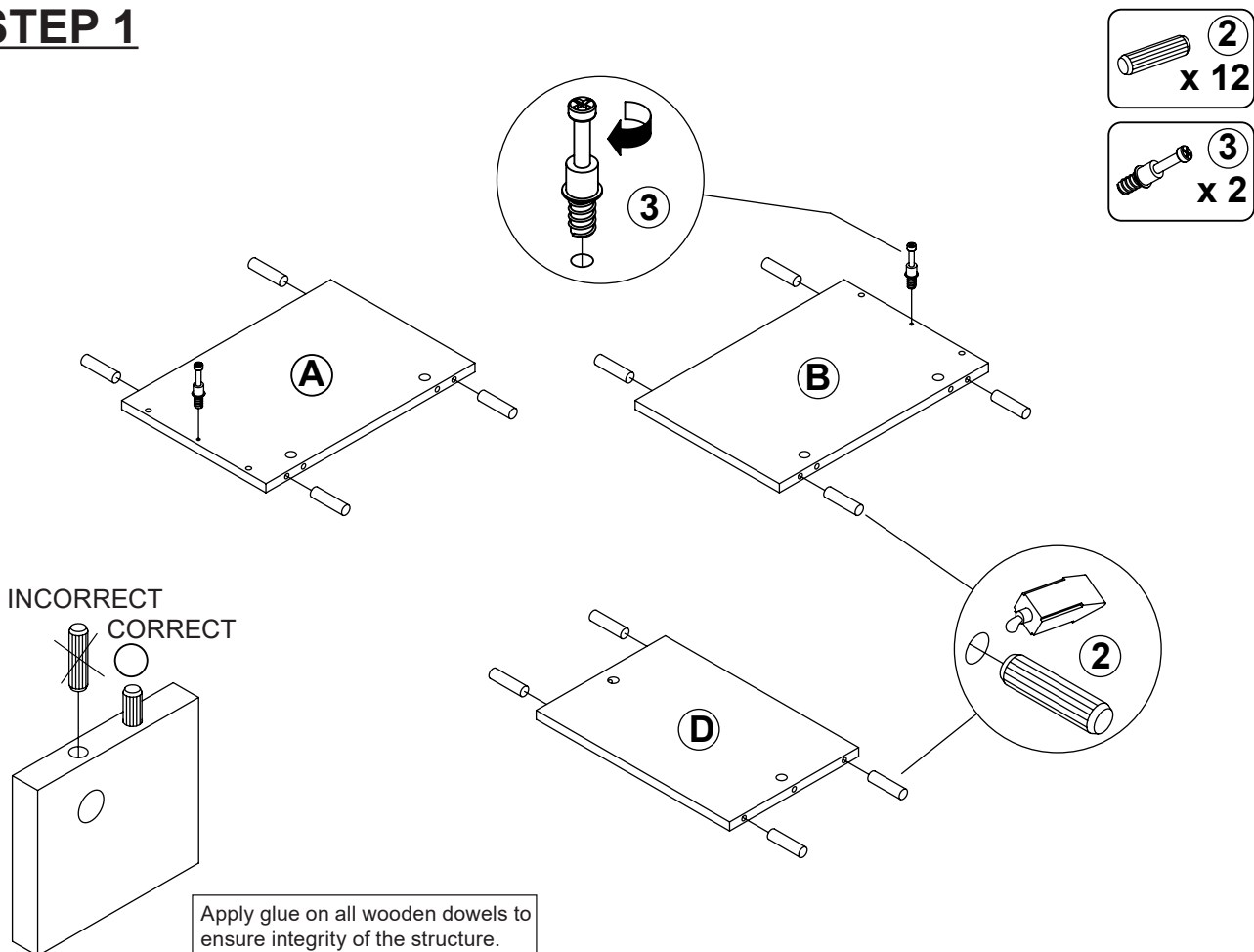
Z

HARDWARE IDENTIFICATION

NO	DESCRIPTION	FIGURE	Q'TY	NO	DESCRIPTION	FIGURE	Q'TY
7	FLEXIBLE DOOR DAMPER		1 PC	10	CASTER		4 PCS
8	FIXED DOOR DAMPER		1 PC	11	STICKER Ø 20mm		3 PCS
9	SCREW FOR DOOR		1 PC	12	SCREW Ø 3x19mm SR		2 PCS

Z10 not included in blister packaging.

STEP 1

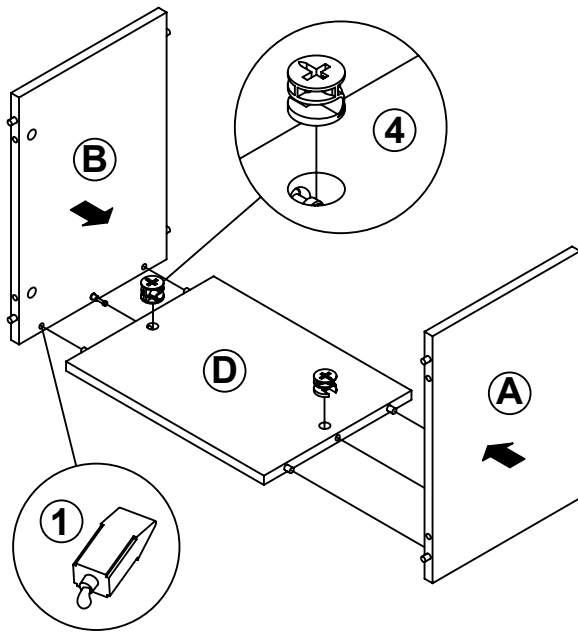
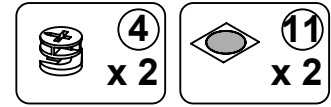


NOTE:

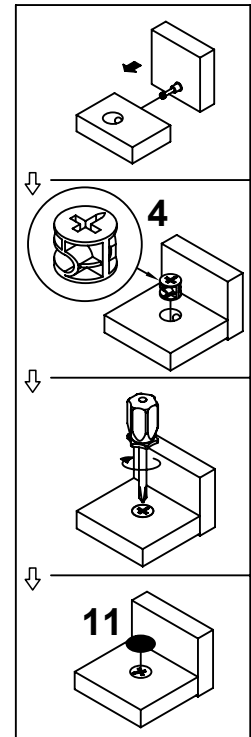
Phillips head screw driver is required in the assembly process; however, manufacturer does not provide this item.

ITEM: 705168

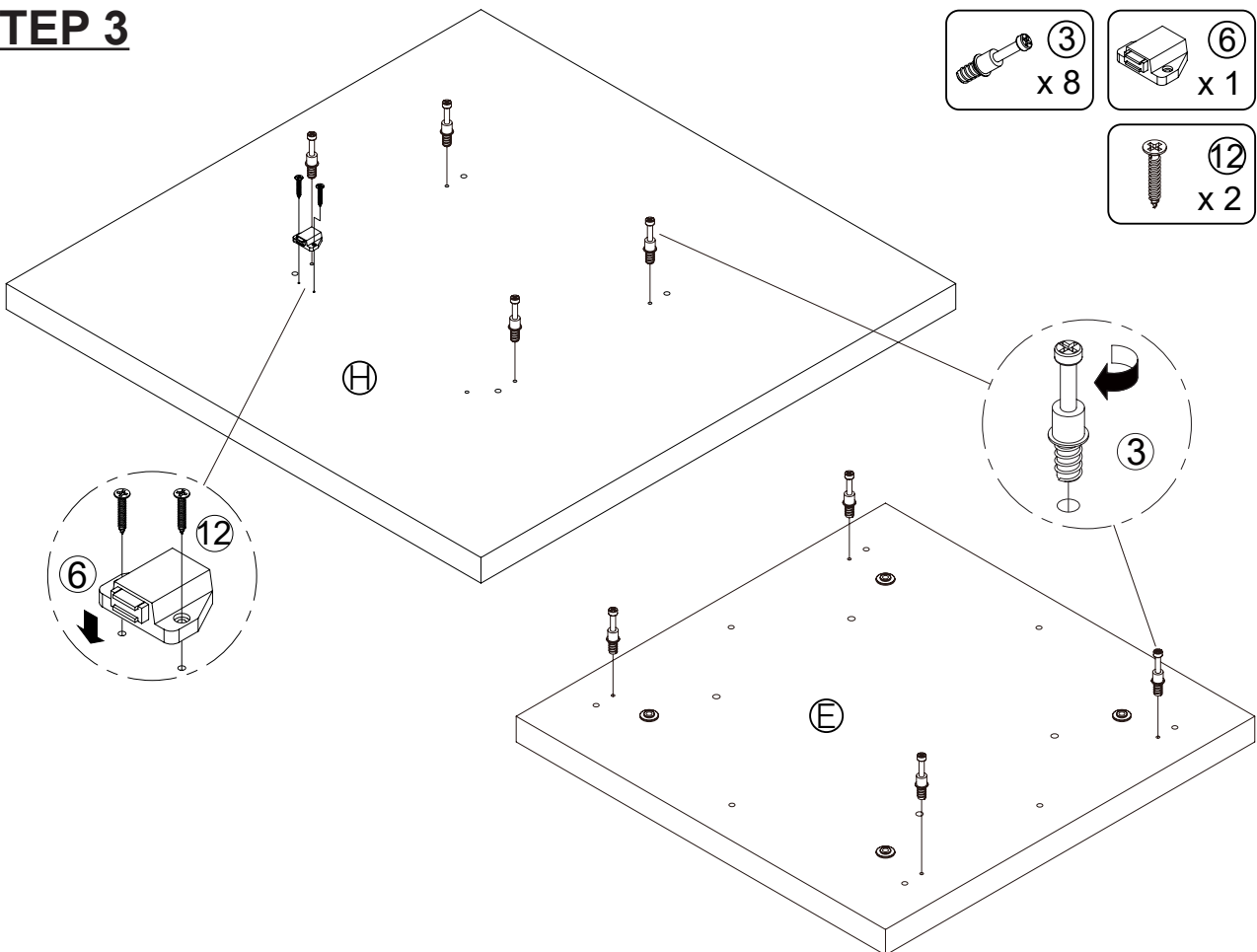
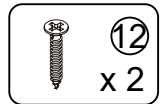
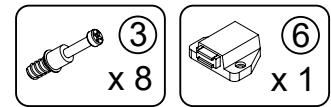
STEP 2



Apply glue on all wooden dowels to ensure integrity of the structure.

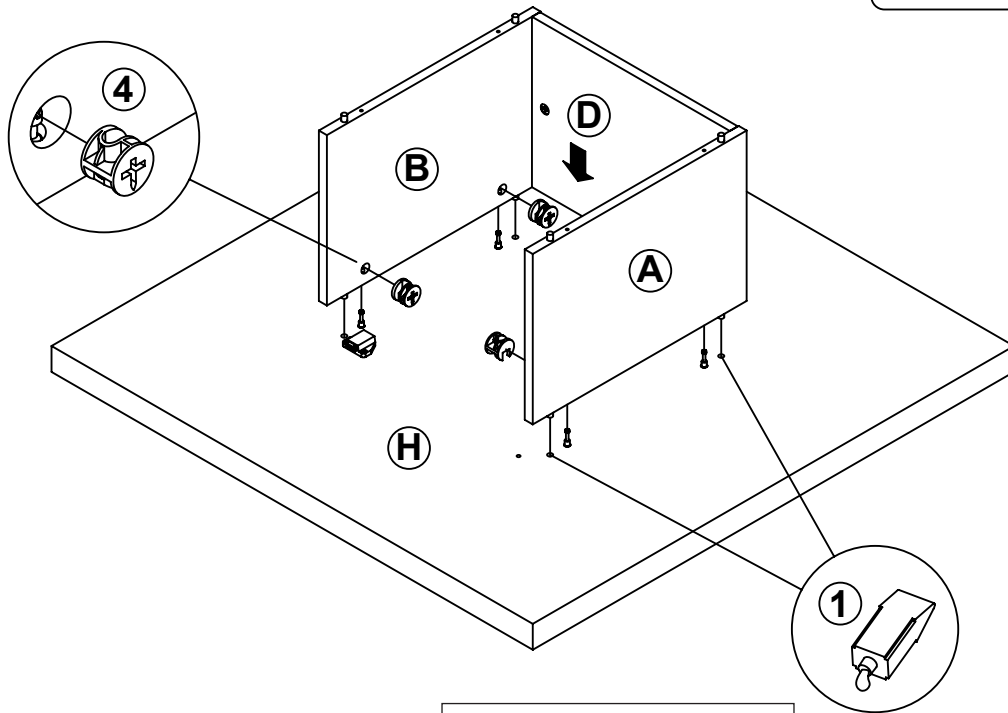
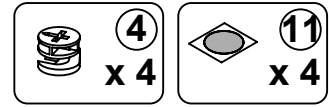


STEP 3



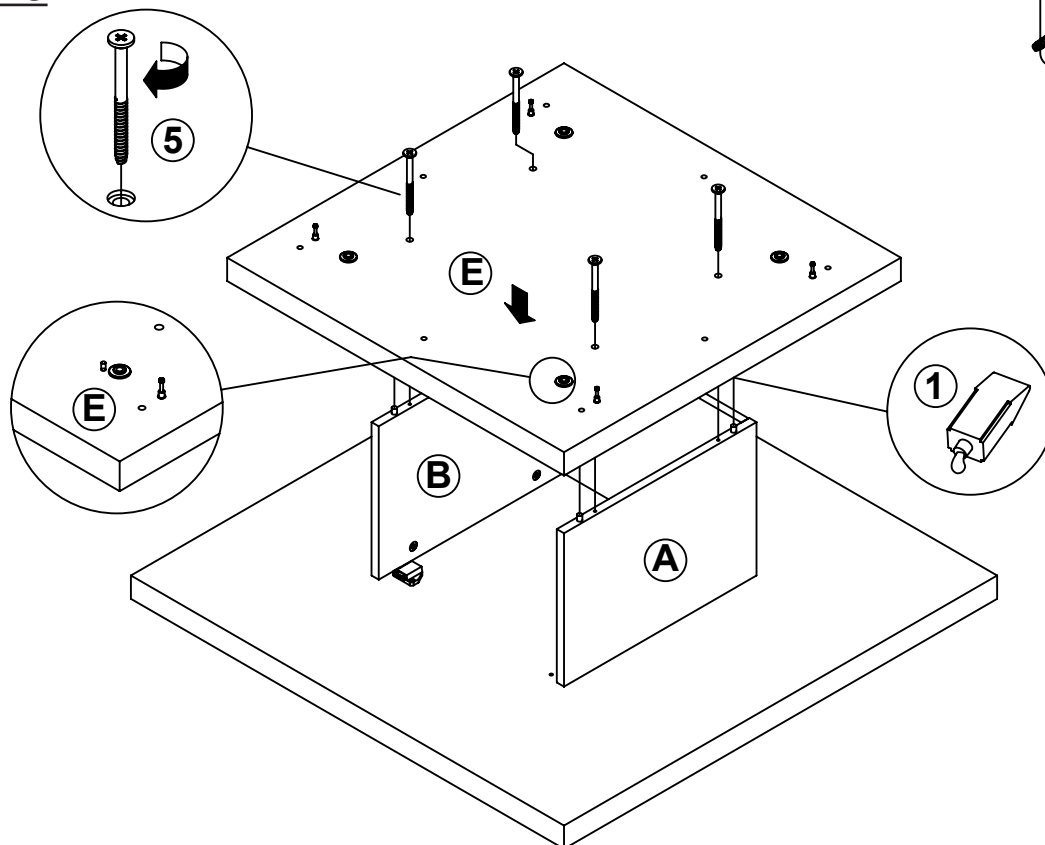
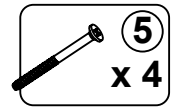
ITEM: 705168

STEP 4



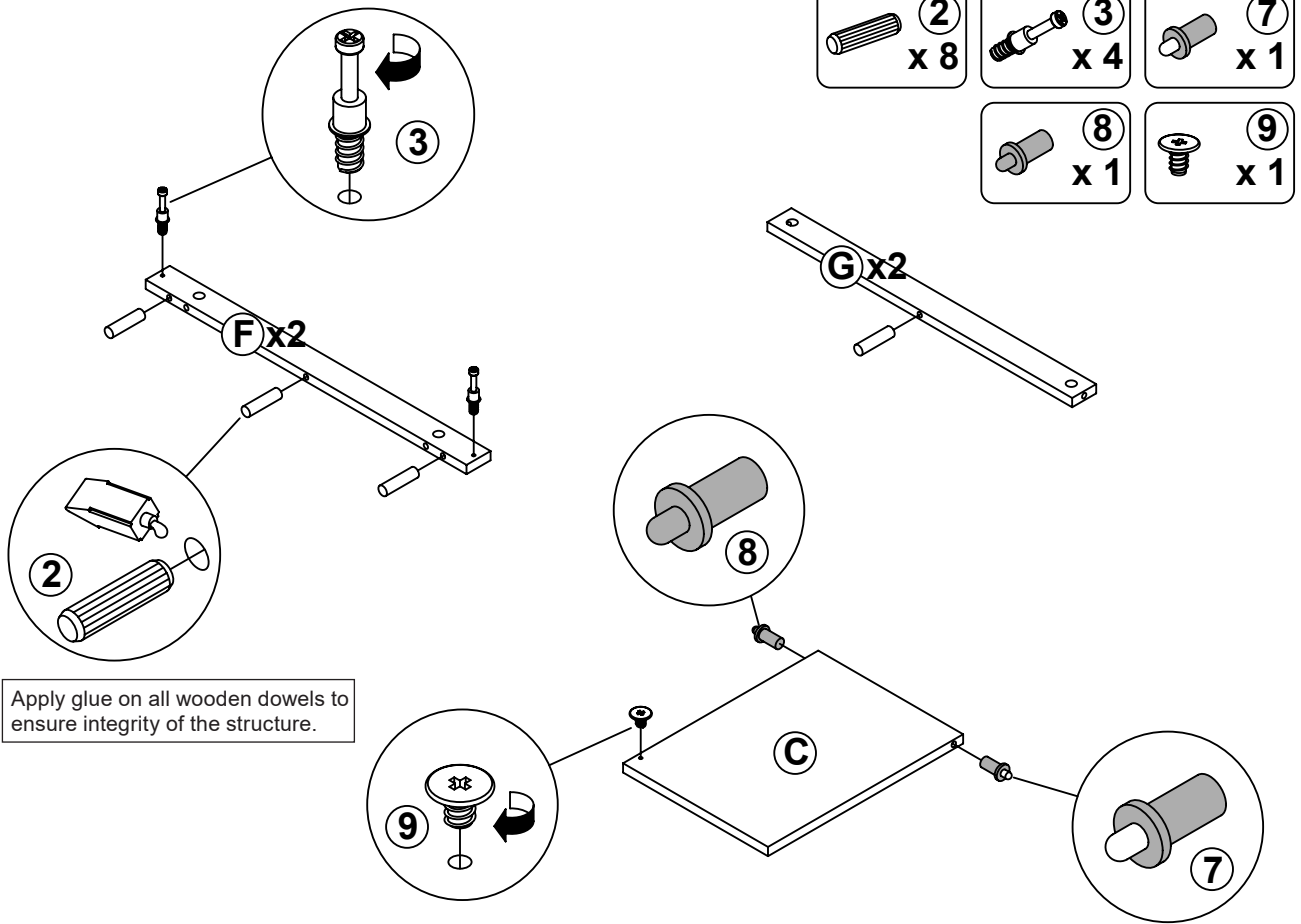
Apply glue on all wooden dowels to ensure integrity of the structure.

STEP 5

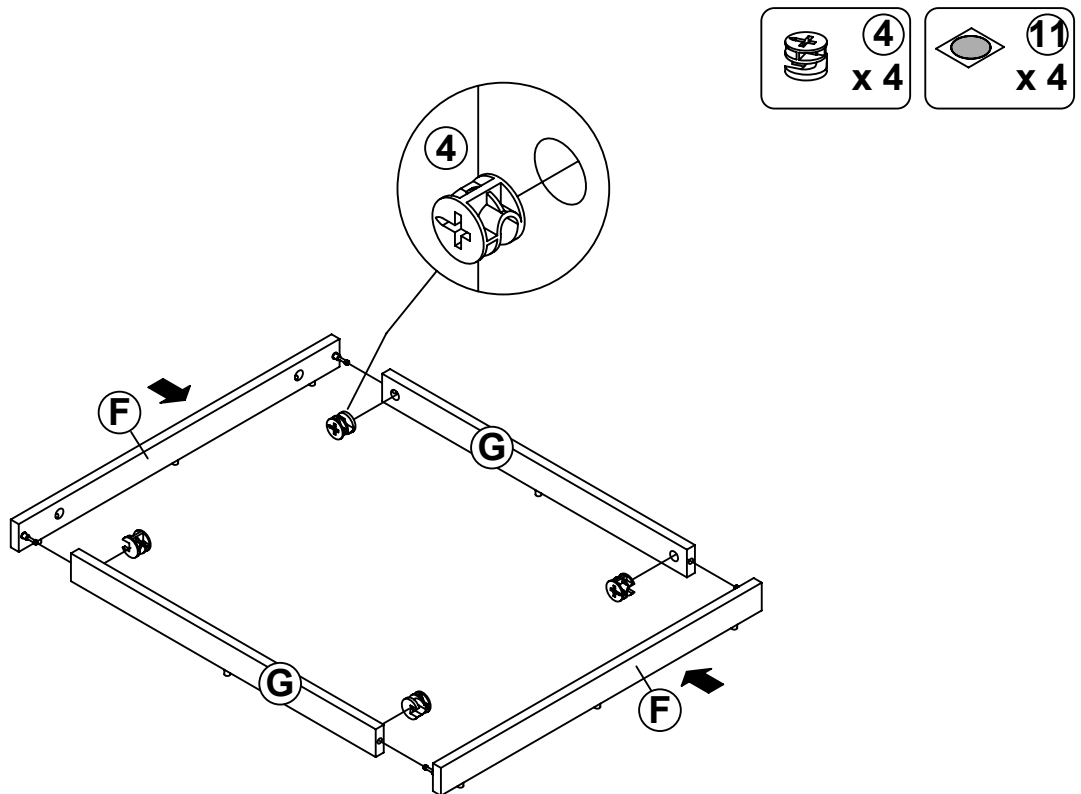


ITEM: 705168

STEP 6

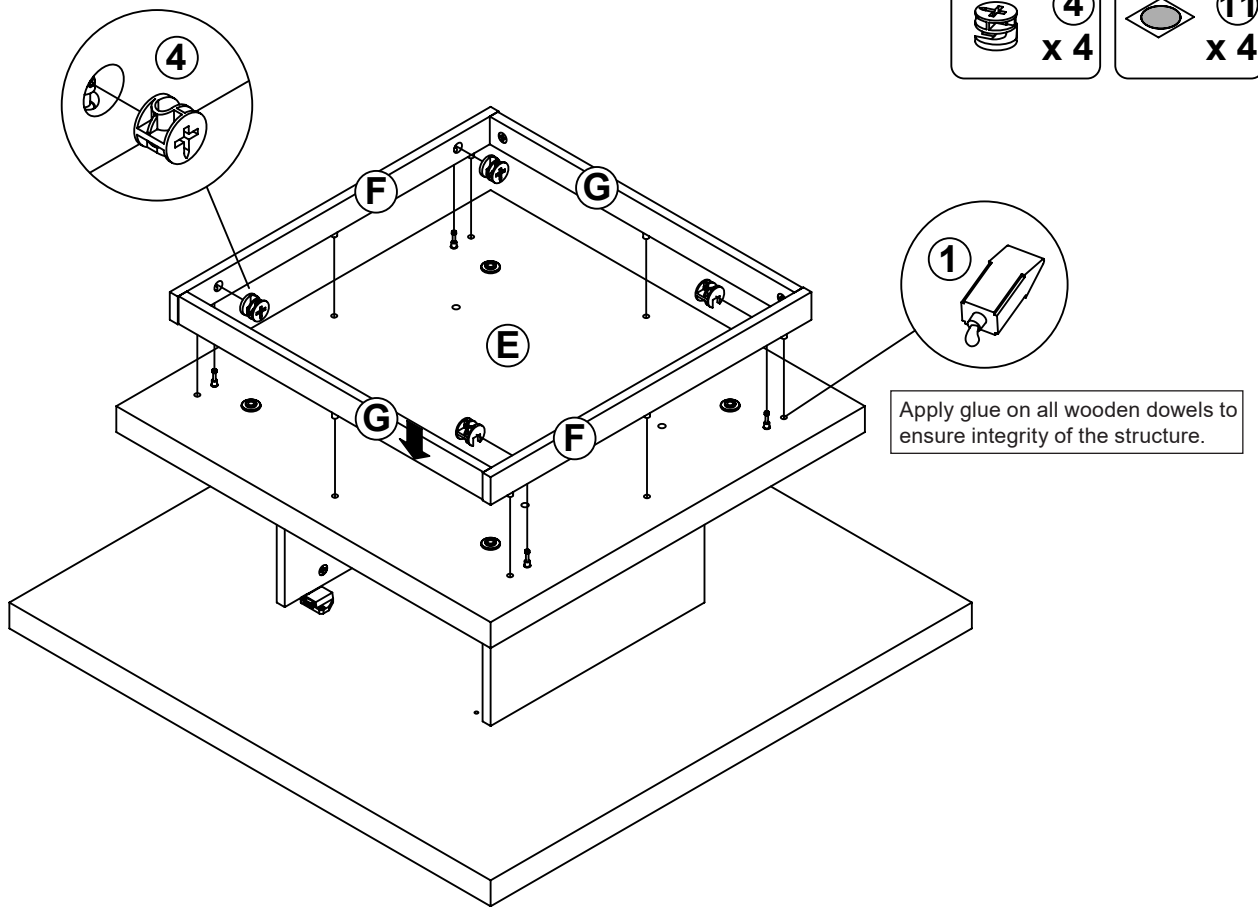


STEP 7

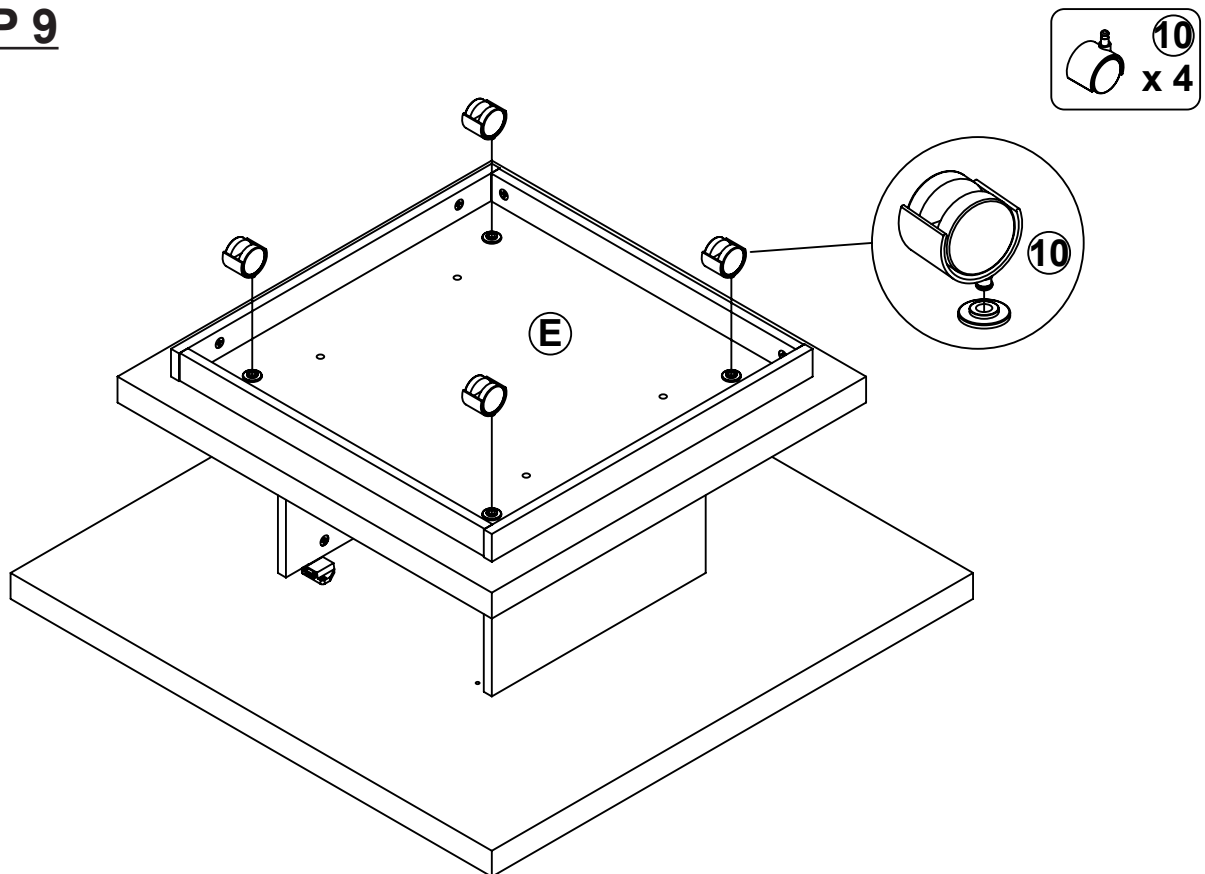


ITEM: 705168

STEP 8

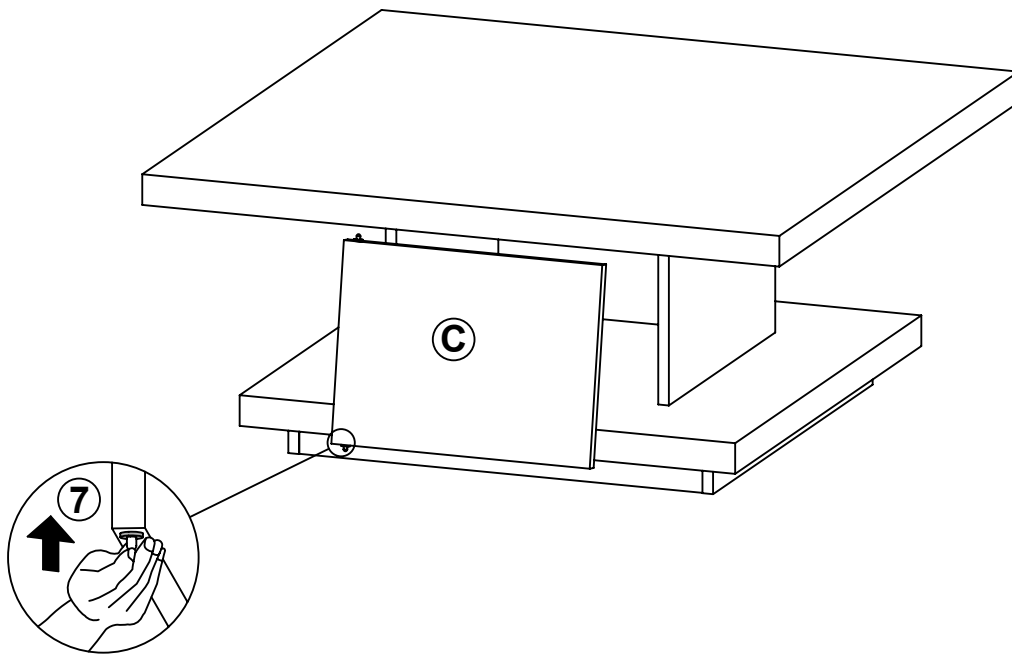


STEP 9

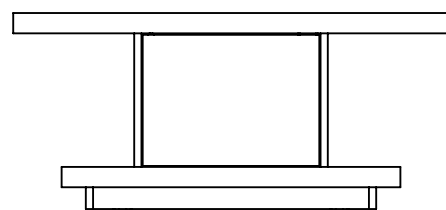
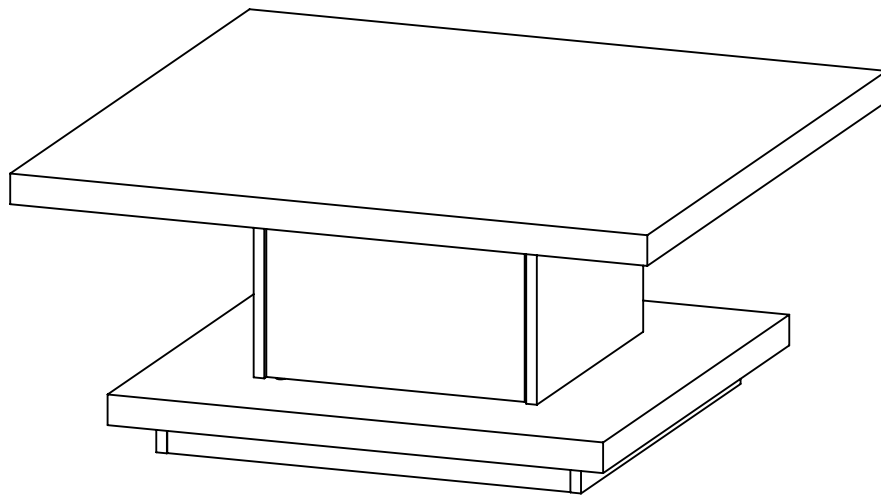


ITEM: 705168

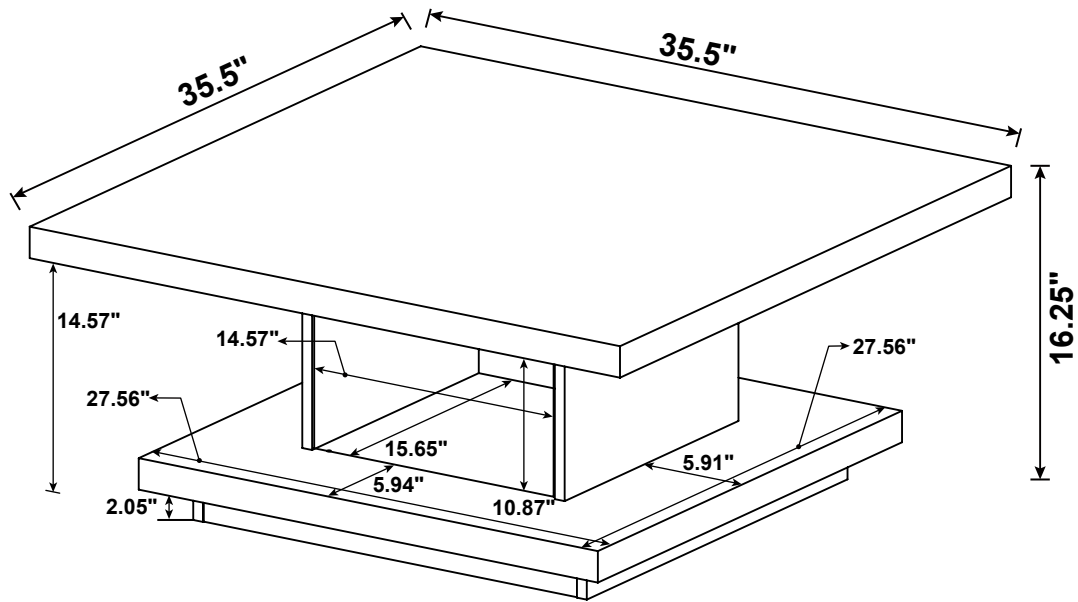
STEP 10



STEP 11
COMPLETE



ITEM:705168



Note : Dimension tolerance $\pm 5\%$