

*ASSEMBLY INSTRUCTIONS*  
*COASTER FINE FURNITURE*



*Fine Furniture for every stage of life*

**881281(B1&B2)**  
**Executive Desk**

# ITEM: 881281(B1&B2)



## ASSEMBLY INSTRUCTIONS

### ASSEMBLY TIPS:

1. Remove hardware from box and sort by size.
2. Please check to see that all hardware and parts are present prior to start of assembly.
3. Please follow attached instructions in the same sequence as numbered to assure fast & easy assembly.



### WARNING!

1. Don't attempt to repair or modify parts that are broken or defective. Please contact the store immediately.
2. This product is for home use only and not intended for commercial establishments.



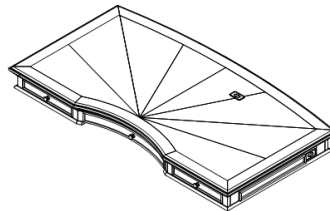
ASSEMBLY TIME

25 MINUTES

## PART IDENTIFICATION

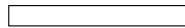
### B1 ( BOX 1 )

A TOP



1PC

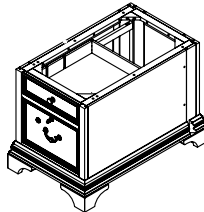
H SMALL DRAWER DIVIDER



4PCS

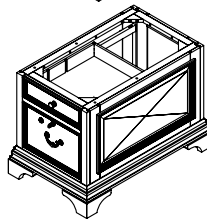
### B2 ( BOX 2 )

B LEFT COMPARTMENT



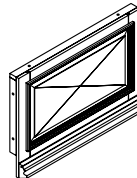
1PC

C RIGHT COMPARTMENT



1PC

D CENTER PANEL



1PC

E LEG



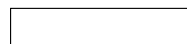
8PCS

F DRAWER HANGER



4PCS

G BIG DRAWER DIVIDER



4PCS

I UNIVERSAL KEY



2SETS

# ITEM: 881281(B1&B2)

## ASSEMBLY INSTRUCTIONS

### ASSEMBLY TIPS:

1. Remove hardware from box and sort by size.
2. Please check to see that all hardware and parts are present prior to start of assembly.
3. Please follow attached instructions in the same sequence as numbered to assure fast & easy assembly.

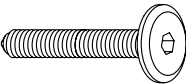
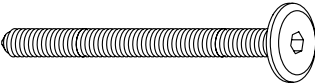
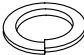


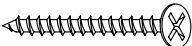



### WARNING!

1. Don't attempt to repair or modify parts that are broken or defective. Please contact the store immediately.
2. This product is for home use only and not intended for commercial establishments.

## HARDWARE IDENTIFICATION

### Z-B2 (BOX 2) - HARDWARE PACK IS LOCATED IN 881281(B2)

1	<b>SHORT BOLT</b> (M6 x 40mm - BLK)		14PCS
2	<b>LONG BOLT</b> (M6 x 100mm - BLK)		16PCS
3	<b>LOCK WASHER</b> (1.6 x 14mm - BLK)		30PCS
4	<b>FLAT WASHER</b> (1 x 18mm - BLK)		30PCS
5	<b>ALLEN WRENCH</b> (M4 x 65mm - BLK)		1PC
6	<b>FLAT HEAD SCREW</b> (4 x 38mm - BLK)		16PCS
7	<b>WOOD DOWEL</b> (10 x 30mm - BRW)		4PCS

### NOTE:

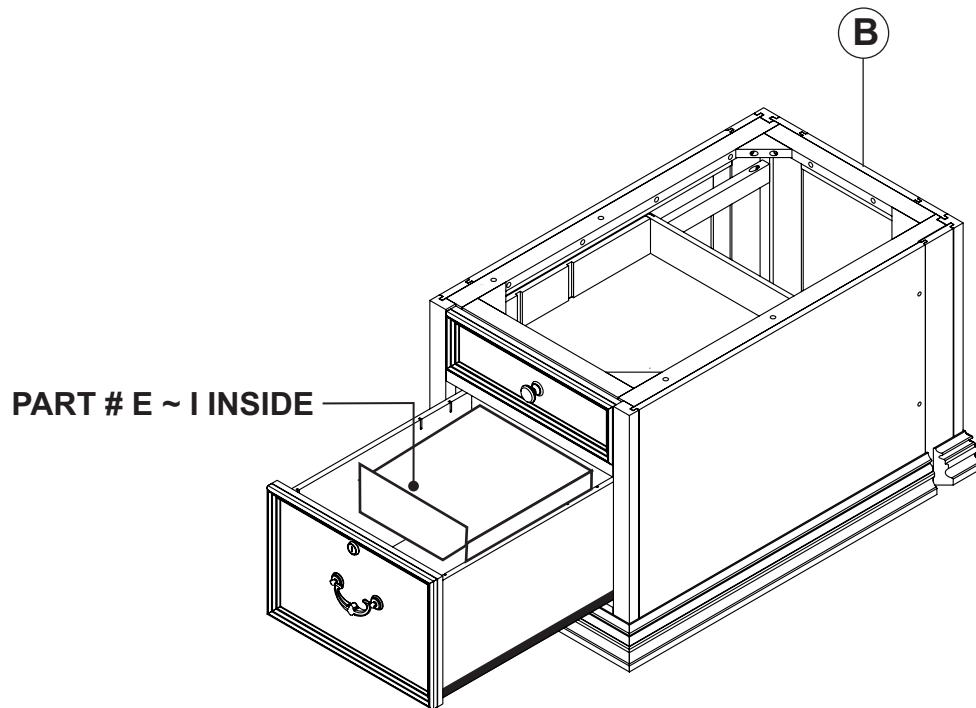
Phillips head screw driver is required in the assembly process; however, manufacturer does not provide this item.

# ITEM: 881281(B1&B2)

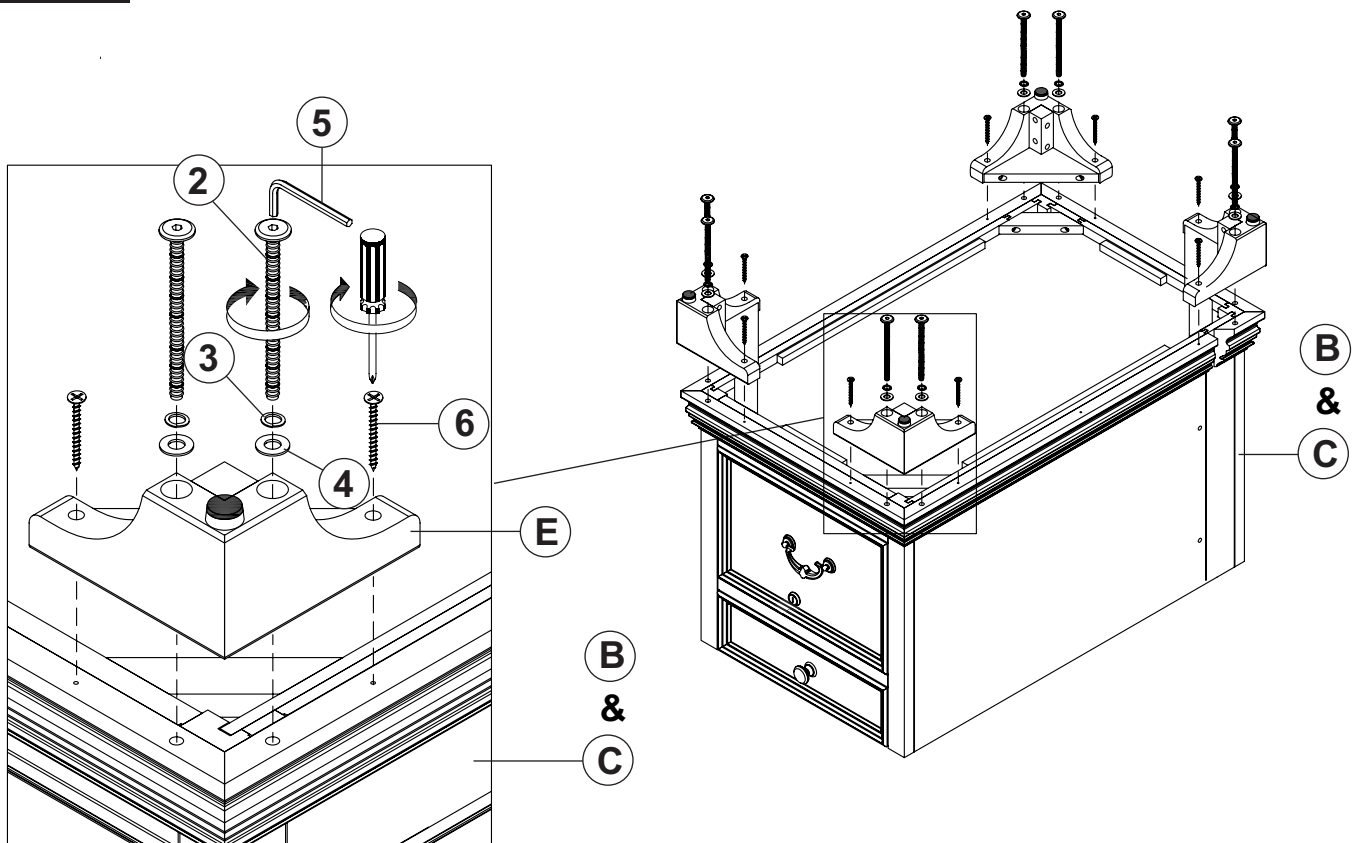
## ASSEMBLY INSTRUCTIONS



### STEP 1



### STEP 2

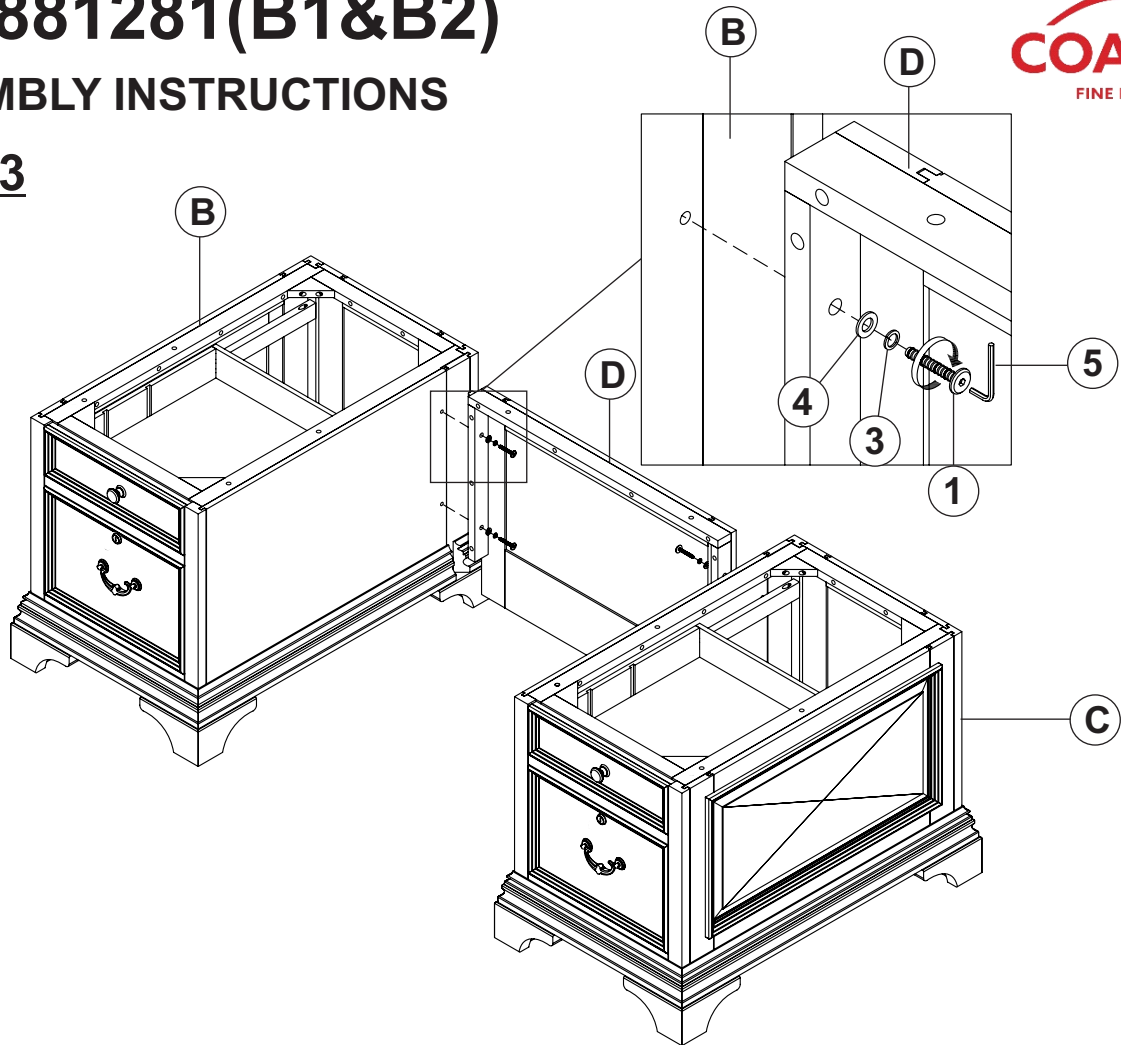


# ITEM: 881281(B1&B2)

## ASSEMBLY INSTRUCTIONS

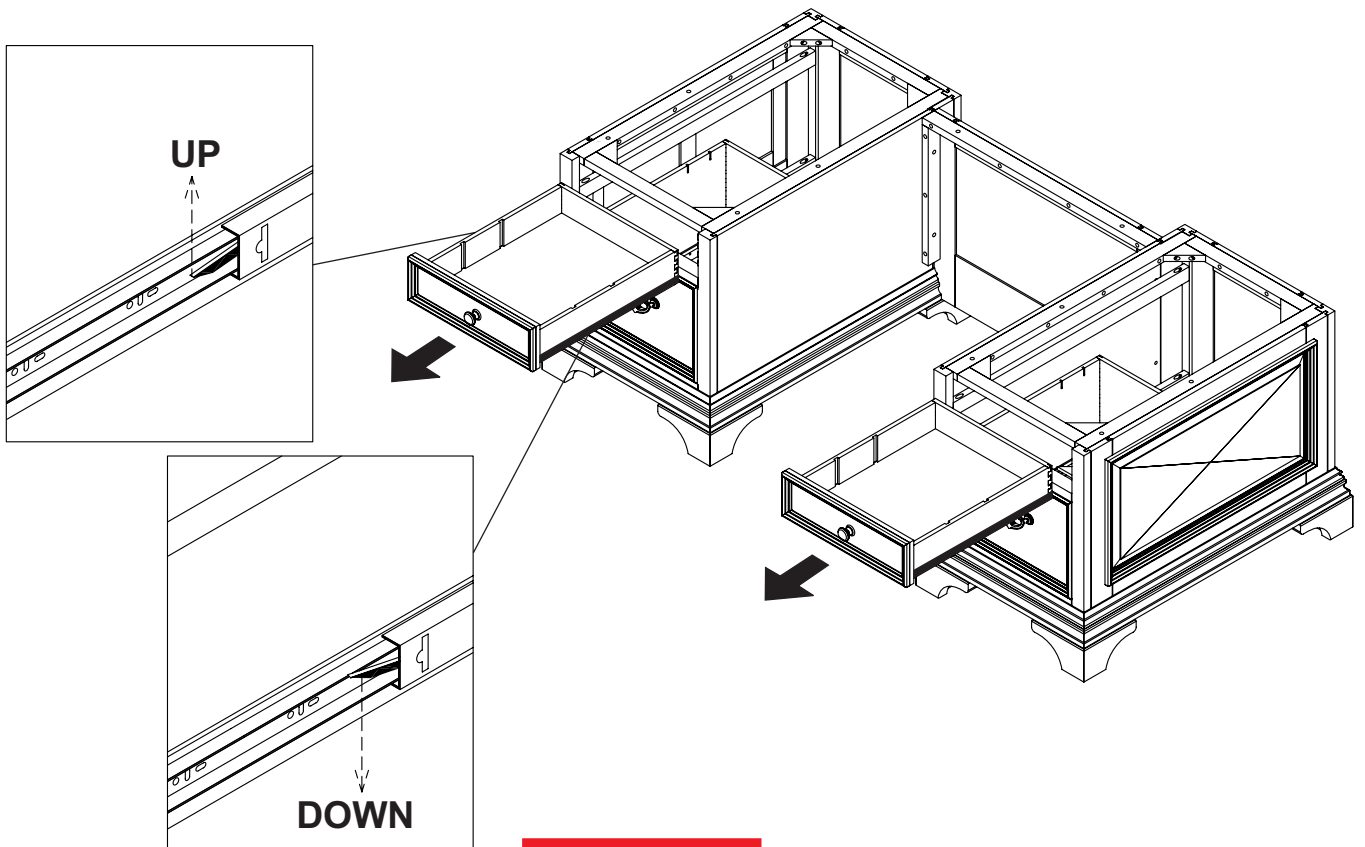


### STEP 3



### STEP 4

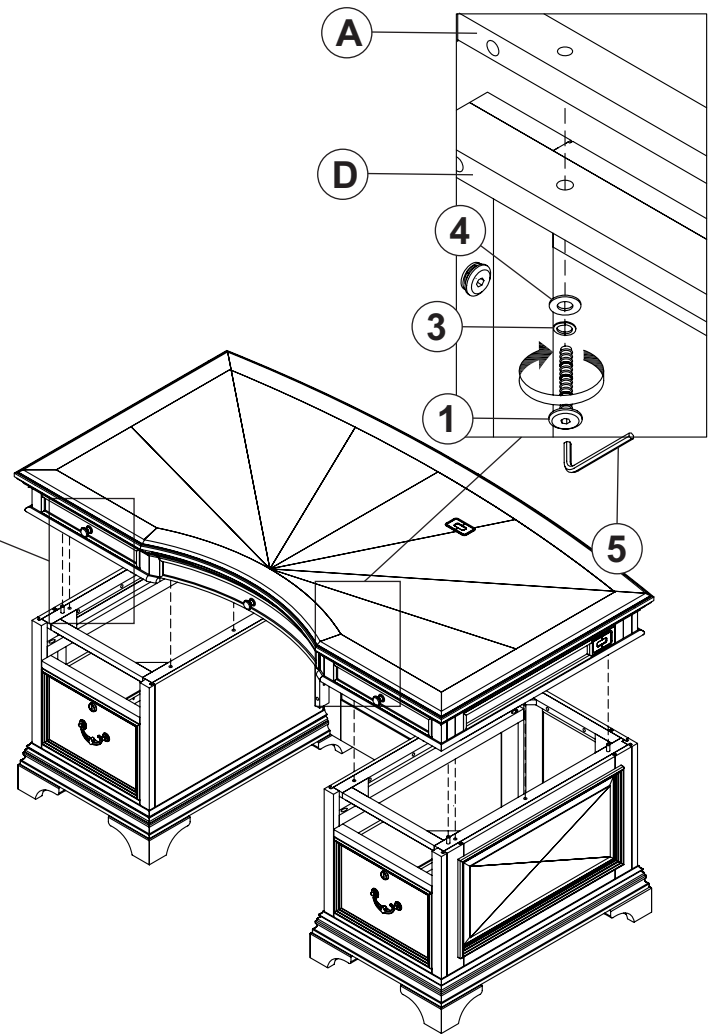
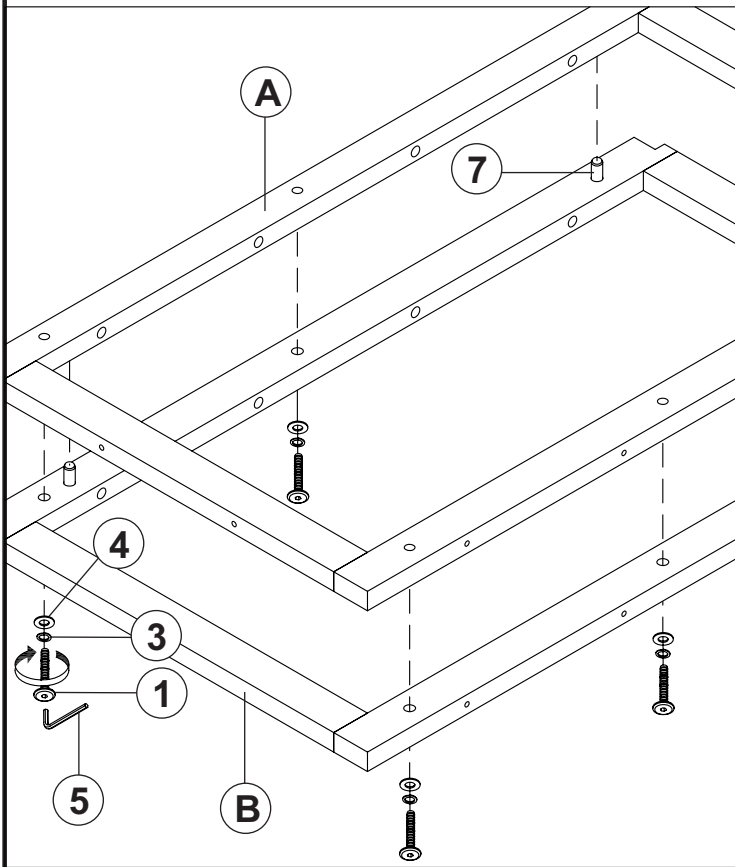
REMOVE DRAWER,  
BEFORE ATTACHING THE TOP



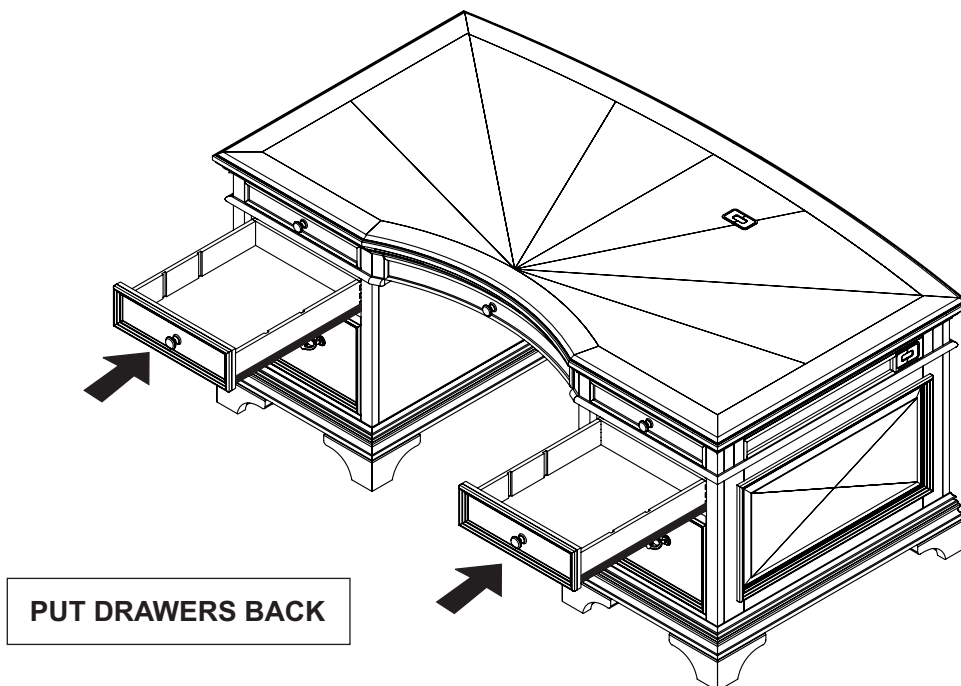
# ITEM: 881281(B1&B2)

## ASSEMBLY INSTRUCTIONS

### STEP 5



### STEP 6

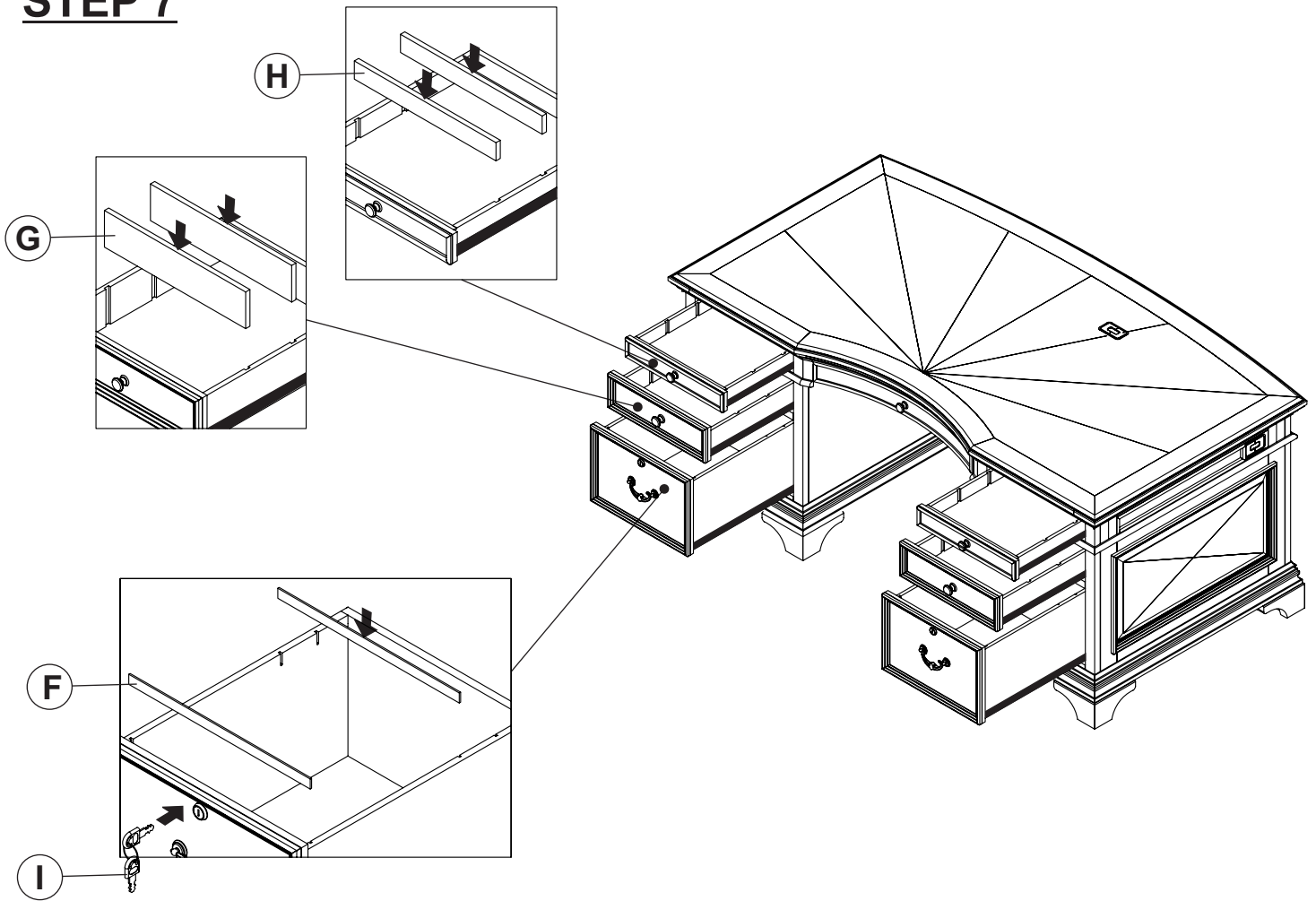


# ITEM: 881281(B1&B2)

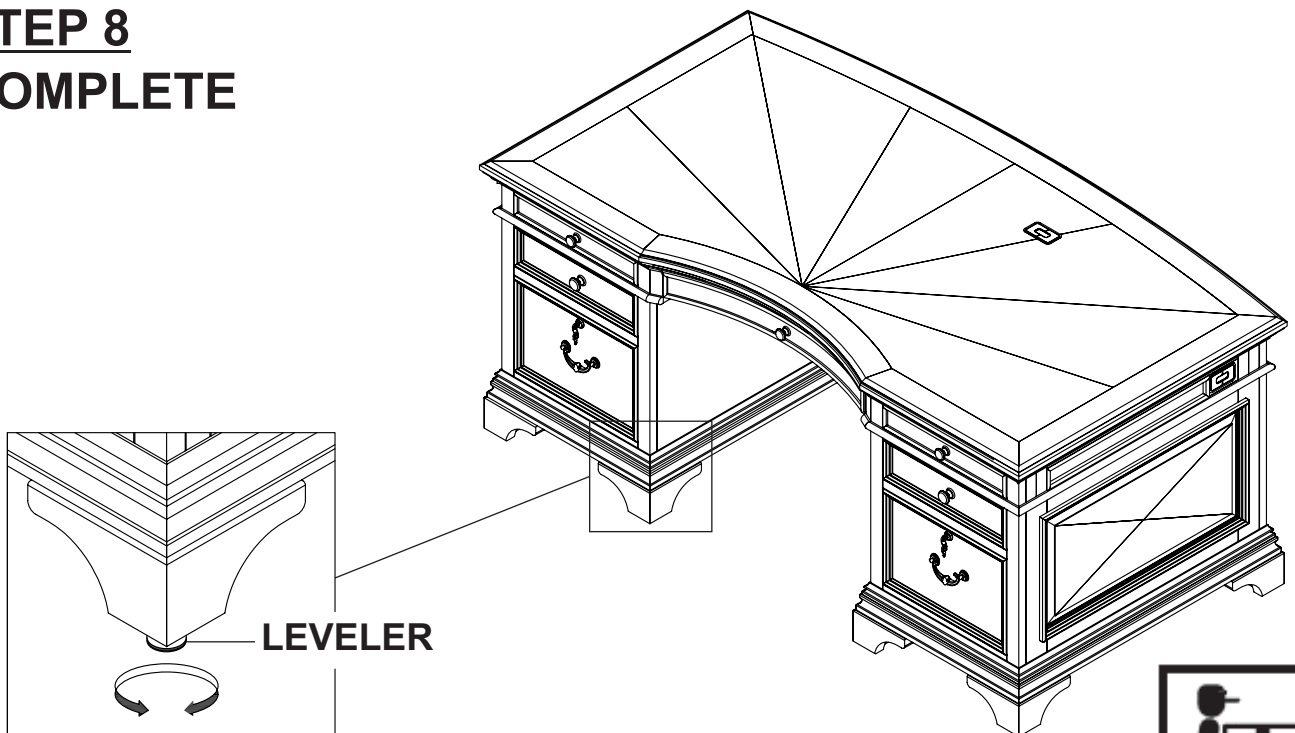
## ASSEMBLY INSTRUCTIONS



### STEP 7



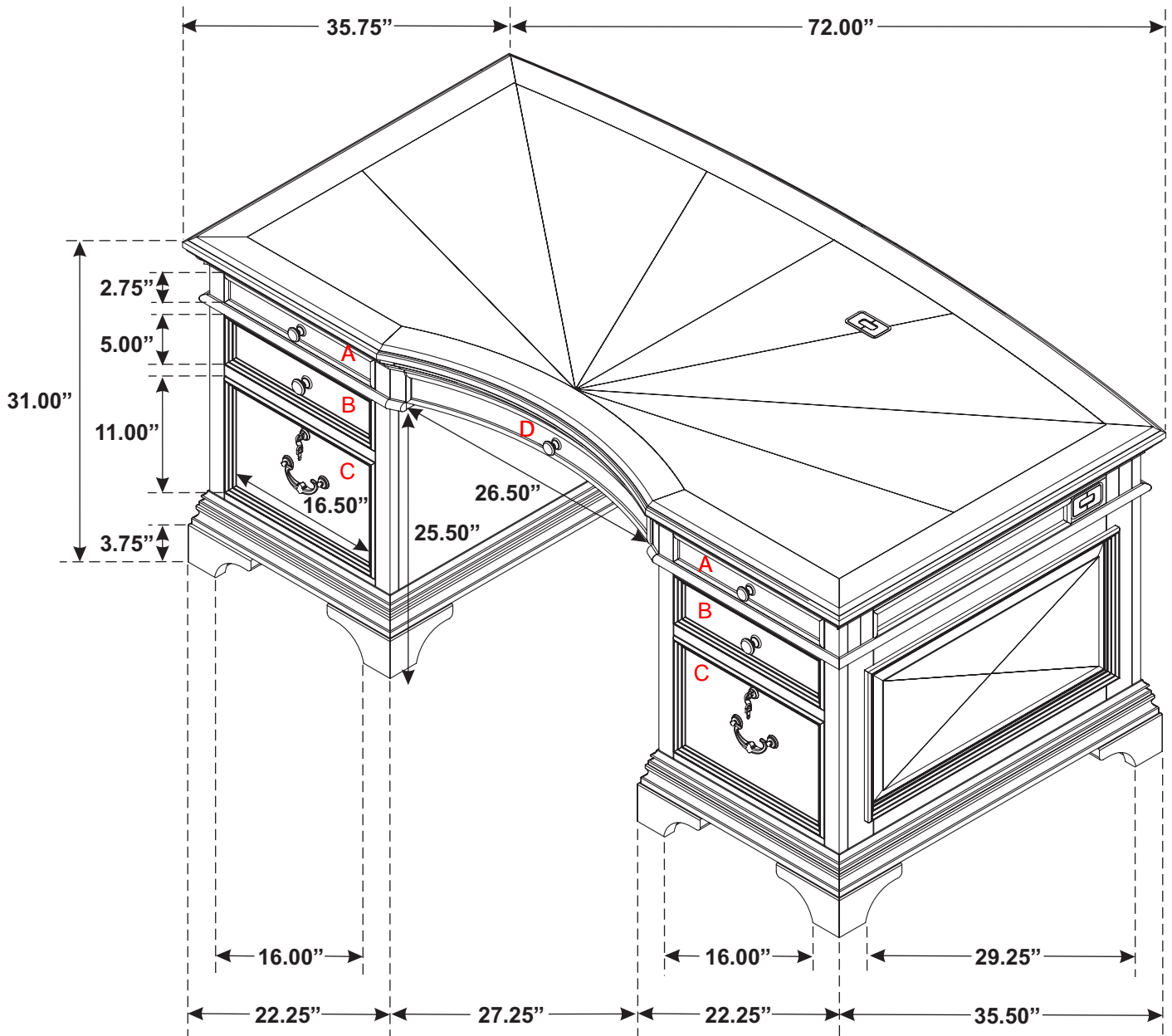
### STEP 8 COMPLETE





# ITEM: 881281(B1&B2)

Inner Size of Drawer A : 14.50"W x 17.75"D x 1.75"H x 0.50"T  
Inner Size of Drawer B : 14.50"W x 17.75"D x 3.00"H x 0.50"T  
Inner Size of Drawer C : 14.50"W x 17.75"D x 9.50"H x 0.50"T  
Inner Size of Drawer D : 25.00"W x 10.75"D x 1.75"H x 0.50"T



Note: Dimension tolerance  $\pm 5\%$