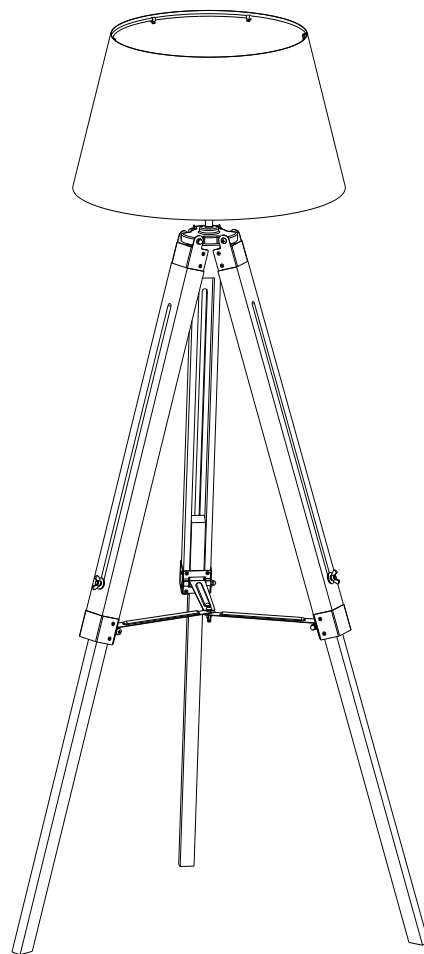


ASSEMBLY INSTRUCTIONS
COASTER FINE FURNITURE



Fine Furniture for every stage of life

REVISION 0N:01/06/2023

920212
FLOOR LAMP

ITEM :920212

ASSEMBLY INSTRUCTIONS

ASSEMBLY TIPS:

1. Remove hardware from box and sort by size.
2. Please check to see that all hardware and parts are present prior to start of assembly.
3. Please follow attached instructions in the same sequence as numbered to assure fast & easy assembly.

WARNING!


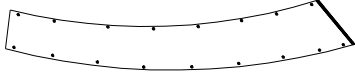

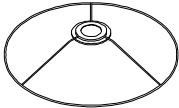



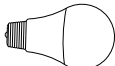


1. Don't attempt to repair or modify parts that are broken or defective. Please contact the store immediately
2. This product is for home use only and not intended for commercial establishments.

ASSEMBLY TIME

10 MINUTES

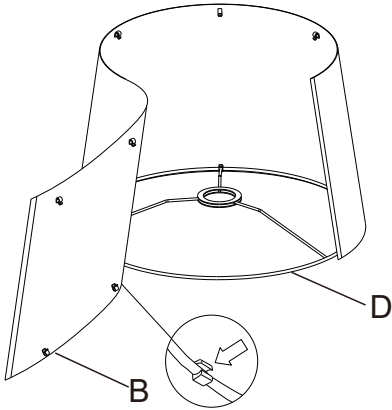
PARTS IDENTIFICATION

A	LAMP BODY		1PC
B	SHADE		1PC
C	SHADE TOP RING		1PC
D	SHADE BOTTOM RING		1PC
E	SOCKET RING		1PC
F	BUTTERFLY NUT		1PC
G	SWITCH		1PC
H	LIGHT BULB		1PC

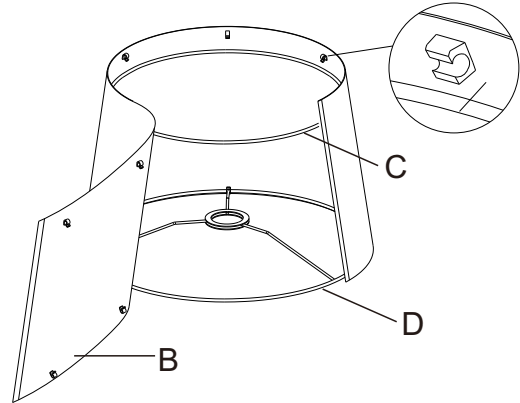
ITEM :920212

ASSEMBLY INSTRUCTIONS

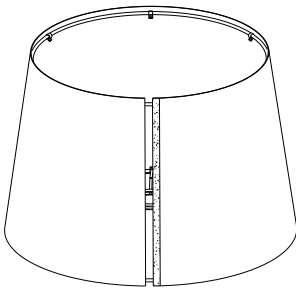
STEP1



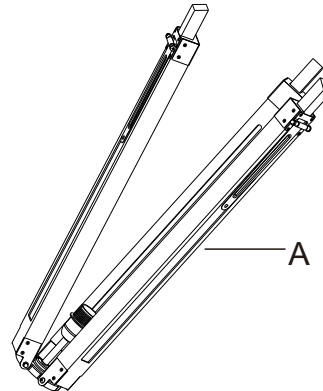
STEP2



STEP3



STEP4



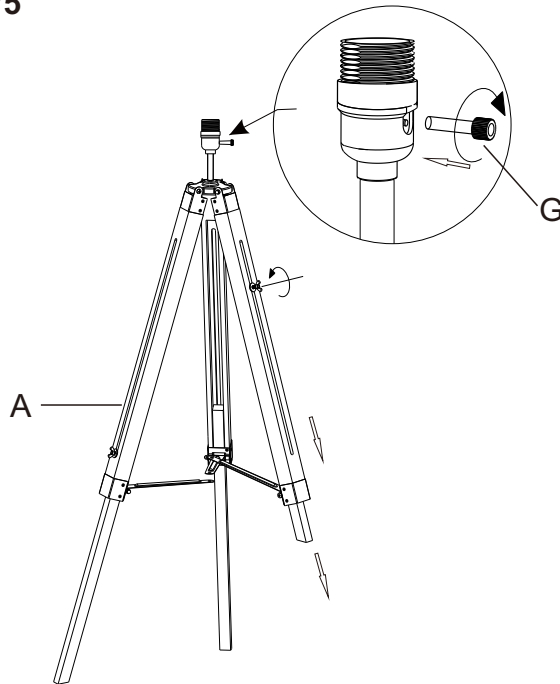
As a safety feature, and to reduce the risk of electric shock, this portable lamp includes a polarized plug (one blade is wider than the other). The plug will fit into a polarized outlet in a single direction only. If the plug does not fit fully in the outlet, reverse the plug and try again. If it still does not fit, contact a qualified electrician. DO NOT use with an extension cord unless, can be fully inserted. DO NOT alter the plug

FLOOR LAMP:TYPE A LED BULB 9W

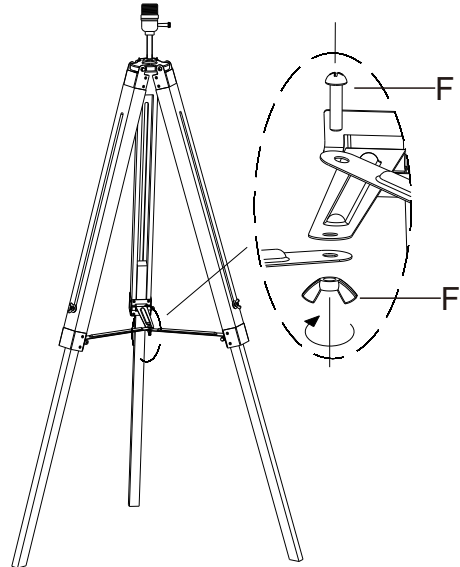
ITEM :920212

ASSEMBLY INSTRUCTIONS

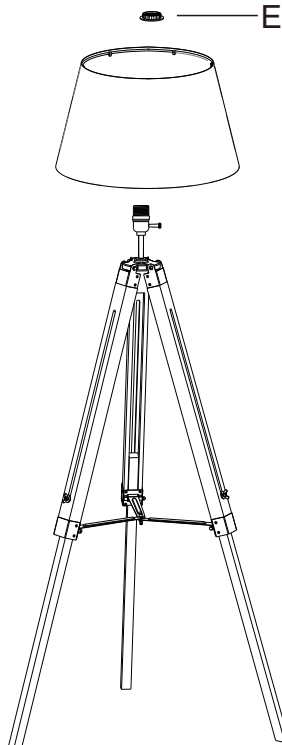
STEP5



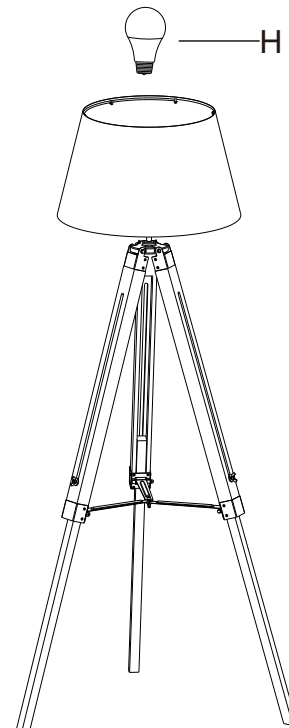
STEP6



STEP7



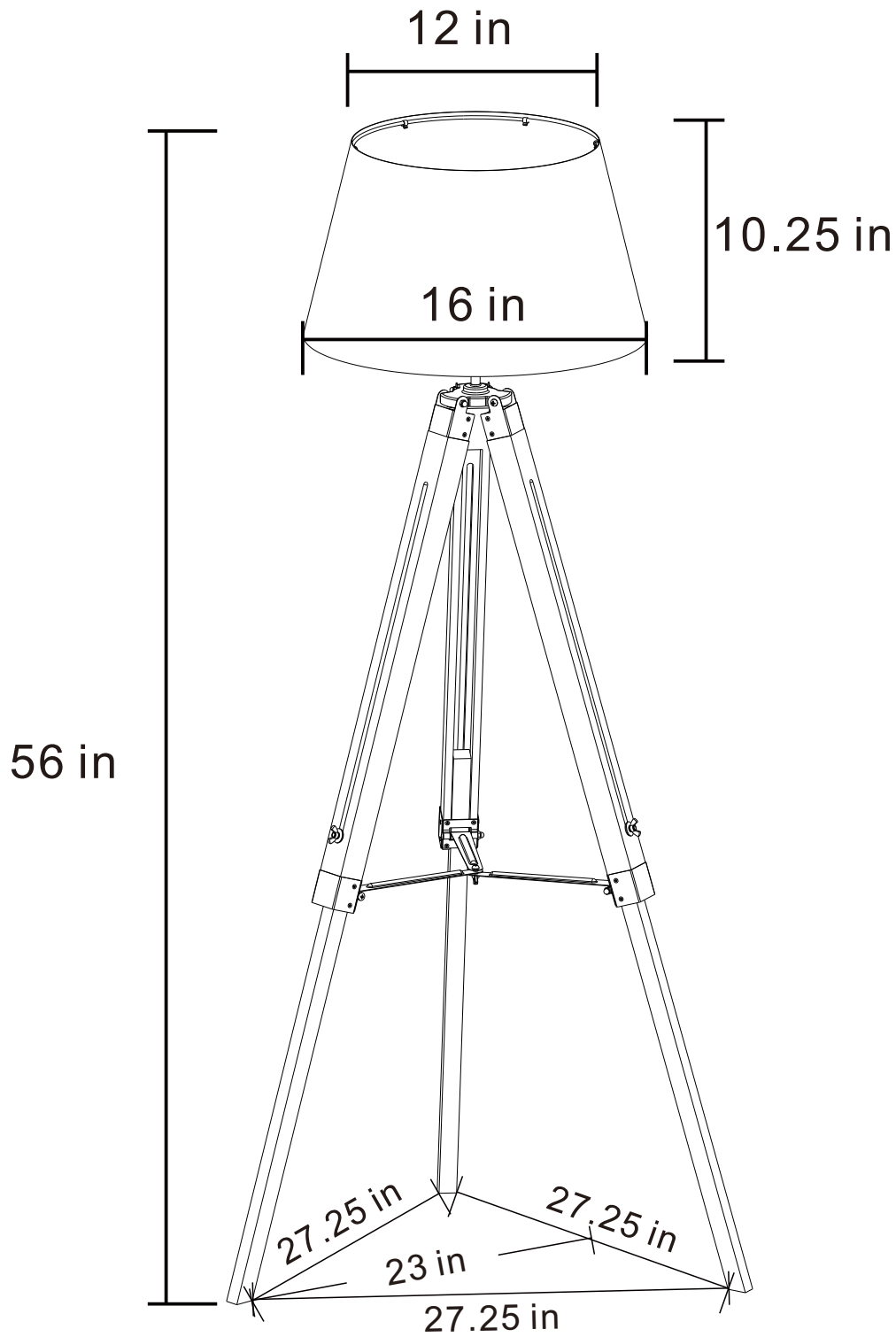
STEP8



As a safety feature, and to reduce the risk of electric shock, this portable lamp includes a polarized plug (one blade is wider than the other). The plug will fit into a polarized outlet in a single direction only. If the plug does not fit fully in the outlet, reverse the plug and try again. If it still does not fit, contact a qualified electrician. DO NOT use with an extension cord unless, can be fully inserted. DO NOT alter the plug

FLOOR LAMP:TYPE A LED BULB 9W

ITEM :920212



Note : Dimension tolerance $\pm 5\%$