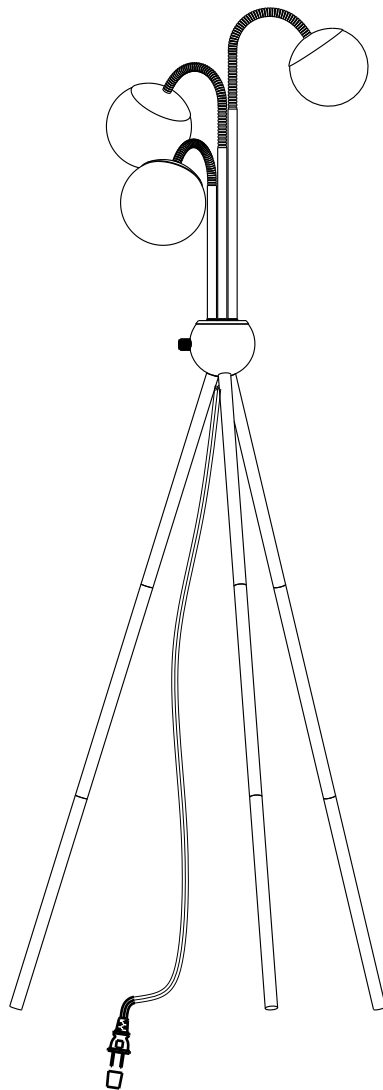


ASSEMBLY INSTRUCTIONS
COASTER FINE FURNITURE



Fine Furniture for every stage of life

REVISION 0N:01/06/2023

920293
FLOOR LAMP

ASSEMBLY INSTRUCTIONS

ASSEMBLY TIPS:

1. Remove hardware from box and sort by size.
2. Please check to see that all hardware and parts are present prior to start of assembly.
3. Please follow attached instructions in the same sequence as numbered to assure fast & easy assembly.

WARNING!

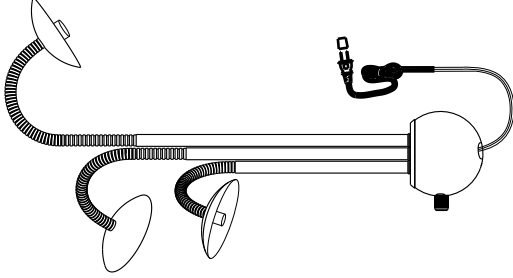
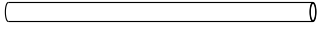
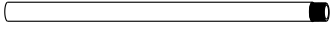





1. Don't attempt to repair or modify parts that are broken or defective. Please contact the store immediately
2. This product is for home use only and not intended for commercial establishments.

ASSEMBLY TIME

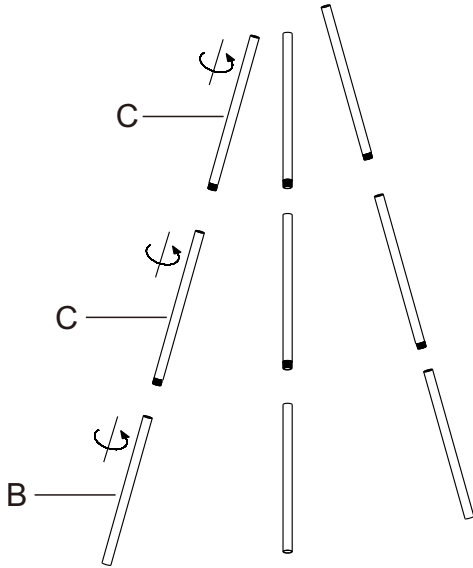
8 MINUTES

PARTS IDENTIFICATION

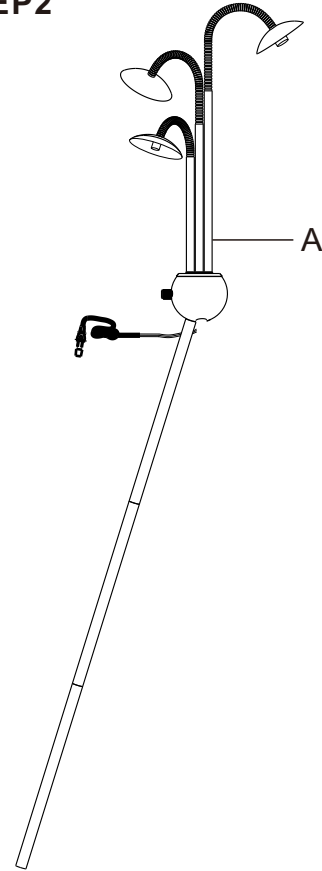
A	LAMP BODY		1PC
B	LAMP POLE		3PCS
C	LAMP POLE WITH THREAD		6PCS
D	SHADE		3PCS
E	CLIPS		2PCS
F	LIGHT BULB		1PC

ASSEMBLY INSTRUCTIONS

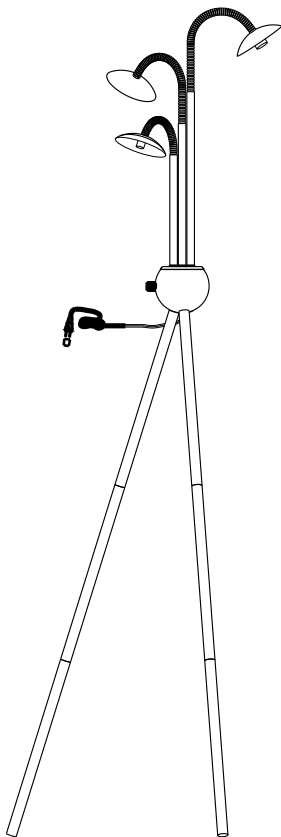
STEP1



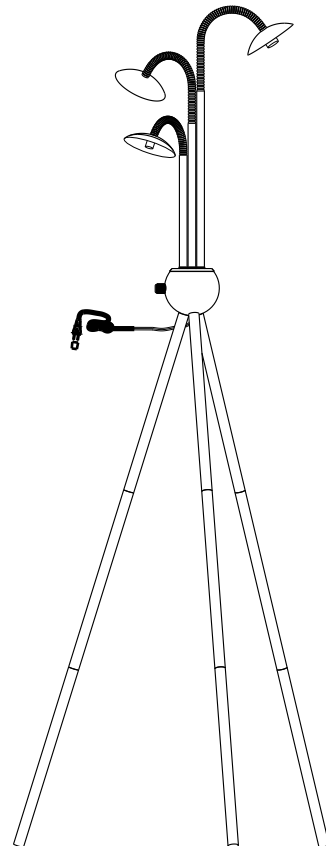
STEP2



STEP3



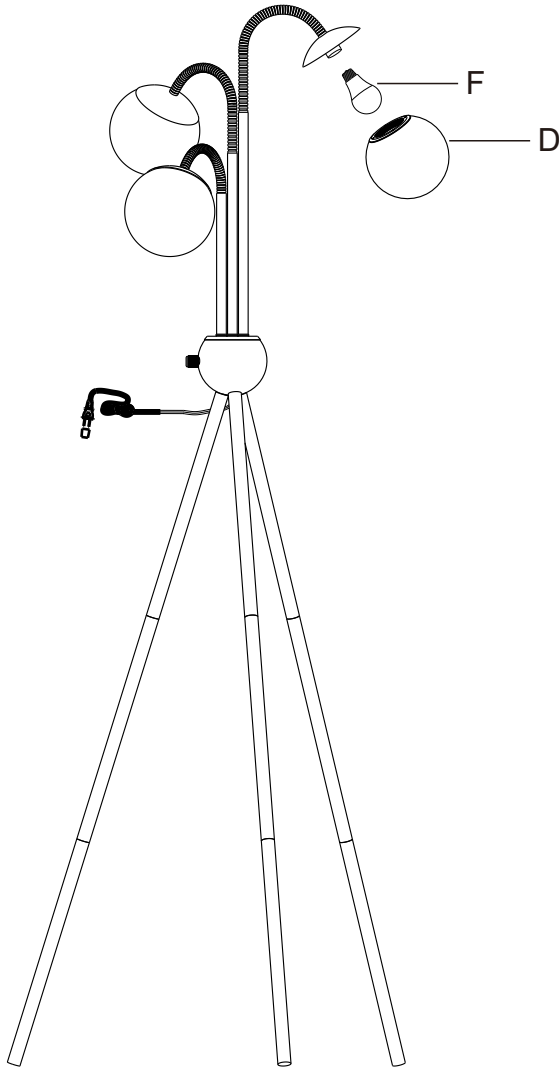
STEP4



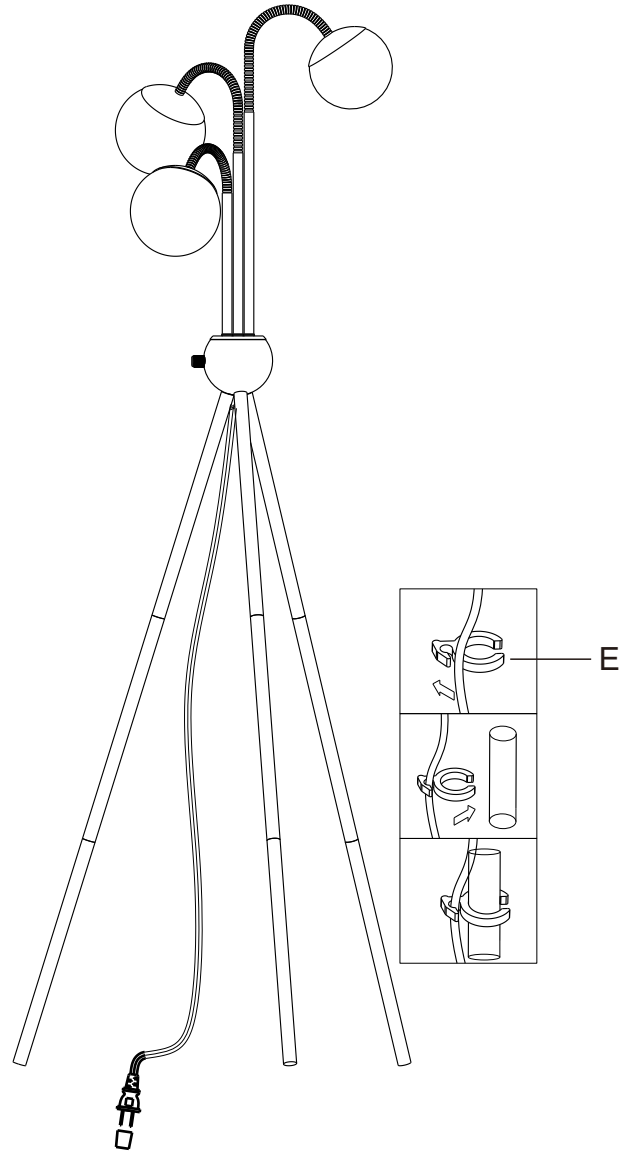
ITEM :920293

ASSEMBLY INSTRUCTIONS

STEP5

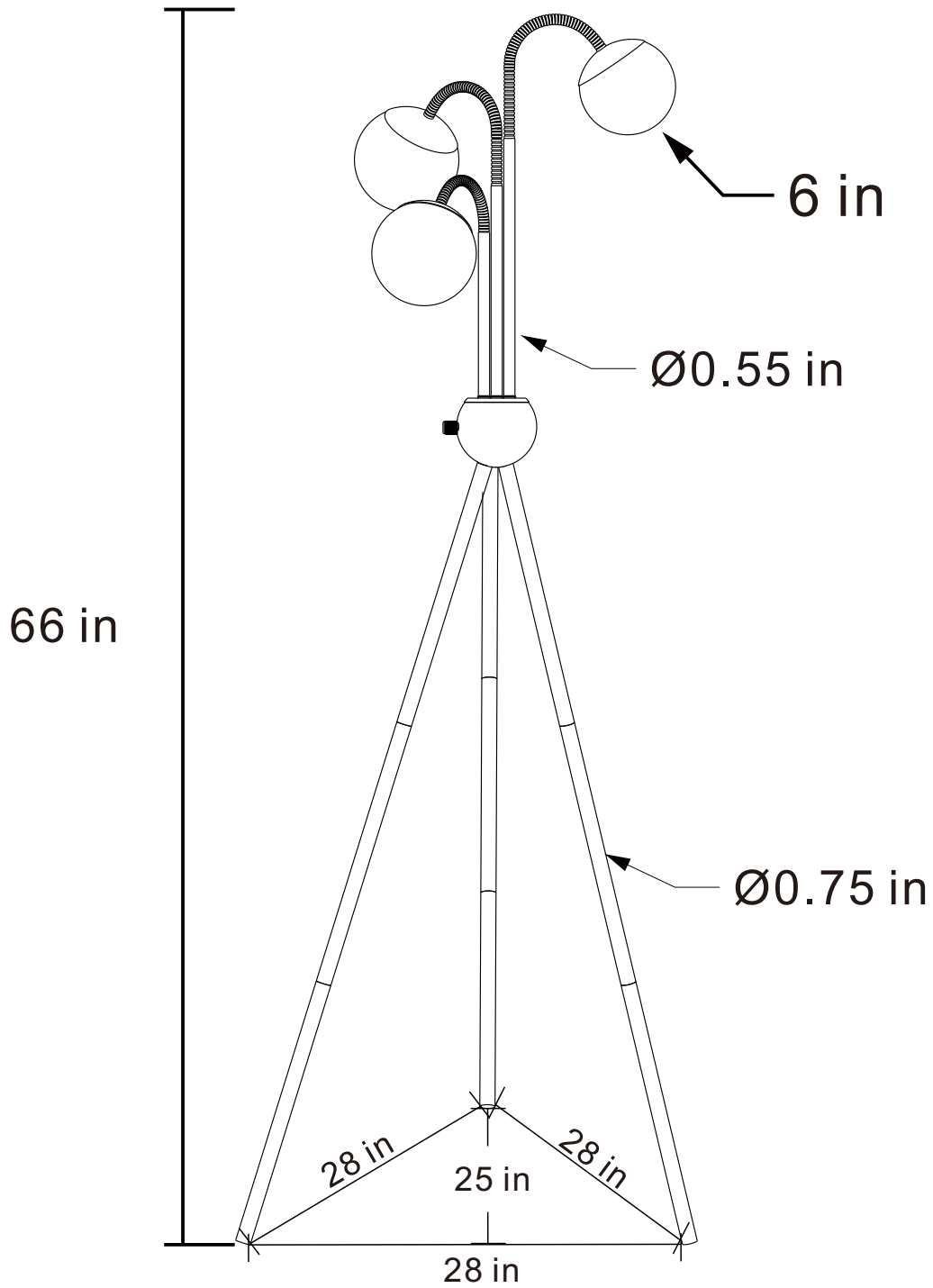


STEP6



As a safety feature, and to reduce the risk of electric shock, this portable lamp includes a polarized plug (one blade is wider than the other). The plug will fit into a polarized outlet in a single direction only. If the plug does not fit fully in the outlet, reverse the plug and try again. If it still does not fit, contact a qualified electrician. DO NOT use with an extension cord unless, can be fully inserted. DO NOT alter the plug

FLOOR LAMP:TYPE A LED BULB 9W



Note : Dimension tolerance $\pm 5\%$