



ASSEMBLY INSTRUCTIONS COASTER FINE FURNITURE



Fine Furniture for every stage of life

100194
BARSTOOL

REIVSION:06/16/2020

PAGE 1 OF 4

COASTERFURNITURE.COM

ITEM : 100194
ASSEMBLY INSTRUCTIONS



ASSEMBLY TIPS:

1. Remove hardware from box and sort by size.
2. Please check to see that all hardware and parts are present prior to start of assembly.
3. Please follow attached instructions in the same sequence as numbered to assure fast & easy assembly.



Warning!

1. Don't attempt to repair or modify parts that are broken or defective. Please contact the store immediately.

2. This product is for home use only and not intended for commercial establishments.



ASSEMBLY TIME	5 MINUTES
---------------	-----------

PARTS IDENTIFICATION

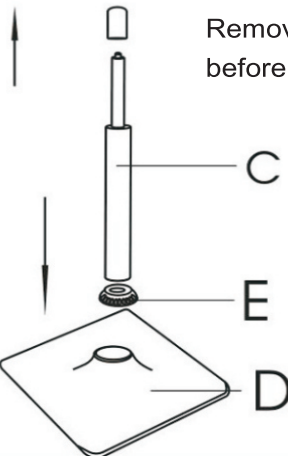
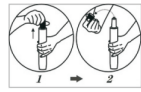
	PART NAME	FIGURE	QTY
A	SEAT AND BACK		1PC
B	FOOT REST		1PC
C	GAS CYLINDER		1PC
D	BASE		1PC
E	DECORATIVE RING		1PC

HARDWARE IDENTIFICATION

	HARDWARE NAME	FIGURE	QTY
1	BOLTS 3/16"x16MM		4PCS
2	ALLEN WRENCH M6		1PC

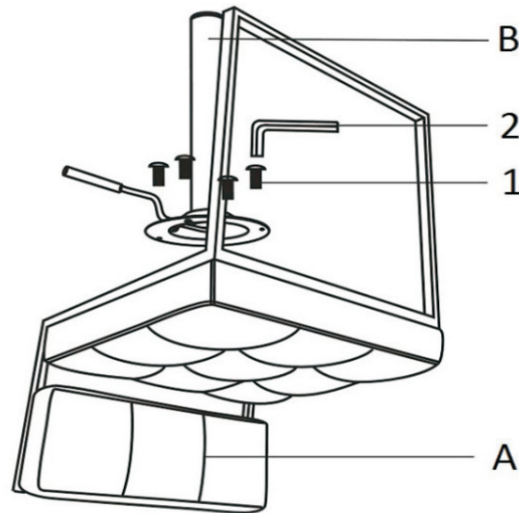
ITEM : 100194 ASSEMBLY INSTRUCTIONS

STEP 1



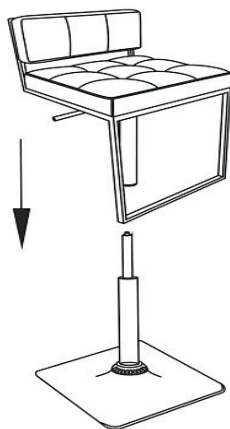
Remove sheath (black cover)
before using

STEP 2

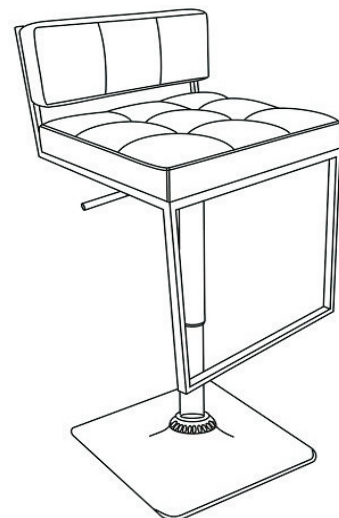


STEP 3

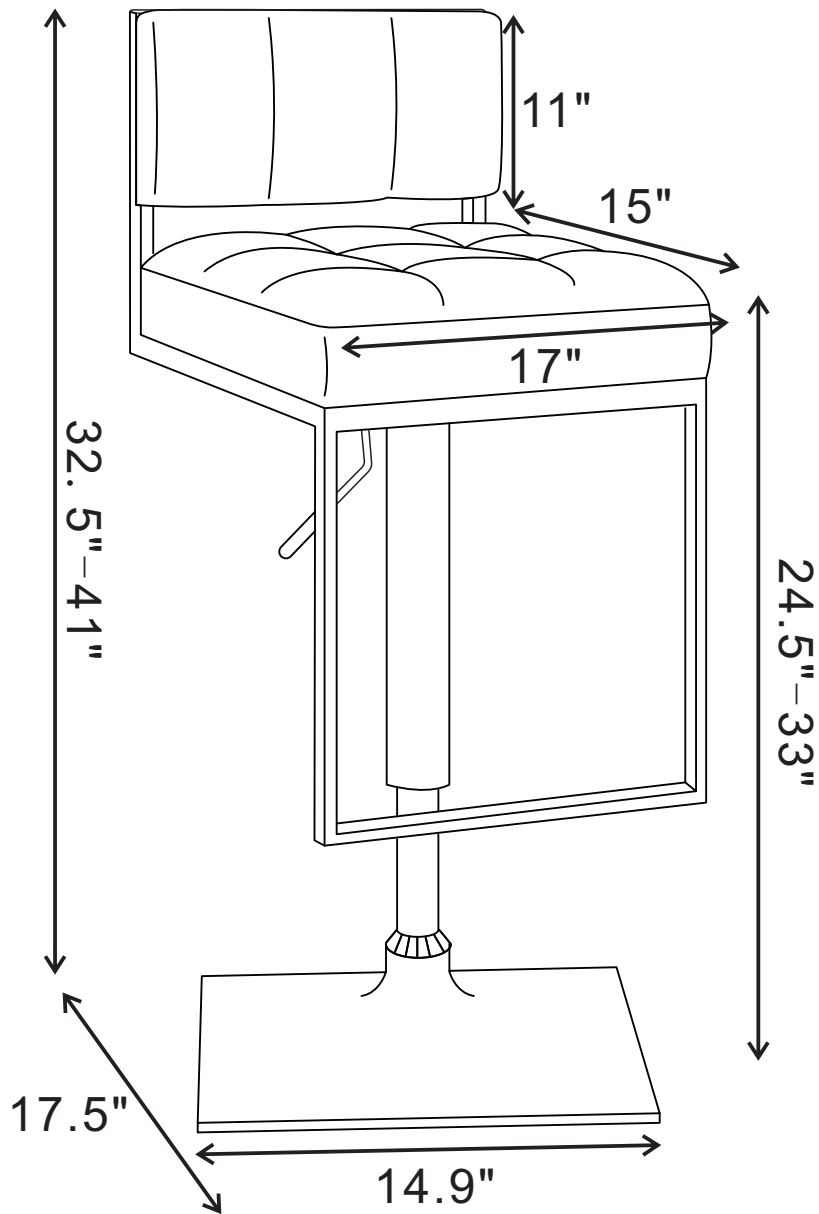
Firmly push top into
gas spring



STEP 4



ITEM : 100194
ASSEMBLY INSTRUCTIONS



Note: Dimension tolerance $\pm 5\%$